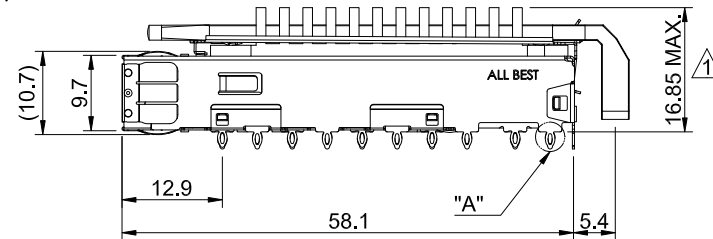
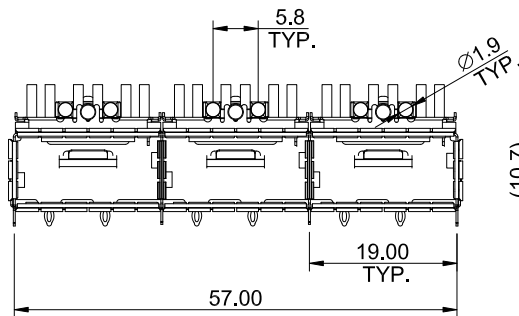


MATERIAL  
 CAGE: NICKEL SILVER  
 HEAT SINK: ALUMINUM  
 HEAT SINK CLIP: STAINLESS STEEL  
 EMI SPRING: STAINLESS STEEL  
 LIGHT PIPE: PC

FINISH  
 HEAT SINK: ANODE PROCESS

NOTE  
 ▲ DIMENSION APPLIES WITH MODULE INSERTED IN CAGE



TITLE: QSFP+ 1X3 Cage Assembly w/ Light Pipe & Heat Sink

DWG#: R-OR-Q3-4CME4

SHEET: 1/4  
 REV. C

UNIT: mm  
 SCALE: A4 1:1

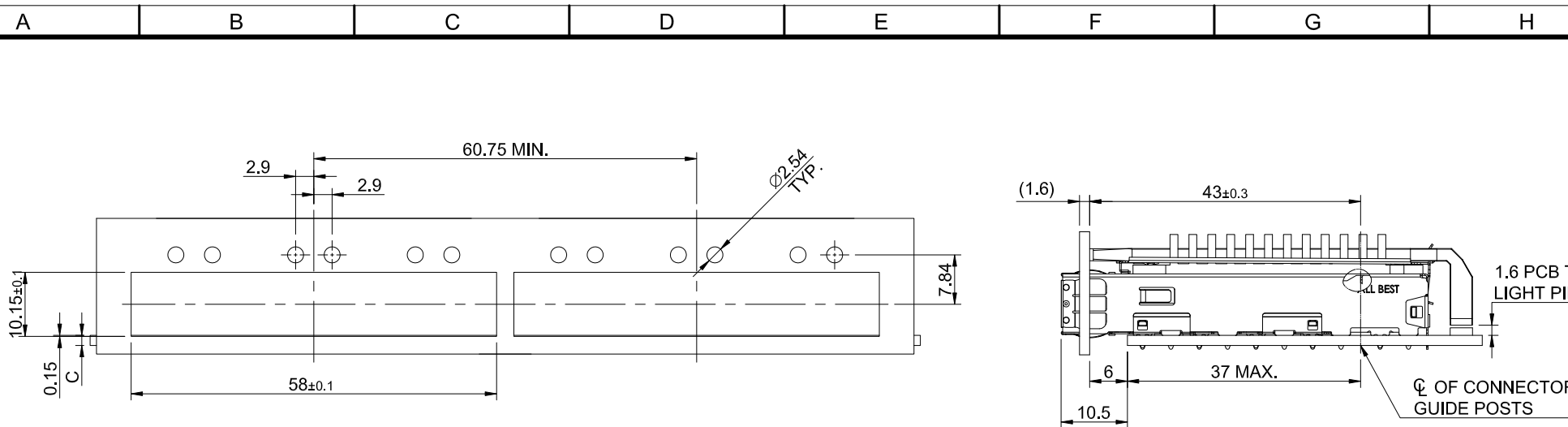
FINISH: CHECKED: Gary Yang

THIRD ANGLE PROJECTION

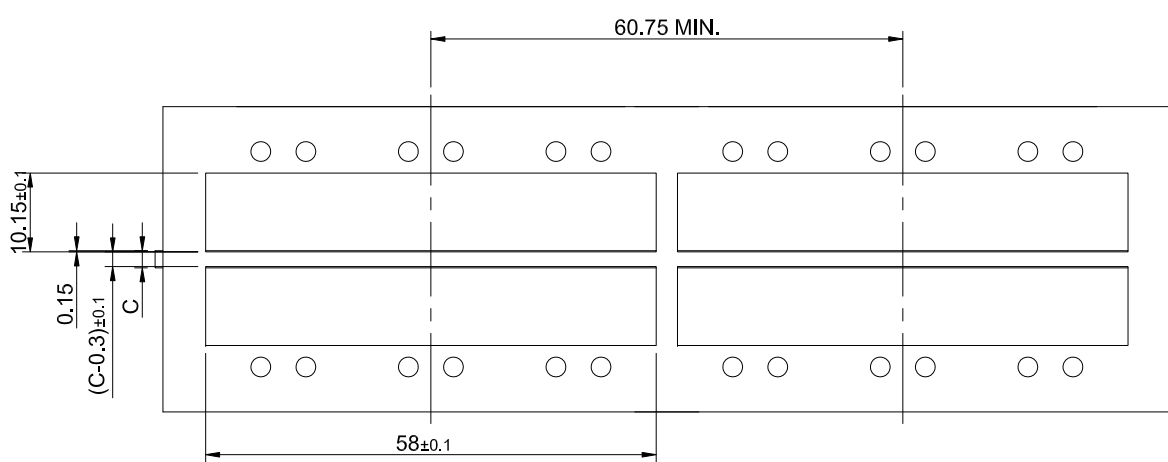
MATERIAL: RoHS Compliant  
 APPROVED: George Yang

TOLERANCE: Angle: ± 1°  
 X.± 0.25 .X± 0.20 .XX± 0.15

DRAWN: Boris  
 DATE: 01/10/2018

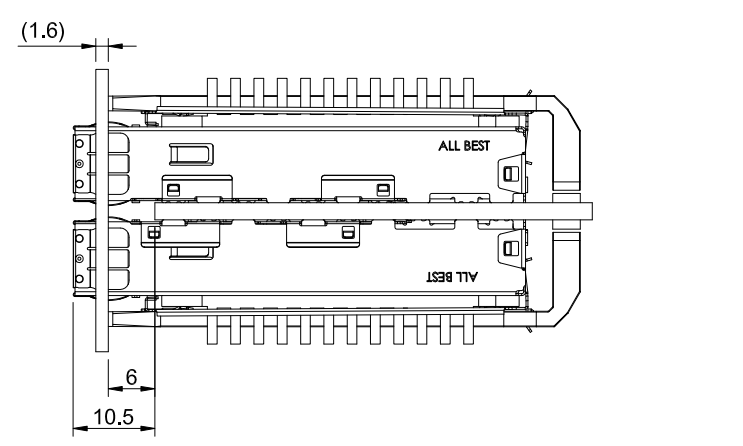



SINGLE-SIDE CONFIGURATION

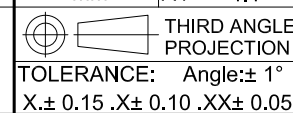


BELLY TO BELLY CONFIGURATION

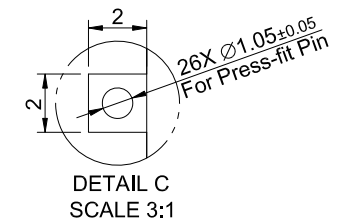
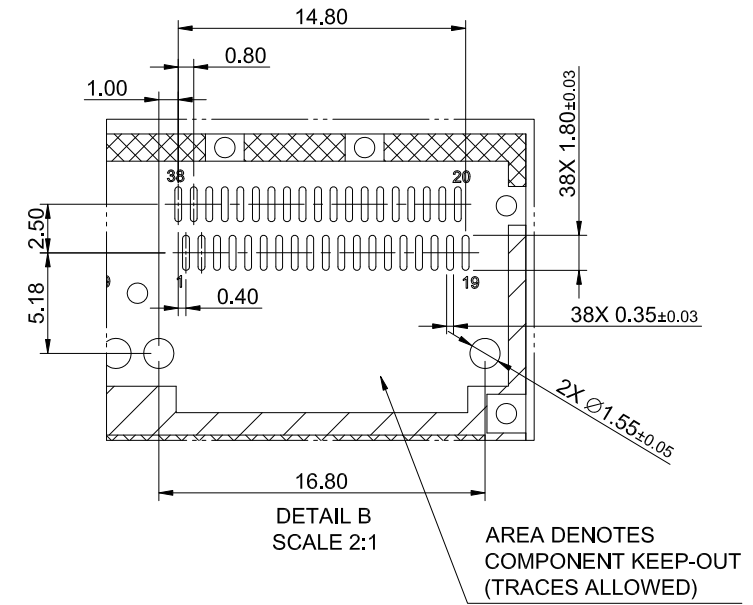
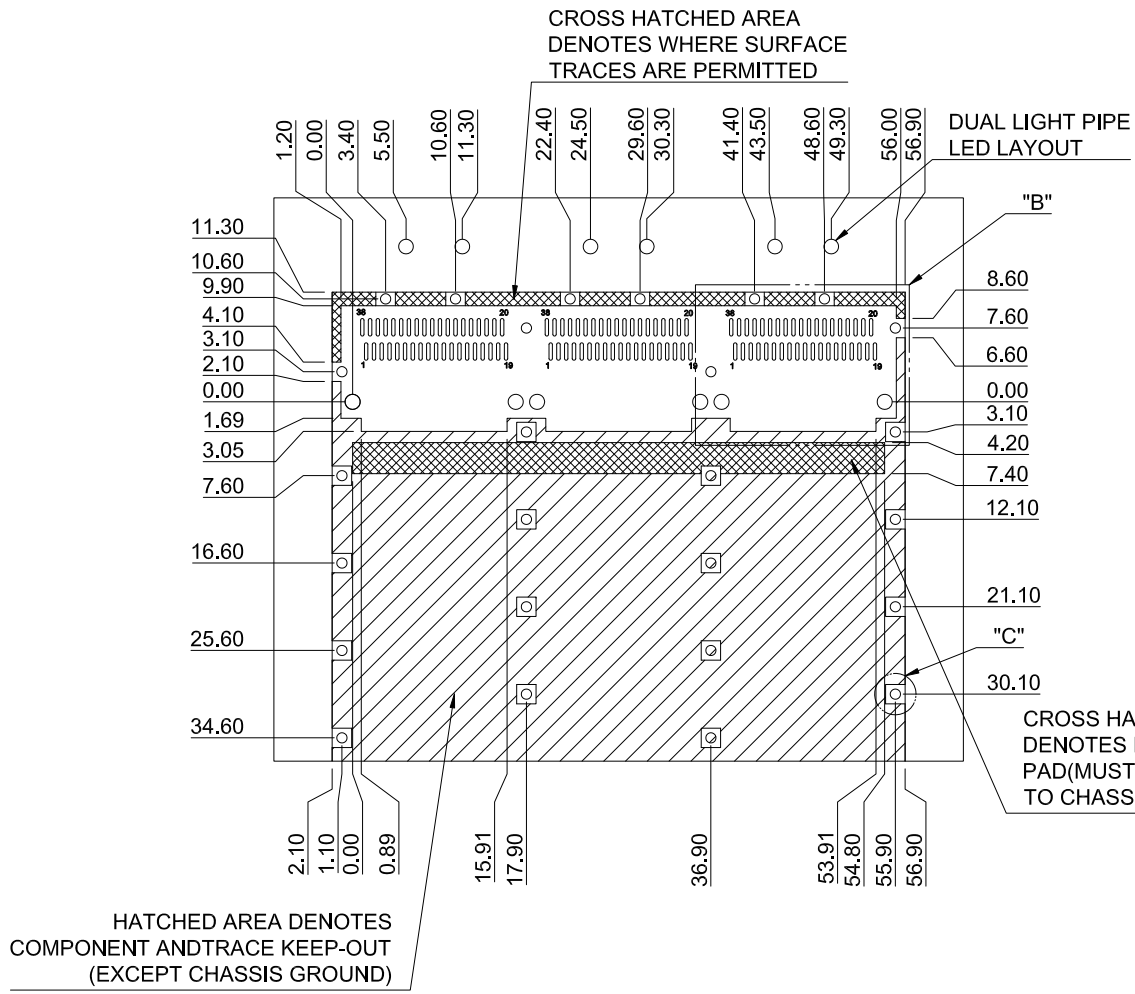
C = THICKNESS OF PC BOARD  
 SINGLE-SIDE = 1.6MM (MIN.)  
 BELLY TO BELLY = 2.2MM (MIN.)



 <b>ALL BEST</b> ALL BEST ELECTRONICS CO., LTD.	<b>TITLE:</b> QSFP+ 1X3 Cage Assembly w/ Light Pipe & Heat Sink		<b>SHEET:</b> 2/4		<b>REV.</b> C
	<b>DWG#:</b> R-OR-Q3-4CME4		<b>CHECKED:</b> Gary Yang		<b>APPROVED:</b> George Yang
	<b>UNIT:</b> mm	<b>SCALE:</b> A4 1:1	<b>FINISH:</b>	<b>MATERIAL:</b> RoHS Compliant	
	<b>TOLERANCE:</b> X.± 0.15 .X± 0.10 .XX± 0.05		<b>DRAWN:</b> Boris	<b>DATE:</b> 01/10/2018	

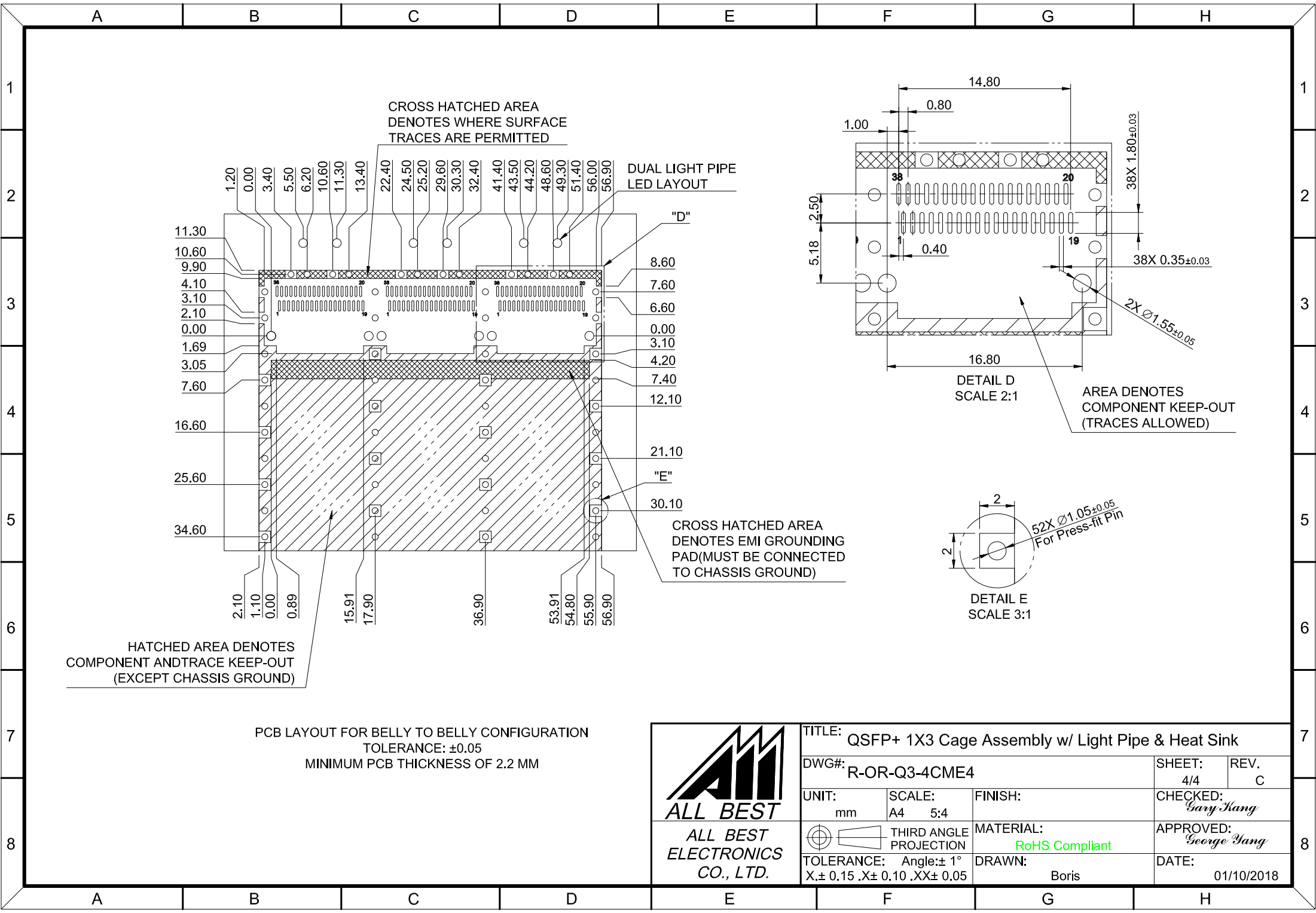


THIRD ANGLE PROJECTION  
 Angle: ± 1°  
 X.± 0.15 .X± 0.10 .XX± 0.05



PCB LAYOUT FOR SINGLE-SIDE CONFIGURATION  
TOLERANCE: ±0.05  
MINIMUM PCB THICKNESS OF 1.6 MM

		TITLE: QSFP+ 1X3 Cage Assembly w/ Light Pipe & Heat Sink	
		DWG#: R-OR-Q3-4CME4	SHEET: 3/4 REV. C
UNIT: mm	SCALE: A4 5:4	FINISH:	CHECKED: Gary Kang
THIRD ANGLE PROJECTION		MATERIAL: RoHS Compliant	APPROVED: George Kang
TOLERANCE: Angle: ±1° X±0.15 .X±0.10 .XX±0.05		DRAWN: Boris	DATE: 01/10/2018



HATCHED AREA DENOTES  
COMPONENT AND TRACE KEEP-OUT  
(EXCEPT CHASSIS GROUND)

CROSS HATCHED AREA  
DENOTES WHERE SURFACE  
TRACES ARE PERMITTED

DUAL LIGHT PIPE  
LED LAYOUT

CROSS HATCHED AREA  
DENOTES EMI GROUNDING  
PAD (MUST BE CONNECTED  
TO CHASSIS GROUND)

AREA DENOTES  
COMPONENT KEEP-OUT  
(TRACES ALLOWED)

DETAIL E  
SCALE 3:1

PCB LAYOUT FOR BELLY TO BELLY CONFIGURATION  
TOLERANCE: ±0.05  
MINIMUM PCB THICKNESS OF 2.2 MM



TITLE: QSFP+ 1X3 Cage Assembly w/ Light Pipe & Heat Sink			
DWG#: R-OR-Q3-4CME4		SHEET: 4/4	REV. C
UNIT: mm	SCALE: A4 5:4	FINISH:	CHECKED: Gary Kang
THIRD ANGLE PROJECTION		MATERIAL: RoHS Compliant	APPROVED: George Yang
TOLERANCE: Angle: ±1° X: ±0.15 .X±0.10 .XX±0.05		DRAWN: Boris	DATE: 01/10/2018