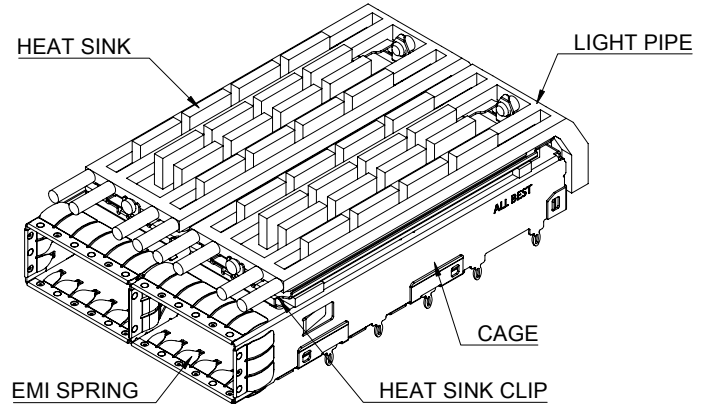


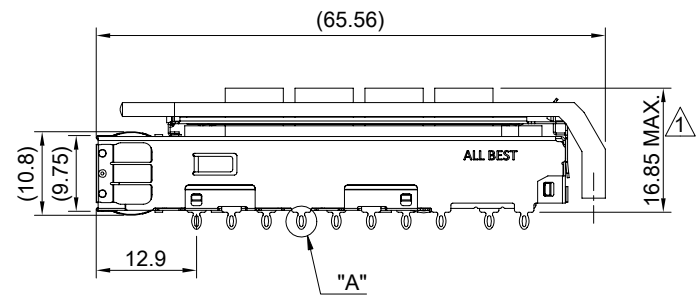
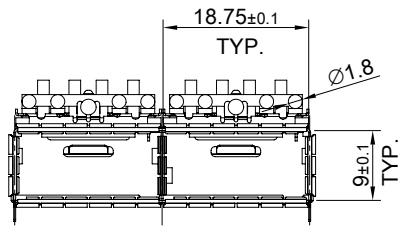
DETAIL A
SCALE 4:1



MATERIAL
 CAGE: NICKEL SILVER
 EMI SPRING: STAINLESS STEEL
 HEAT SINK: ALUMINUM
 HEAT SINK CLIP: STAINLESS STEEL
 LIGHT PIPE: PC

FINISH
 HEAT SINK: ANODE PROCESS

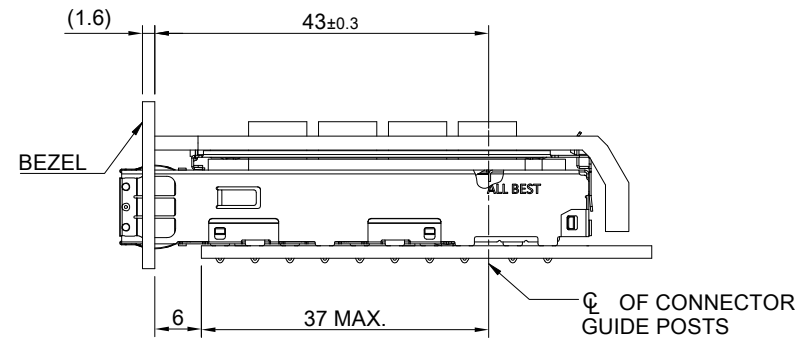
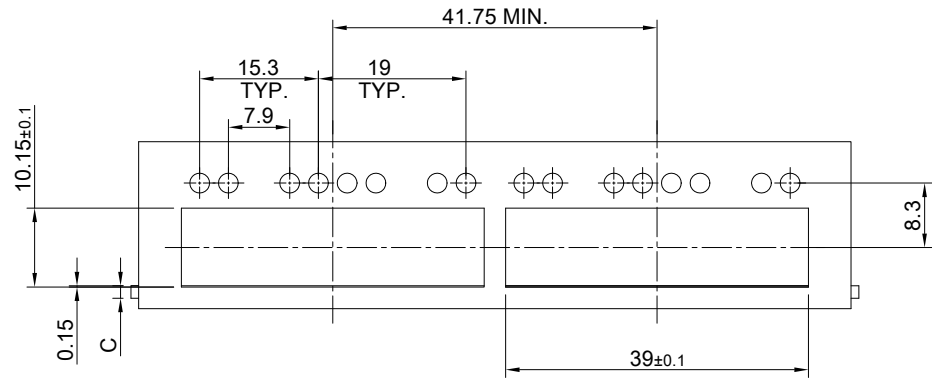
NOTE
 ▲ DIMENSION APPLIES WITH MODULE INSERTED IN CAGE



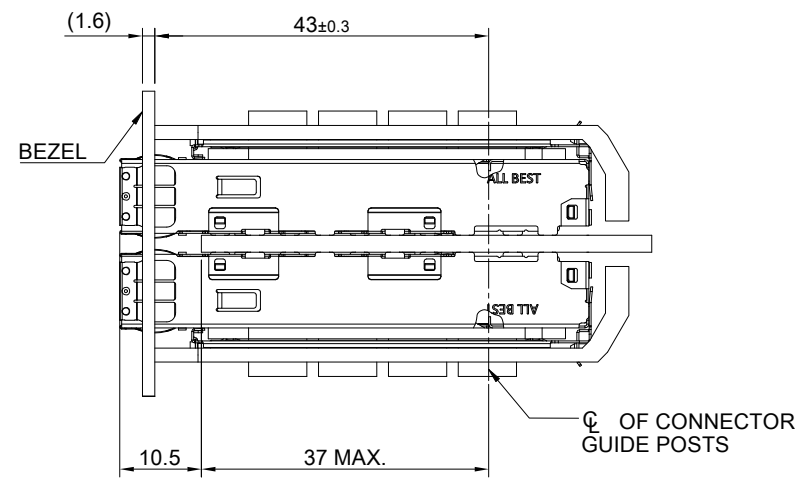
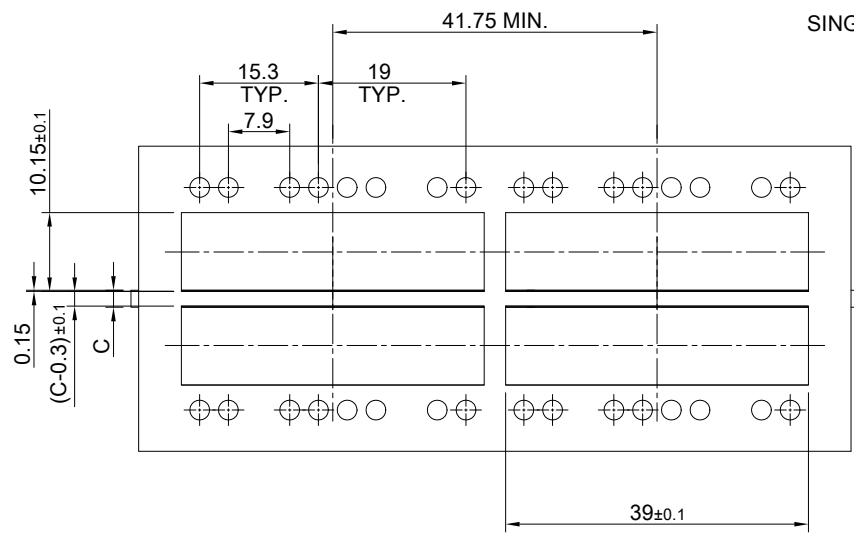
THIS PRINT IS
PRELIMINARY
 UNQUALIFIED PRODUCT
 CONTACT PRODUCT ENGINEERING
 BEFORE USING THIS PRINT



TITLE: QSFP28 1X2 Cage Assembly w/ SAN Heat Sink & Light Pipe			
DWG#: R-OR-ZQ2-4CMEH-MK		SHEET: 1/4	REV. REF
UNIT: mm	SCALE: A4 1:1	CHECKED:	
TOLERANCE: Angle: ± 1° X.± 0.25 .X± 0.20 .XX± 0.15		MATERIAL: RoHS Compliant	APPROVED:
THIRD ANGLE PROJECTION		DRAWN: Gary	DATE: 03/25/2024




SINGLE-SIDE CONFIGURATION



BELLY TO BELLY CONFIGURATION

C = THICKNESS OF PC BOARD
 SINGLE-SIDE = 1.6MM (MIN.)
 BELLY TO BELLY = 2.2MM (MIN.)

THIS PRINT IS
PRELIMINARY
 UNQUALIFIED PRODUCT
 CONTACT PRODUCT ENGINEERING
 BEFORE USING THIS PRINT

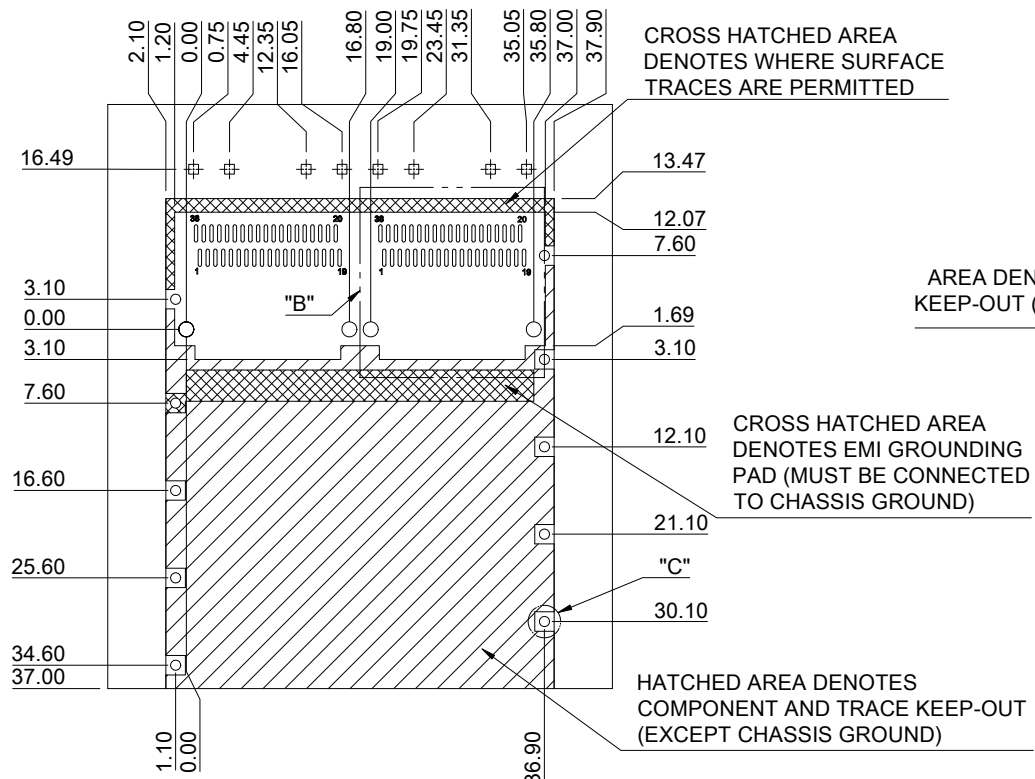
 ALL BEST ELECTRONICS CO., LTD.	TITLE: QSFP28 1X2 Cage Assembly w/ SAN Heat Sink & Light Pipe		SHEET: 2/4	REV. REF
	DWG#: R-OR-ZQ2-4CMEH-MK		CHECKED:	APPROVED:
	UNIT: mm	SCALE: A4 1:1	FINISH:	MATERIAL: RoHS Compliant
	TOLERANCE: Angle: ± 1° X ± 0.15 .X ± 0.10 .XX ± 0.05		DRAWN: Gary	DATE: 03/25/2024

PRELIMINARY

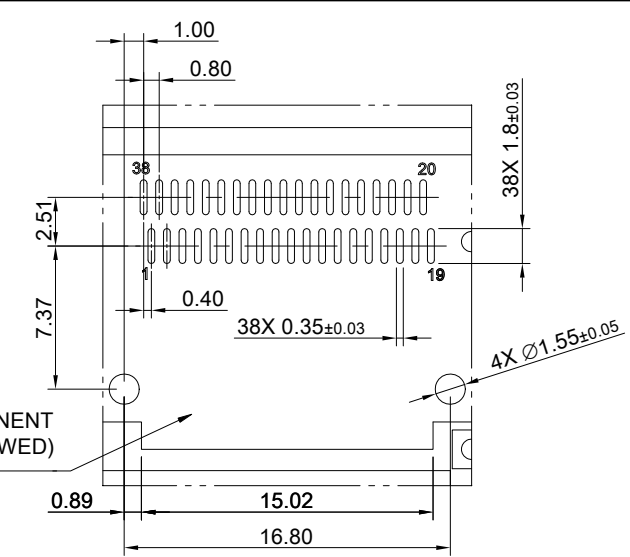
ALL BEST
ELECTRONICS
CO., LTD.

THIRD ANGLE
 PROJECTION
 TOLERANCE: Angle: ± 1°
 X ± 0.15 .X ± 0.10 .XX ± 0.05

SHEET: 2/4
 REV. REF
 CHECKED:
 APPROVED:
 MATERIAL: RoHS Compliant
 DRAWN: Gary
 DATE: 03/25/2024

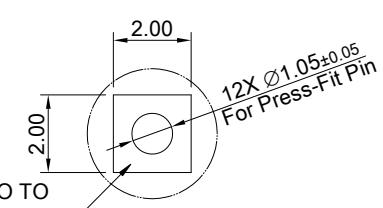


PCB LAYOUT FOR SINGLE-SIDE CONFIGURATION
 TOLERANCE: ± 0.05
 MINIMUM PCB THICKNESS OF 1.6 MM



AREA DENOTES COMPONENT
 KEEP-OUT (TRACES ALLOWED)

DETAIL B
 SCALE 2:1

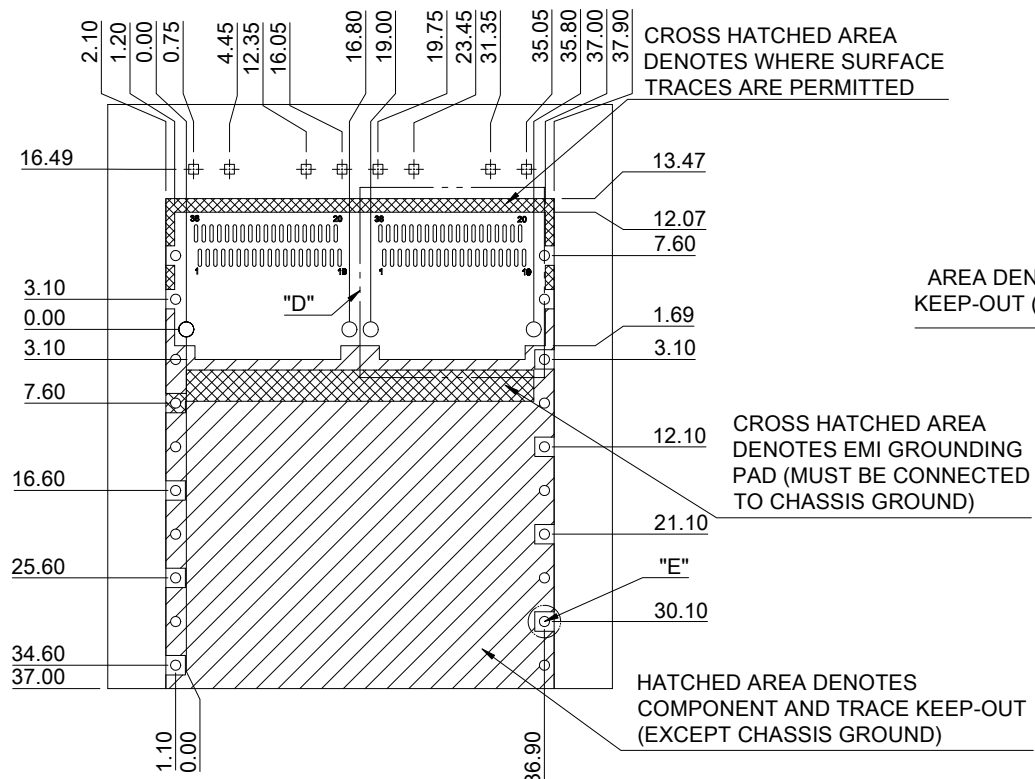


PADS AND VIAS GO TO
 CHASSIS GROUND

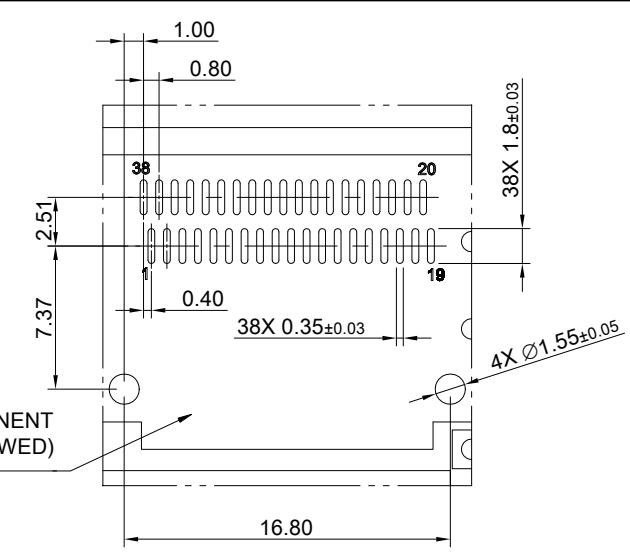
DETAIL C
 SCALE 4:1

THIS PRINT IS
PRELIMINARY
 UNQUALIFIED PRODUCT
 CONTACT PRODUCT ENGINEERING
 BEFORE USING THIS PRINT

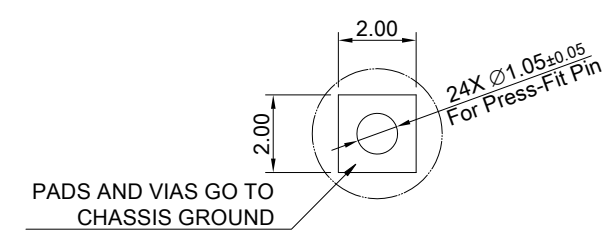
	TITLE: QSFP28 1X2 Cage Assembly w/ SAN Heat Sink & Light Pipe		SHEET: 3/4		REV. REF	
	DWG#: R-OR-ZQ2-4CMEH-MK		CHECKED:		APPROVED:	
UNIT: mm	SCALE: A4 5:4	FINISH:		MATERIAL: RoHS Compliant		DATE: 03/25/2024
TOLERANCE: Angle: $\pm 1^\circ$ X: ± 0.15 .X: ± 0.10 .XX: ± 0.05		THIRD ANGLE PROJECTION		DRAWN: Gary		



PCB LAYOUT FOR BELLY TO BELLY CONFIGURATION
 TOLERANCE: ± 0.05
 MINIMUM PCB THICKNESS OF 2.2 MM



DETAIL D
SCALE 2:1



DETAIL E
SCALE 4:1

PADS AND VIAS GO TO CHASSIS GROUND

THIS PRINT IS
PRELIMINARY
 UNQUALIFIED PRODUCT
 CONTACT PRODUCT ENGINEERING
 BEFORE USING THIS PRINT



TITLE: QSFP28 1X2 Cage Assembly w/ SAN Heat Sink & Light Pipe			
DWG#: R-OR-ZQ2-4CMEH-MK		SHEET: 4/4	REV. REF
UNIT: mm	SCALE: A4 5:4	CHECKED:	
TOLERANCE: Angle: $\pm 1^\circ$ X ± 0.15 .X ± 0.10 .XX ± 0.05		MATERIAL: RoHS Compliant	APPROVED:
THIRD ANGLE PROJECTION		DRAWN: Gary	DATE: 03/25/2024