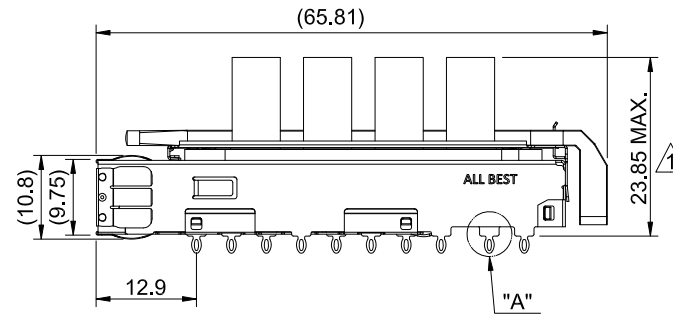
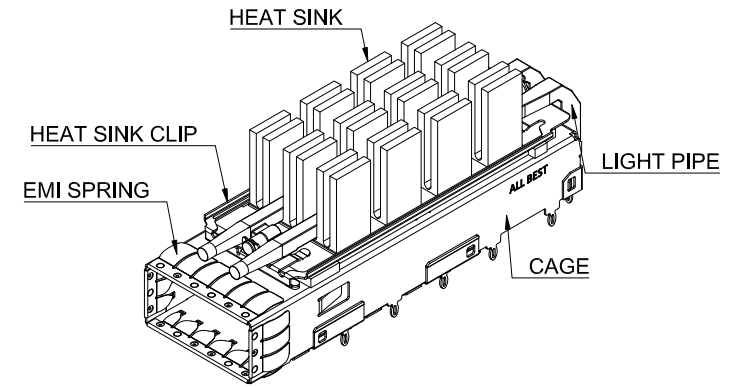



DETAIL A  
SCALE 5:1

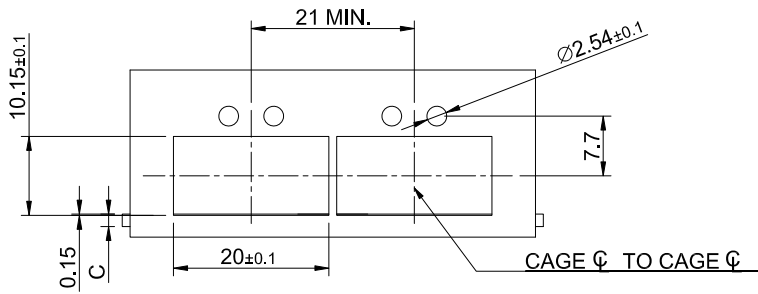


MATERIAL  
 CAGE: NICKEL SILVER  
 EMI SPRING: STAINLESS STEEL  
 HEAT SINK: ALUMINUM  
 HEAT SINK CLIP: STAINLESS STEEL  
 LIGHT PIPE: PC

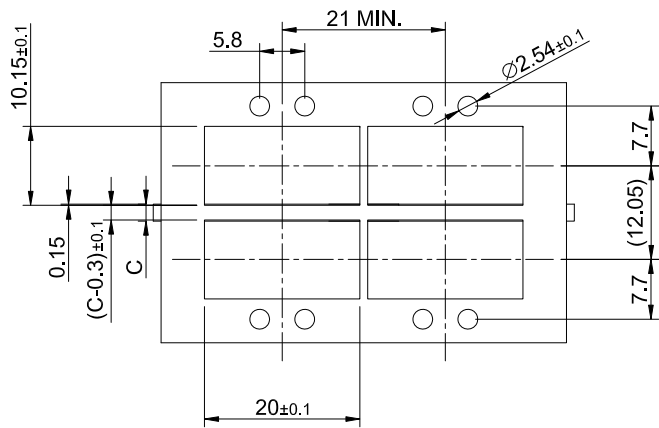
FINISH  
 HEAT SINK: ANODE PROCESS

NOTE  
 ⚠ DIMENSION APPLIES WITH MODULE INSERTED IN CAGE

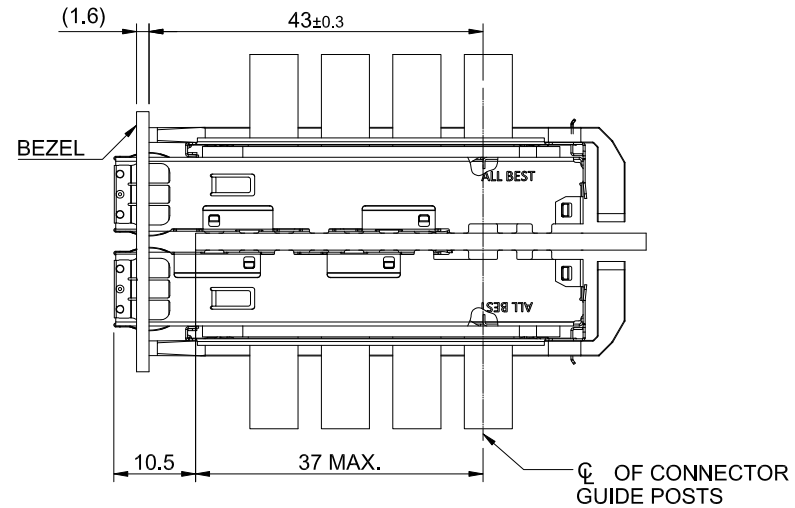
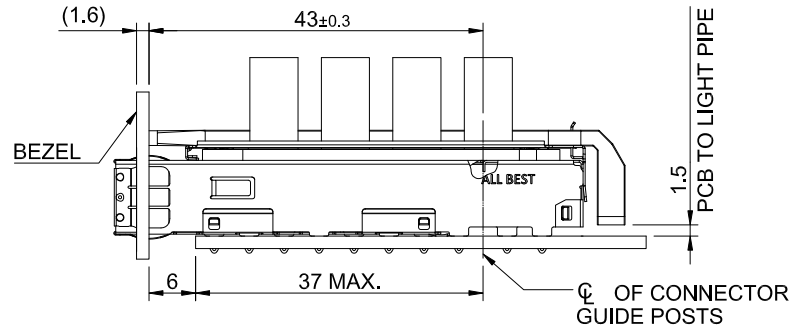
 <b>ALL BEST</b> ALL BEST ELECTRONICS CO., LTD.	TITLE: QSFP28 1X1 Cage Assembly w/ Heat Sink & Light Pipe		SHEET: 1/4		REV. B
	DWG#: R-OR-ZQ1-4CMED-MK		CHECKED: Gary Yang		APPROVED: George Yang
	UNIT: mm	SCALE: A4 1:1	FINISH: RoHS Compliant	DATE: 02/12/2019	
	TOLERANCE: X± 0.25 .X± 0.20 .XX± 0.15 THIRD ANGLE PROJECTION Angle: ± 1°		DRAWN: Laura		



SINGLE-SIDE CONFIGURATION



BELLY TO BELLY CONFIGURATION



C = THICKNESS OF PC BOARD  
 SINGLE-SIDE = 1.6MM (MIN.)  
 BELLY TO BELLY = 2.2MM (MIN.)



TITLE: QSFP28 1X1 Cage Assembly w/ Heat Sink & Light Pipe

DWG#: R-OR-ZQ1-4CMED-MK

SHEET: 2/4  
 REV. B

UNIT: mm  
 SCALE: A4 1:1

FINISH: RoHS Compliant

CHECKED: Gary Yang

THIRD ANGLE PROJECTION

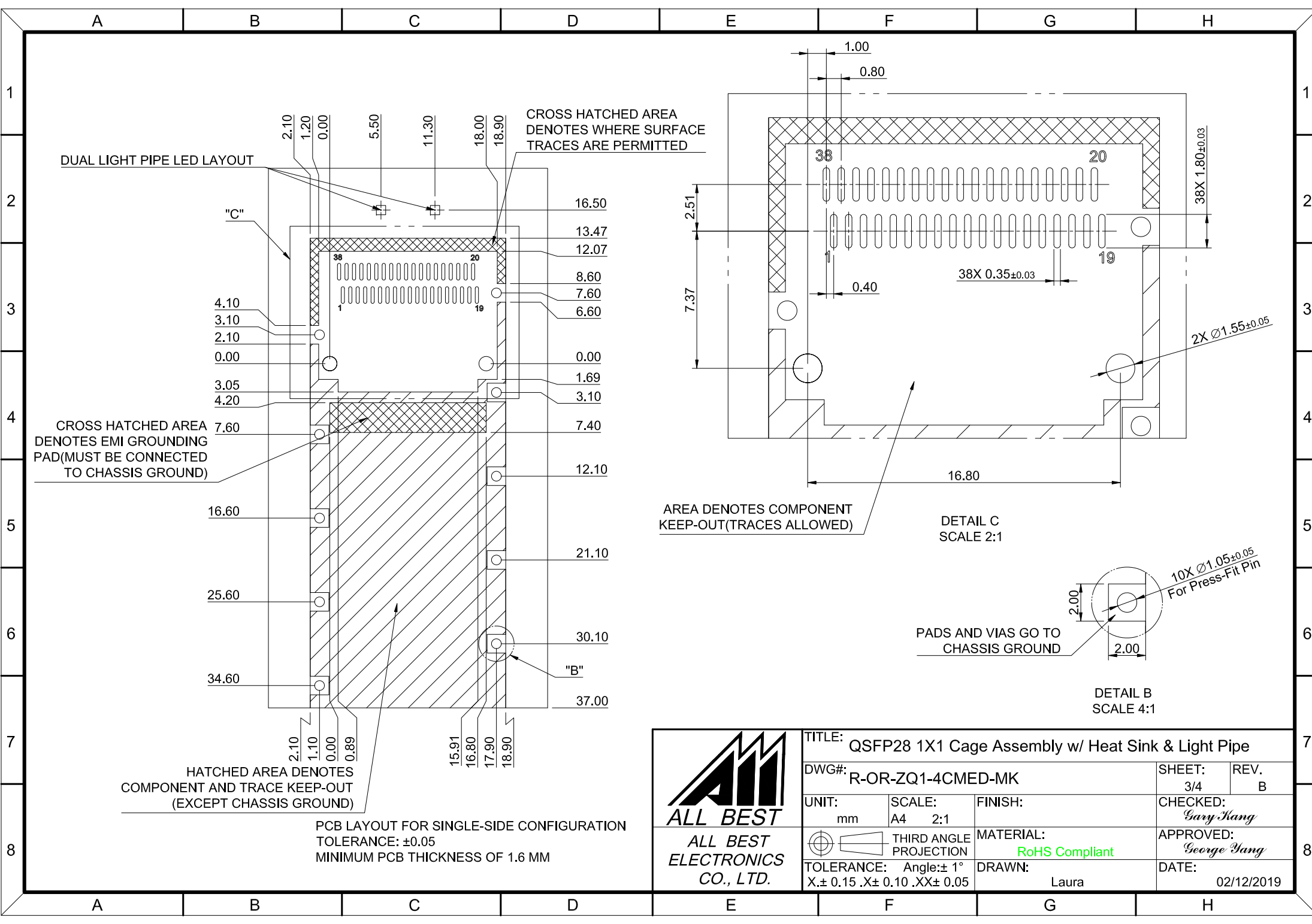
MATERIAL: RoHS Compliant

APPROVED: George Yang

TOLERANCE: Angle: ± 1°  
 X.± 0.15 .X± 0.10 .XX± 0.05

DRAWN: Laura

DATE: 02/12/2019



DUAL LIGHT PIPE LED LAYOUT

CROSS HATCHED AREA DENOTES EMI GROUNDING PAD (MUST BE CONNECTED TO CHASSIS GROUND)

HATCHED AREA DENOTES COMPONENT AND TRACE KEEP-OUT (EXCEPT CHASSIS GROUND)

CROSS HATCHED AREA DENOTES WHERE SURFACE TRACES ARE PERMITTED


AREA DENOTES COMPONENT KEEP-OUT (TRACES ALLOWED)

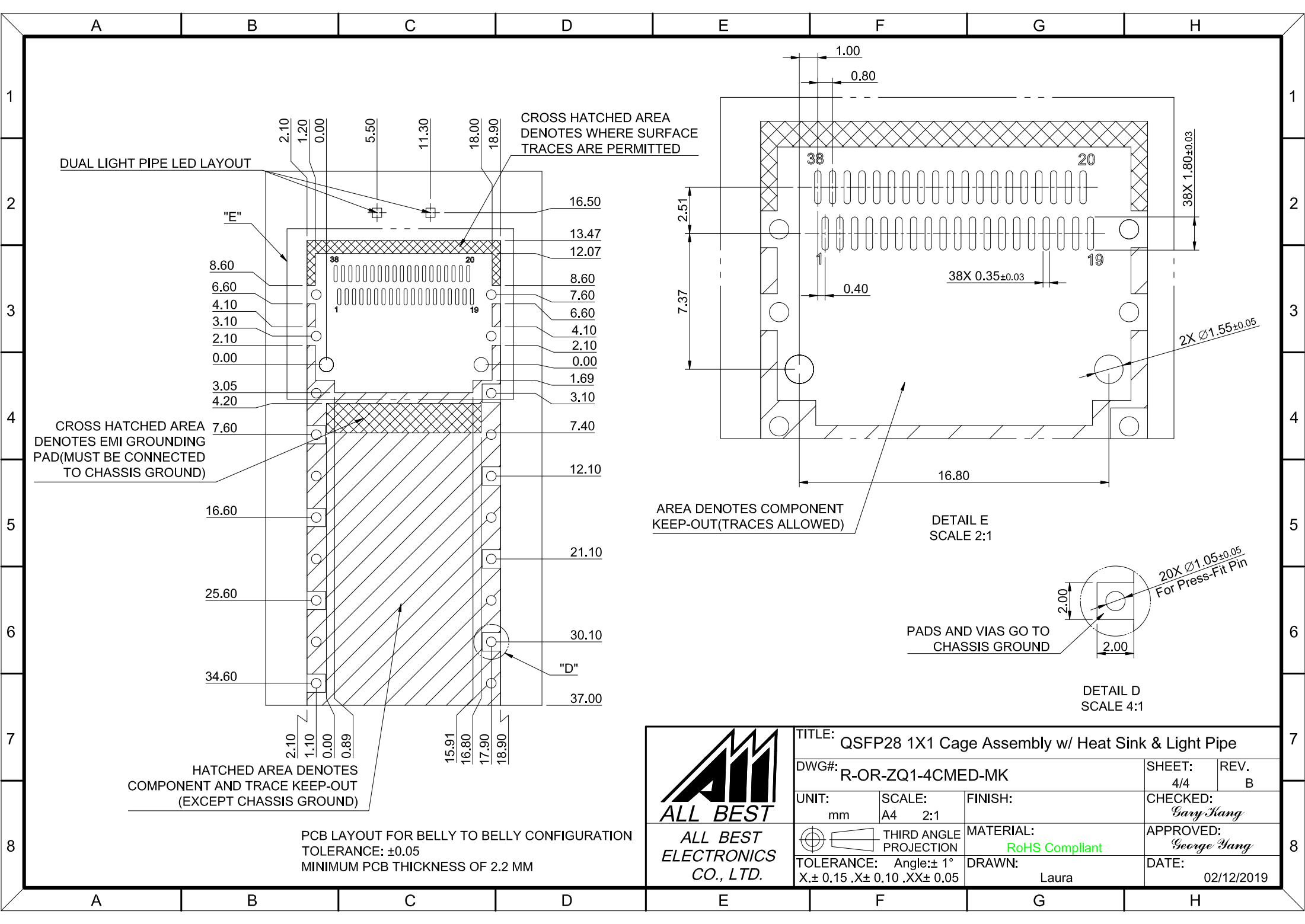
DETAIL C SCALE 2:1

DETAIL B SCALE 4:1

PADS AND VIAS GO TO CHASSIS GROUND

PCB LAYOUT FOR SINGLE-SIDE CONFIGURATION  
TOLERANCE: ±0.05  
MINIMUM PCB THICKNESS OF 1.6 MM

 <b>ALL BEST ELECTRONICS CO., LTD.</b>	TITLE: QSFP28 1X1 Cage Assembly w/ Heat Sink & Light Pipe		SHEET: 3/4	REV. B
	DWG#: R-OR-ZQ1-4CMED-MK		CHECKED: Gary Yang	
	UNIT: mm	SCALE: A4 2:1	FINISH:	APPROVED: George Yang
	TOLERANCE: X±0.15 .X±0.10 .XX±0.05		MATERIAL: RoHS Compliant	DATE: 02/12/2019
THIRD ANGLE PROJECTION		DRAWN: Laura		



<p><b>ALL BEST</b> ELECTRONICS CO., LTD.</p>	TITLE: QSFP28 1X1 Cage Assembly w/ Heat Sink & Light Pipe		SHEET: 4/4	REV. B	
	DWG#: R-OR-ZQ1-4CMED-MK		CHECKED: Gary Yang		
	UNIT: mm	SCALE: A4 2:1	FINISH:	APPROVED: George Yang	
	THIRD ANGLE PROJECTION		MATERIAL: RoHS Compliant	DATE: 02/12/2019	
	TOLERANCE: Angle: $\pm 1^\circ$ X: $\pm 0.15$ , .X: $\pm 0.10$ , .XX: $\pm 0.05$		DRAWN: Laura		