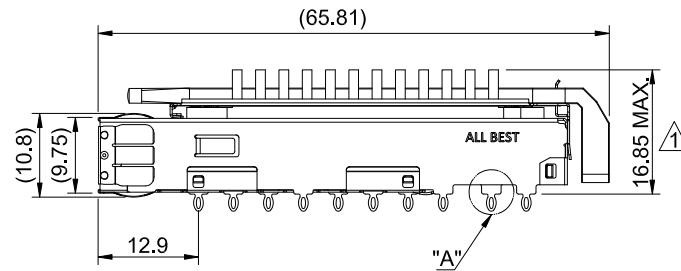
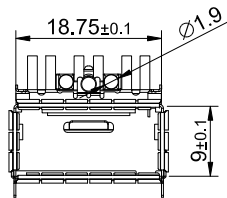
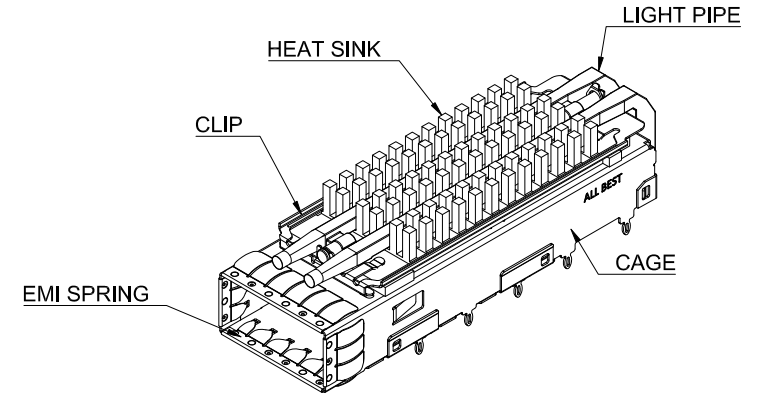


DETAIL A  
SCALE 5:1



MATERIAL  
 CAGE: NICKEL SILVER  
 EMI SPRING: STAINLESS STEEL  
 HEAT SINK: ALUMINUM  
 HEAT SINK CLIP: STAINLESS STEEL  
 LIGHT PIPE: PC

FINISH  
 HEAT SINK: ANODE PROCESS

NOTE  
 ▲ DIMENSION APPLIES WITH MODULE INSERTED IN CAGE



TITLE: QSFP28 1X1 Cage w/ Heat Sink (SAN) & Light Pipe

DWG#: R-OR-ZQ1-4CMEA-MK

SHEET: 1/4  
 REV. C

UNIT: mm  
 SCALE: A4 1:1

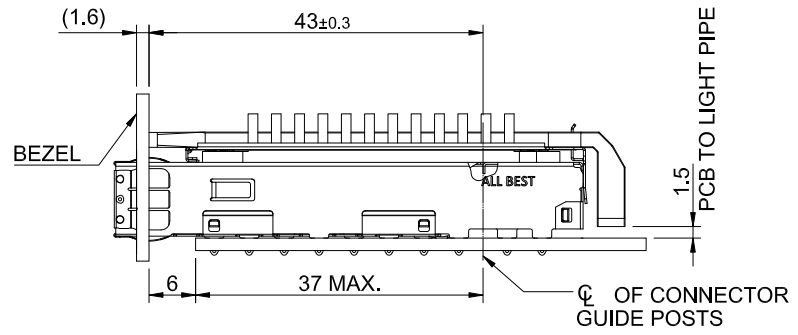
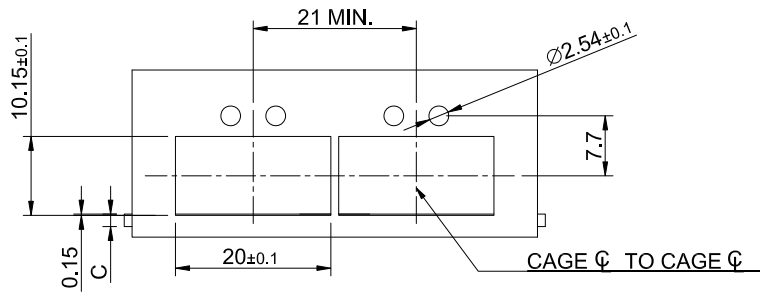
FINISH: CHECKED: Gary Yang

THIRD ANGLE PROJECTION

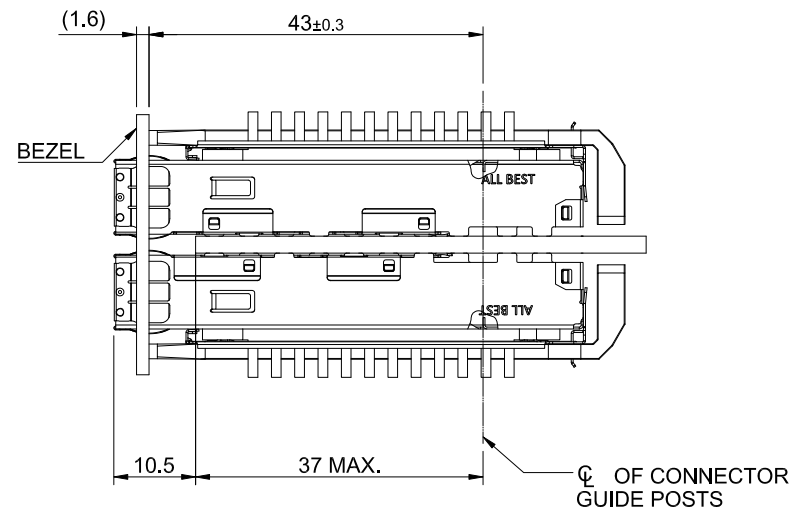
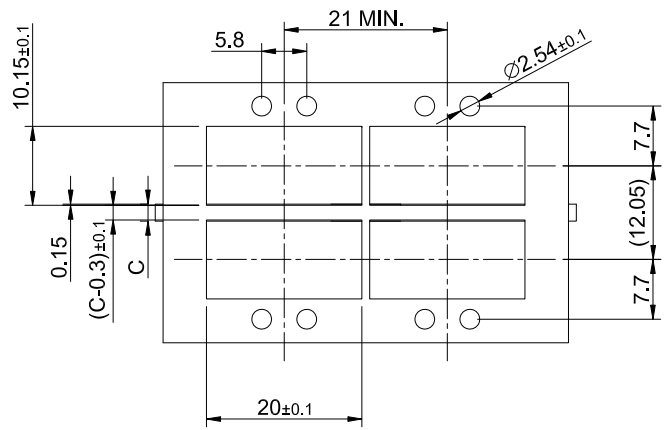
MATERIAL: RoHS Compliant  
 APPROVED: George Yang

TOLERANCE: Angle: ± 1°  
 X.± 0.25 .X± 0.20 .XX± 0.15

DRAWN: Laura  
 DATE: 01/29/2019




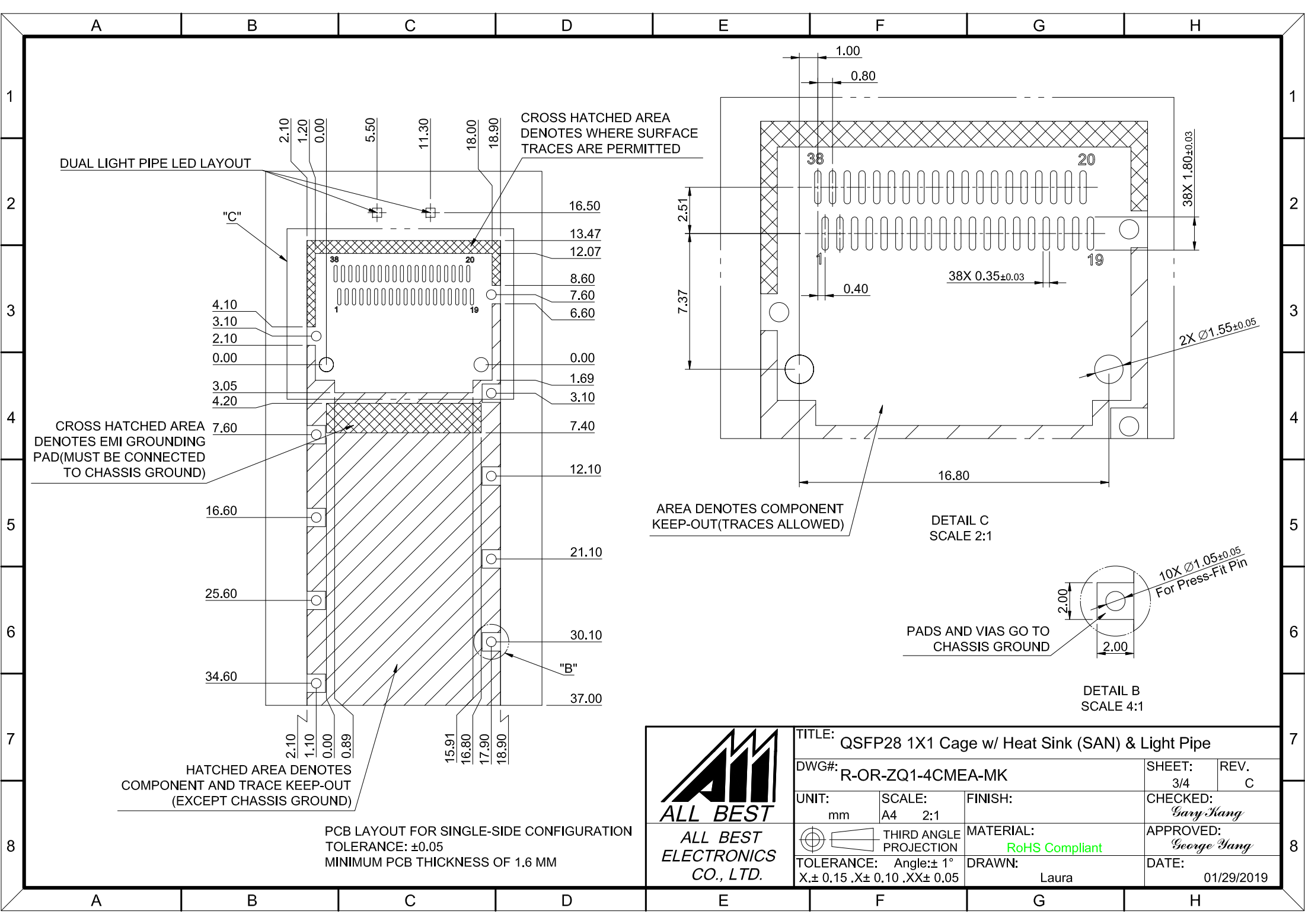
SINGLE-SIDE CONFIGURATION



BELLY TO BELLY CONFIGURATION

C = THICKNESS OF PC BOARD  
 SINGLE-SIDE = 1.6MM (MIN.)  
 BELLY TO BELLY = 2.2MM (MIN.)

	TITLE: QSFP28 1X1 Cage w/ Heat Sink (SAN) & Light Pipe		SHEET: 2/4	REV. C
	DWG#: R-OR-ZQ1-4CMEA-MK		CHECKED: Gary Yang	
	UNIT: mm	SCALE: A4 1:1	MATERIAL: RoHS Compliant	APPROVED: George Yang
	TOLERANCE: Angle: ± 1° X.± 0.15 .X± 0.10 .XX± 0.05		DRAWN: Laura	DATE: 01/29/2019



DUAL LIGHT PIPE LED LAYOUT

CROSS HATCHED AREA DENOTES WHERE SURFACE TRACES ARE PERMITTED

CROSS HATCHED AREA DENOTES EMI GROUNDING PAD (MUST BE CONNECTED TO CHASSIS GROUND)

HATCHED AREA DENOTES COMPONENT AND TRACE KEEP-OUT (EXCEPT CHASSIS GROUND)

PCB LAYOUT FOR SINGLE-SIDE CONFIGURATION  
TOLERANCE: ±0.05  
MINIMUM PCB THICKNESS OF 1.6 MM


AREA DENOTES COMPONENT KEEP-OUT (TRACES ALLOWED)

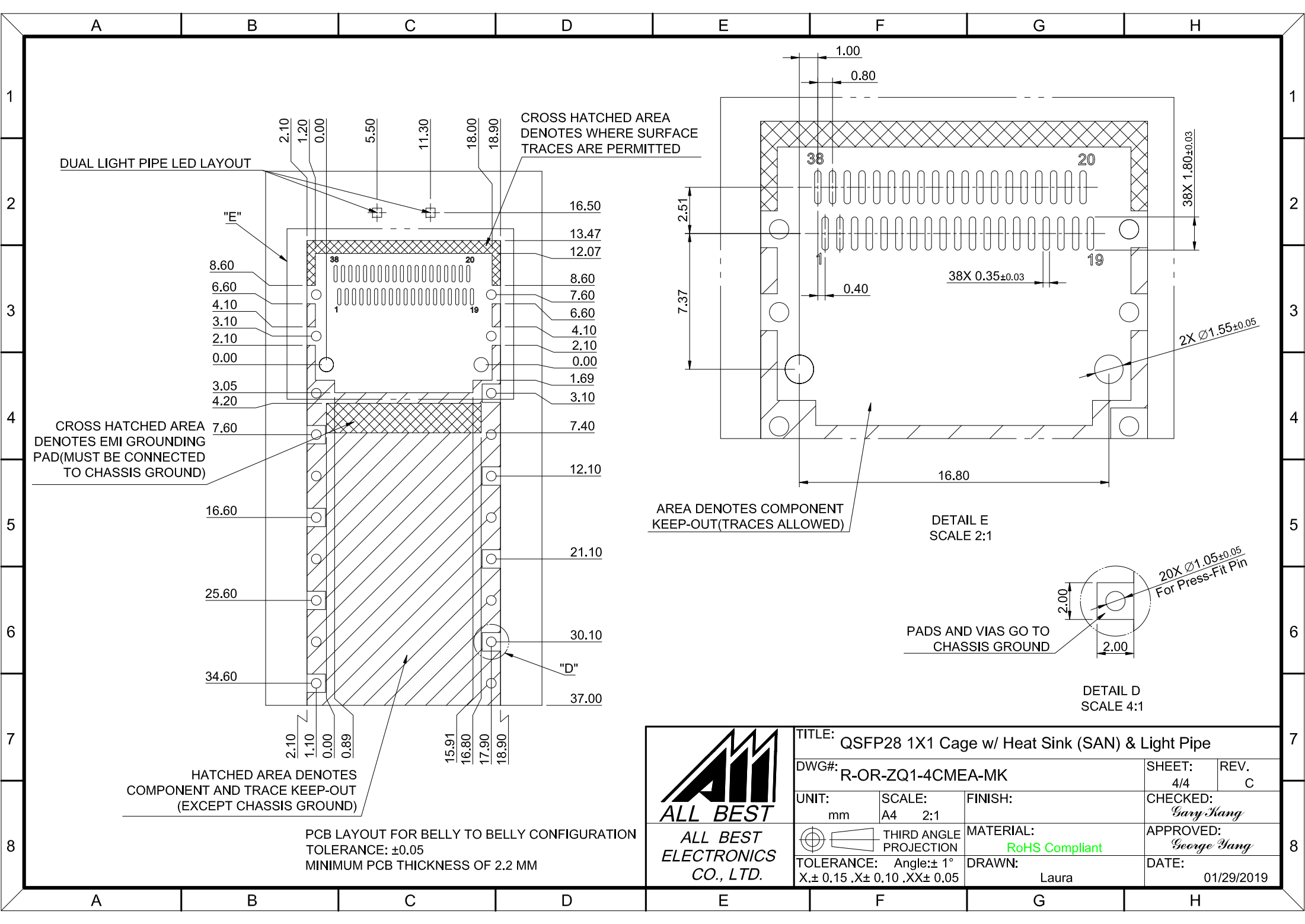
DETAIL C  
SCALE 2:1

PADS AND VIAS GO TO CHASSIS GROUND

DETAIL B  
SCALE 4:1

10X Ø1.05±0.05  
For Press-Fit Pin

 <b>ALL BEST</b> ALL BEST ELECTRONICS CO., LTD.	TITLE: QSFP28 1X1 Cage w/ Heat Sink (SAN) & Light Pipe		SHEET: 3/4	REV. C	
	DWG#: R-OR-ZQ1-4CMEA-MK		CHECKED: Gary Yang		
	UNIT: mm	SCALE: A4 2:1	APPROVED: George Yang		
	TOLERANCE: Angle: ±1° X.± 0.15 .X± 0.10 .XX± 0.05		MATERIAL: RoHS Compliant	DATE: 01/29/2019	
	THIRD ANGLE PROJECTION		DRAWN: Laura		



<p><b>ALL BEST ELECTRONICS CO., LTD.</b></p>	<b>TITLE:</b> QSFP28 1X1 Cage w/ Heat Sink (SAN) & Light Pipe		<b>SHEET:</b> 4/4		<b>REV.</b> C
	<b>DWG#:</b> R-OR-ZQ1-4CMEA-MK		<b>CHECKED:</b> Gary Yang		<b>APPROVED:</b> George Yang
	<b>UNIT:</b> mm	<b>SCALE:</b> A4 2:1	<b>FINISH:</b>	<b>DATE:</b> 01/29/2019	
	<b>MATERIAL:</b> RoHS Compliant		<b>DRAWN:</b> Laura		
	<b>TOLERANCE:</b> Angle: ±1° X: ±0.15 .X±0.10 .XX±0.05		<b>THIRD ANGLE PROJECTION</b>		