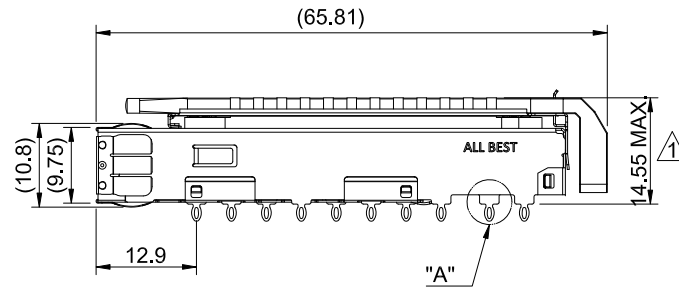
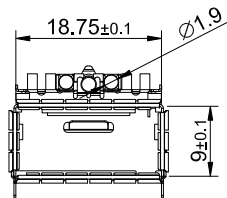
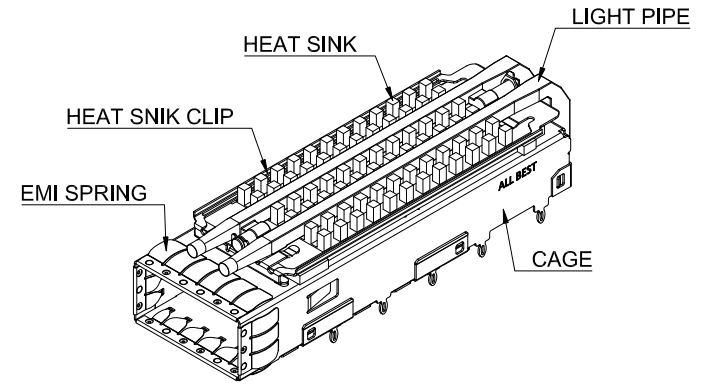


DETAIL A
SCALE 5:1

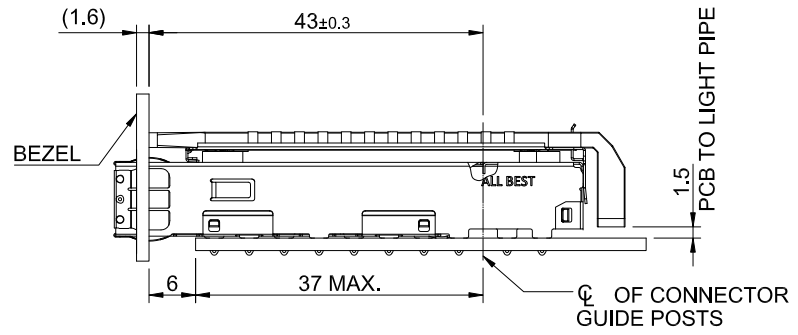
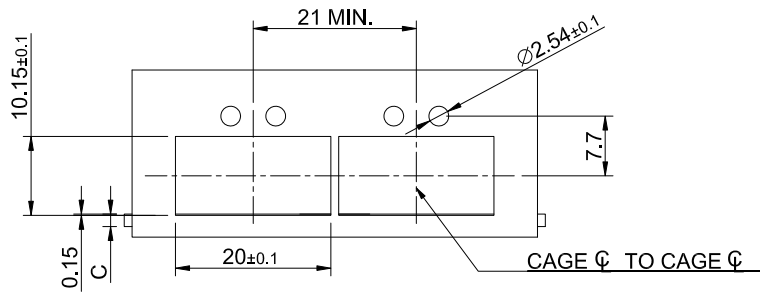


MATERIAL
 CAGE: NICKEL SILVER
 EMI SPRING: STAINLESS STEEL
 HEAT SINK: ALUMINUM
 HEAT SINK CLIP: STAINLESS STEEL
 LIGHT PIPE: PC

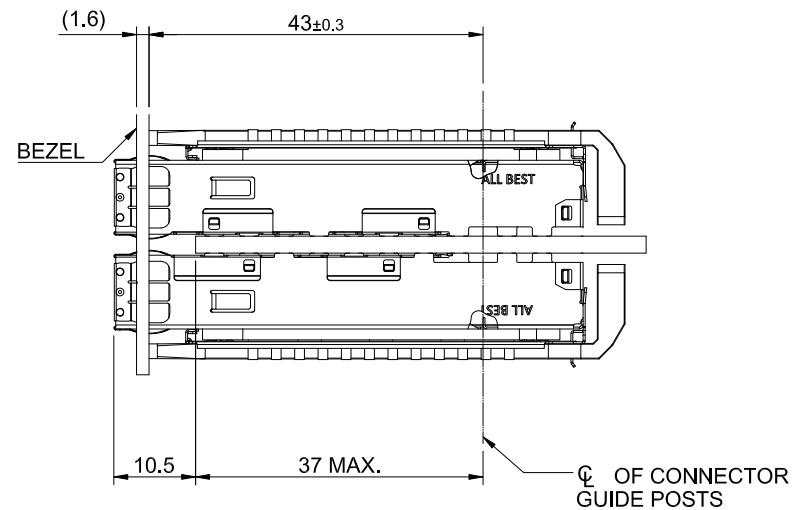
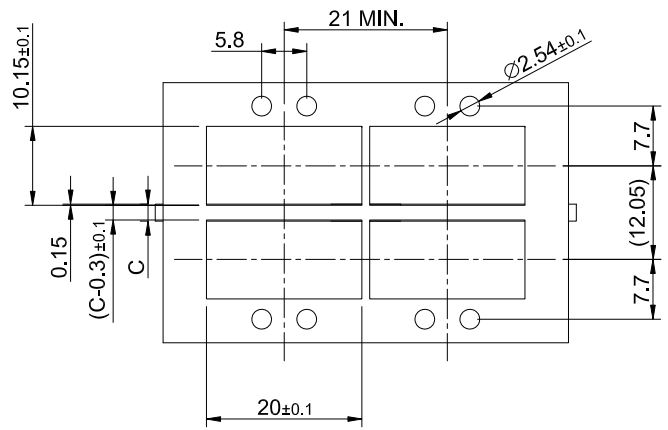
FINISH
 HEAT SINK: ANODE PROCESS

NOTE
 ▲ DIMENSION APPLIES WITH MODULE INSERTED IN CAGE

	TITLE: QSFP28 1X1 Cage w/ Heat Sink (PCI) & Light Pipe		
	DWG#: R-OR-ZQ1-4CME5-MK		SHEET: 1/4
	UNIT: mm	SCALE: A4 1:1	REV. B
	THIRD ANGLE PROJECTION		CHECKED: Gary Yang
TOLERANCE: Angle: ± 1°		MATERIAL: RoHS Compliant	APPROVED: George Yang
X.± 0.25 .X± 0.20 .XX± 0.15		DRAWN: Laura	DATE: 02/12/2019




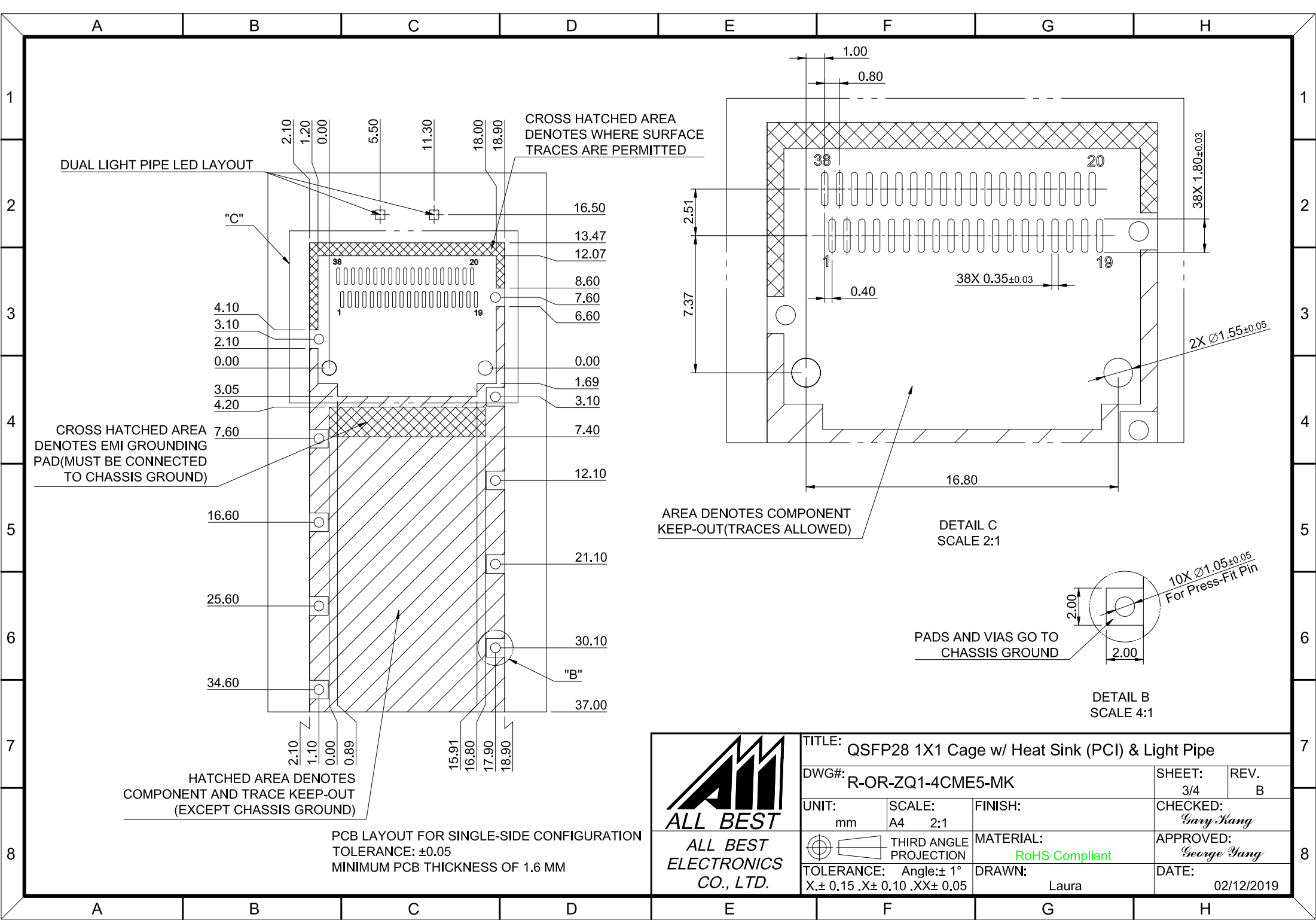
SINGLE-SIDE CONFIGURATION



BELLY TO BELLY CONFIGURATION

C = THICKNESS OF PC BOARD
 SINGLE-SIDE = 1.6MM (MIN.)
 BELLY TO BELLY = 2.2MM (MIN.)

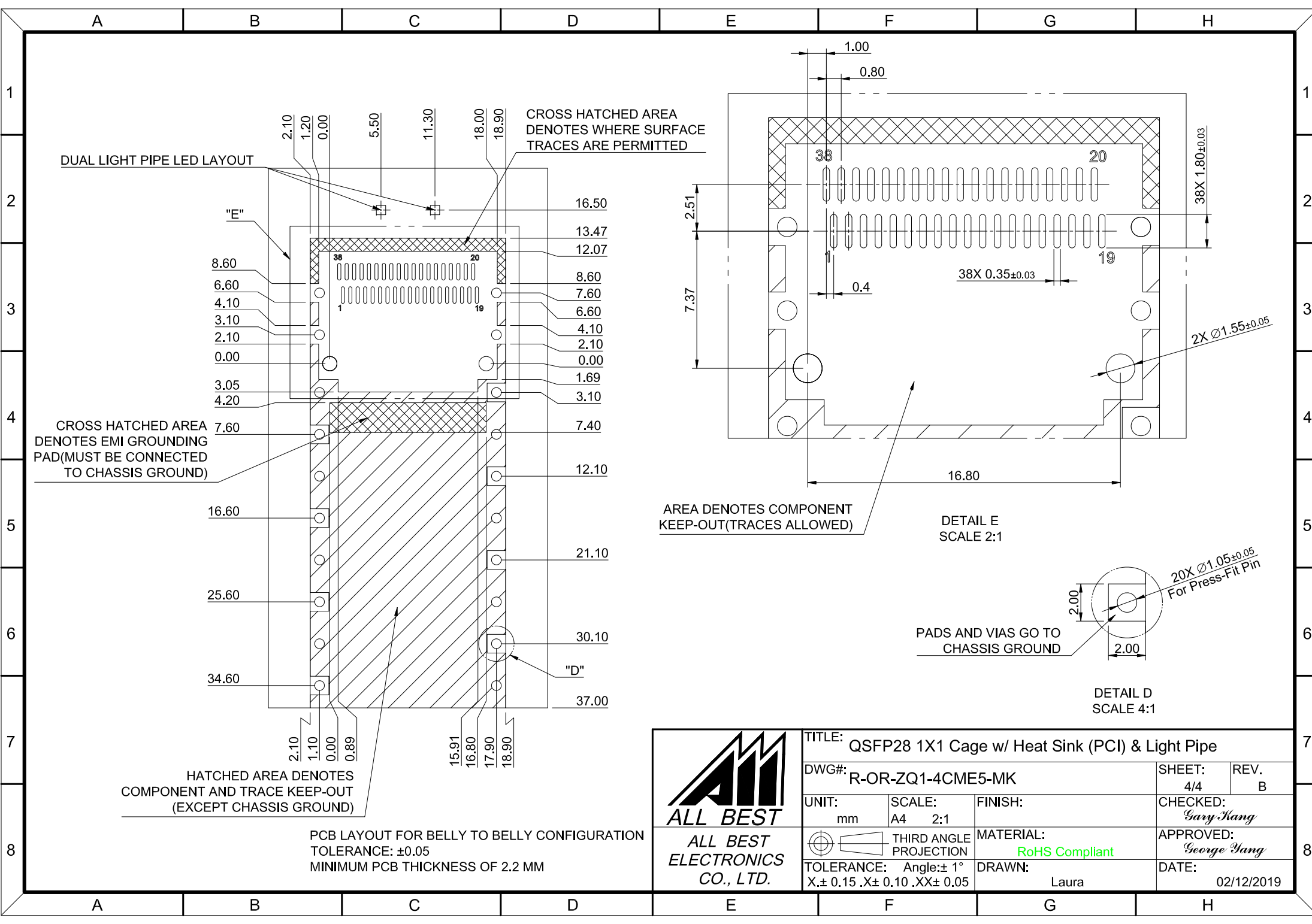
 <p>ALL BEST ALL BEST ELECTRONICS CO., LTD.</p>	TITLE: QSFP28 1X1 Cage w/ Heat Sink (PCI) & Light Pipe		SHEET: 2/4		REV. B	
	DWG#: R-OR-ZQ1-4CME5-MK		CHECKED: Gary Yang		APPROVED: George Yang	
	UNIT: mm	SCALE: A4 1:1	FINISH:	MATERIAL: RoHS Compliant		
	TOLERANCE: X± 0.15 .X± 0.10 .XX± 0.05		THIRD ANGLE PROJECTION	DRAWN: Laura	DATE: 02/12/2019	



PCB LAYOUT FOR SINGLE-SIDE CONFIGURATION
 TOLERANCE: ± 0.05
 MINIMUM PCB THICKNESS OF 1.6 MM



TITLE: QSFP28 1X1 Cage w/ Heat Sink (PCI) & Light Pipe			
DWG#: R-OR-ZQ1-4CME5-MK		SHEET: 3/4	REV. B
UNIT: mm	SCALE: A4 2:1	FINISH:	CHECKED: Gary Yang
THIRD ANGLE PROJECTION		MATERIAL: RoHS Compliant	APPROVED: George Yang
TOLERANCE: Angle: $\pm 1^\circ$ X: ± 0.15 , .X: ± 0.10 , .XX: ± 0.05		DRAWN: Laura	DATE: 02/12/2019



TITLE: QSFP28 1X1 Cage w/ Heat Sink (PCI) & Light Pipe			
DWG#: R-OR-ZQ1-4CME5-MK		SHEET: 4/4	REV.: B
UNIT: mm	SCALE: A4 2:1	FINISH:	CHECKED: Gary Yang
THIRD ANGLE PROJECTION		MATERIAL: RoHS Compliant	APPROVED: George Yang
TOLERANCE: X±0.15 .X±0.10 .XX±0.05		DRAWN: Laura	DATE: 02/12/2019