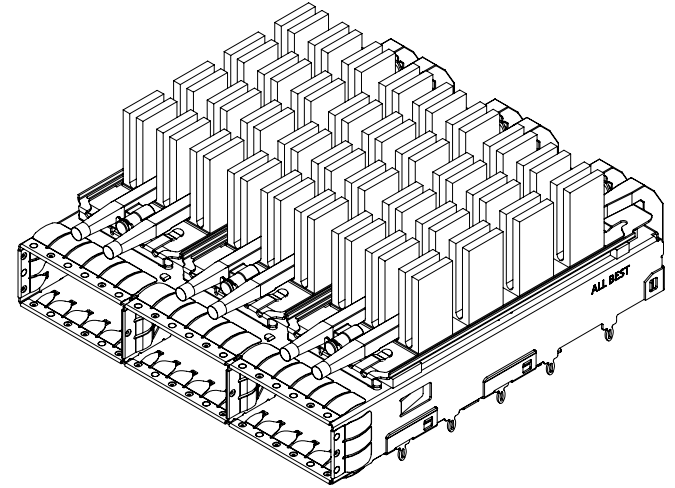


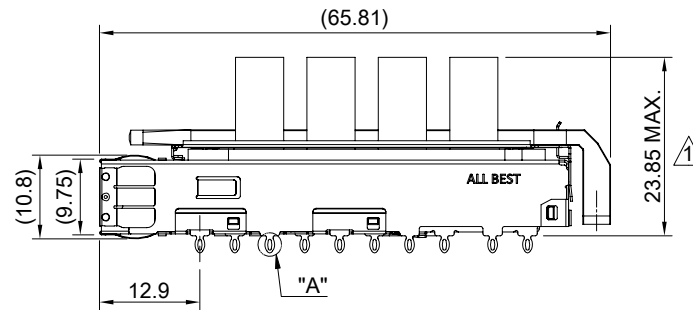
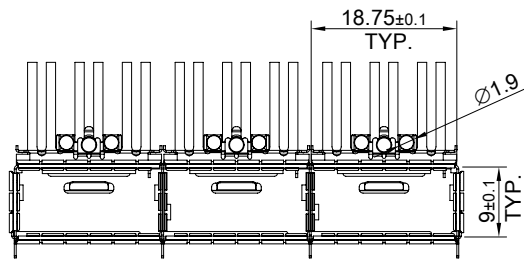
DETAIL A  
SCALE 4:1



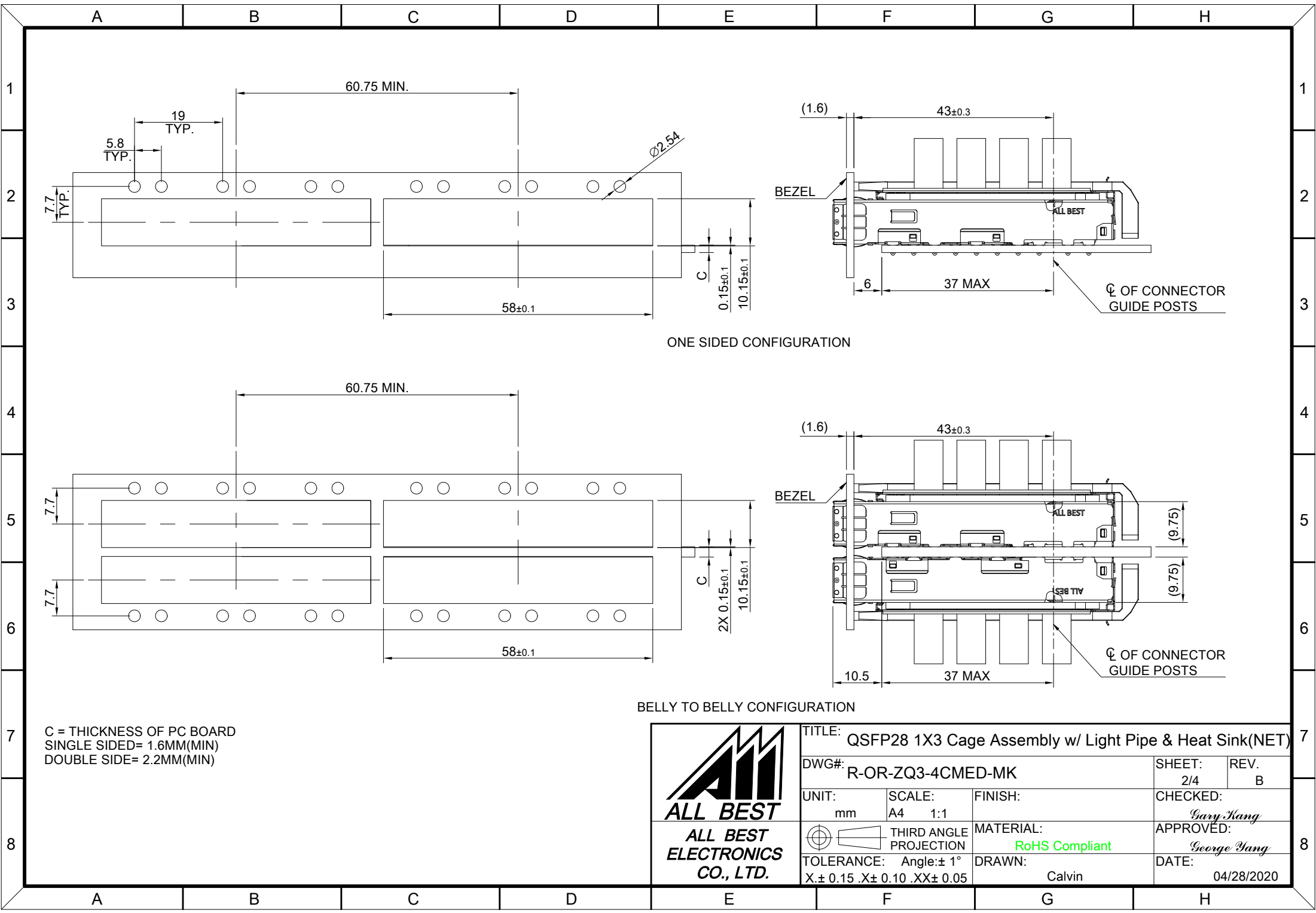
MATERIAL  
 CAGE: NICKEL SILVER  
 EMI SPRING: STAINLESS STEEL  
 HEAT SINK: ALUMINUM  
 HEAT SINK CLIP: STAINLESS STEEL  
 LIGHT PIPE: PC


FINISH  
 HEAT SINK: ANODE PROCESS

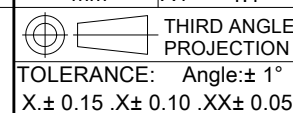
NOTE  
 ▲ DIMENSION APPLIES WITH MODULE INSERTED IN CAGE



 <b>ALL BEST</b> ALL BEST ELECTRONICS CO., LTD.	TITLE: QSFP28 1X3 Cage Assembly w/ Light Pipe & Heat Sink(NET)		SHEET: 1/4	REV. B
	DWG#: R-OR-ZQ3-4CMED-MK		CHECKED: Gary Kang	
	UNIT: mm	SCALE: A4 1:1	APPROVED: George Yang	
	TOLERANCE: Angle: ± 1° X ± 0.25 .X ± 0.20 .XX ± 0.15		MATERIAL: RoHS Compliant	DATE: 04/28/2020
THIRD ANGLE PROJECTION		DRAWN: Calvin		

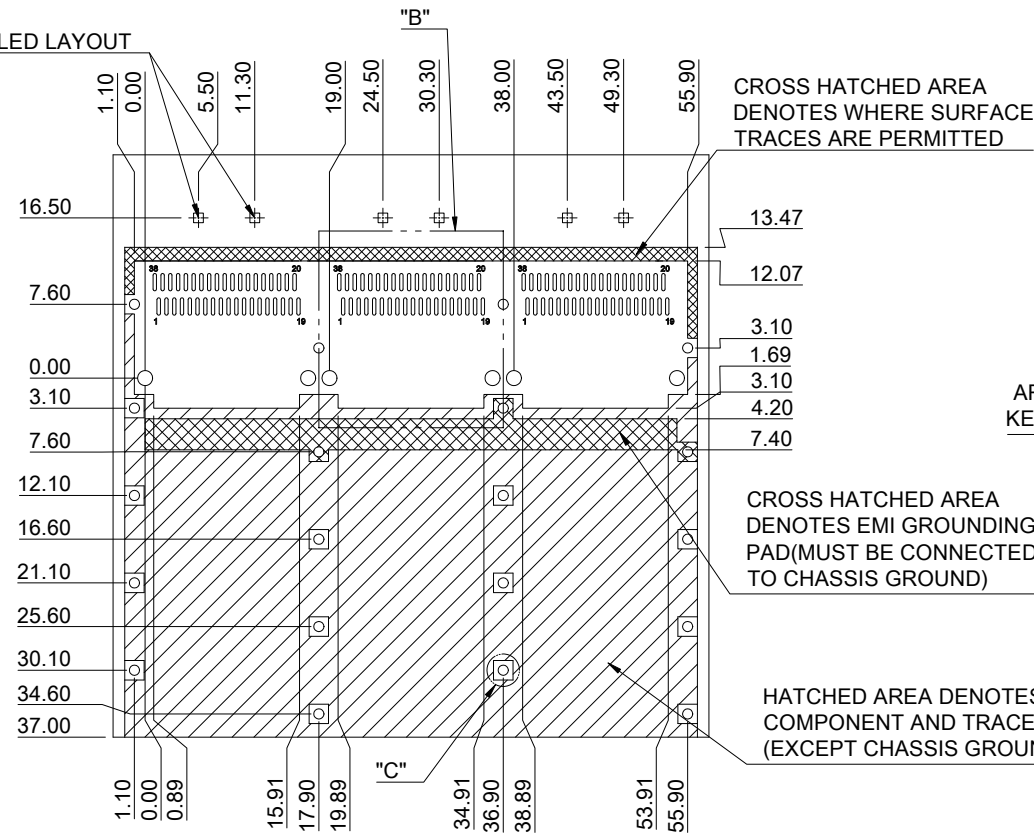


 <p><b>ALL BEST</b>  <b>ALL BEST</b>  <b>ELECTRONICS</b>  <b>CO., LTD.</b></p>	TITLE: QSFP28 1X3 Cage Assembly w/ Light Pipe & Heat Sink(NET)		SHEET: 2/4	REV. B
	DWG#: R-OR-ZQ3-4CMED-MK		CHECKED: Gary Kang	
	UNIT: mm	SCALE: A4 1:1	APPROVED: George Yang	
	TOLERANCE: Angle: ± 1° X ± 0.15 .X ± 0.10 .XX ± 0.05		MATERIAL: RoHS Compliant	DATE: 04/28/2020

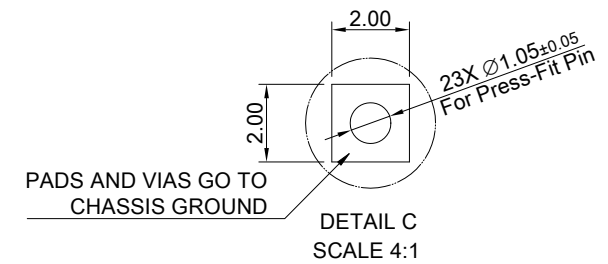
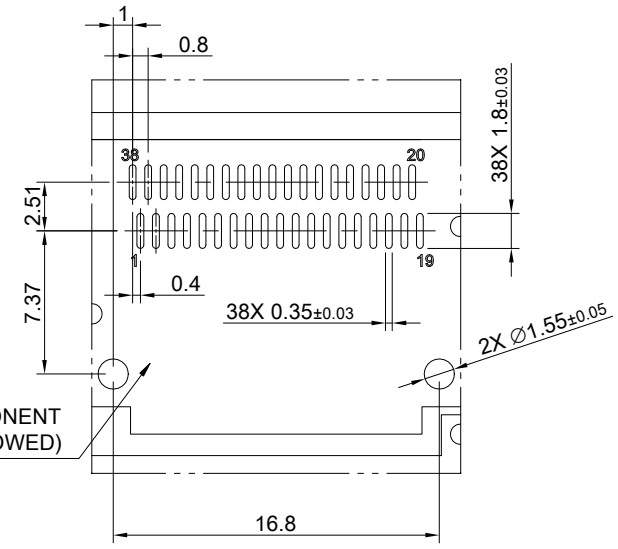


DRAWN: Calvin

DUAL LIGHT PIPE LED LAYOUT

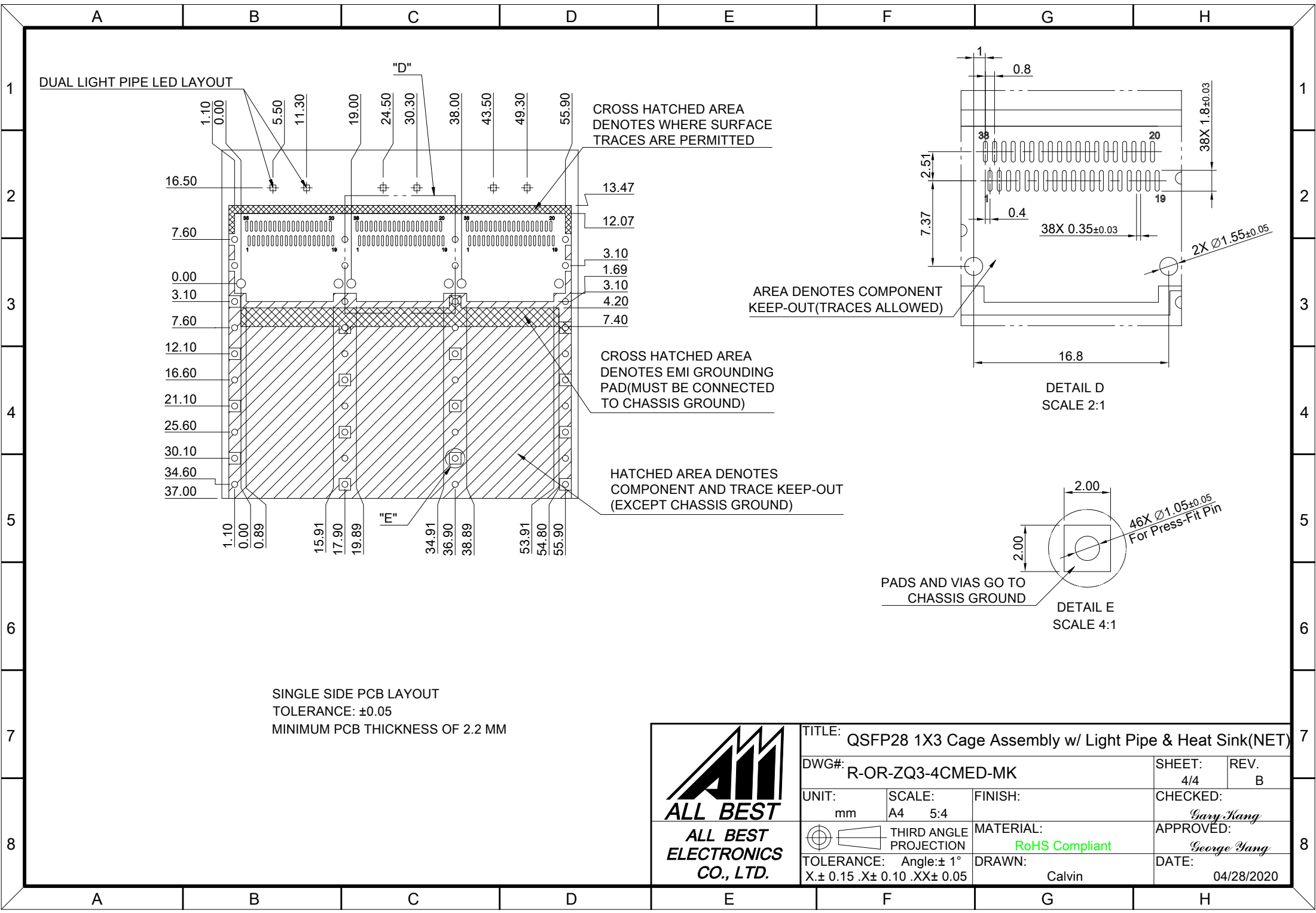


AREA DENOTES COMPONENT KEEP-OUT (TRACES ALLOWED)



SINGLE SIDE PCB LAYOUT  
TOLERANCE: ±0.05  
MINIMUM PCB THICKNESS OF 1.6 MM

<p><b>ALL BEST</b> ALL BEST ELECTRONICS CO., LTD.</p>	TITLE: QSFP28 1X3 Cage Assembly w/ Light Pipe & Heat Sink(NET)		SHEET: 3/4	REV. B
	DWG#: R-OR-ZQ3-4CMED-MK		CHECKED: Gary Kang	
	UNIT: mm	SCALE: A4 5:4	MATERIAL: RoHS Compliant	APPROVED: George Yang
	TOLERANCE: Angle: ± 1° X ± 0.15 .X ± 0.10 .XX ± 0.05		DRAWN: Calvin	DATE: 04/28/2020



DUAL LIGHT PIPE LED LAYOUT

CROSS HATCHED AREA DENOTES WHERE SURFACE TRACES ARE PERMITTED

AREA DENOTES COMPONENT KEEP-OUT (TRACES ALLOWED)


CROSS HATCHED AREA DENOTES EMI GROUNDING PAD (MUST BE CONNECTED TO CHASSIS GROUND)

HATCHED AREA DENOTES COMPONENT AND TRACE KEEP-OUT (EXCEPT CHASSIS GROUND)

DETAIL D SCALE 2:1

DETAIL E SCALE 4:1

SINGLE SIDE PCB LAYOUT  
TOLERANCE: ±0.05  
MINIMUM PCB THICKNESS OF 2.2 MM

 <p><b>ALL BEST</b> ALL BEST ELECTRONICS CO., LTD.</p>	TITLE: QSFP28 1X3 Cage Assembly w/ Light Pipe & Heat Sink(NET)		SHEET: 4/4	REV. B
	DWG#: R-OR-ZQ3-4CMED-MK		CHECKED: Gary Kang	
	UNIT: mm	SCALE: A4 5:4	FINISH:	APPROVED: George Yang
	TOLERANCE: X±0.15 .X±0.10 .XX±0.05		MATERIAL: RoHS Compliant	DATE: 04/28/2020
THIRD ANGLE PROJECTION		DRAWN: Calvin		