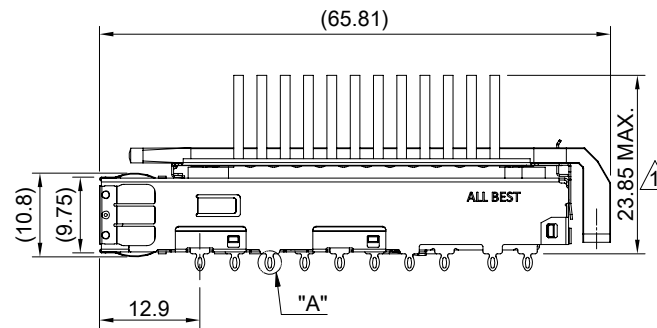
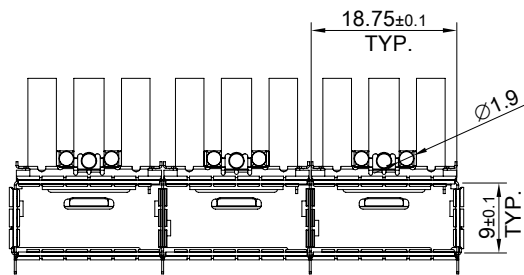
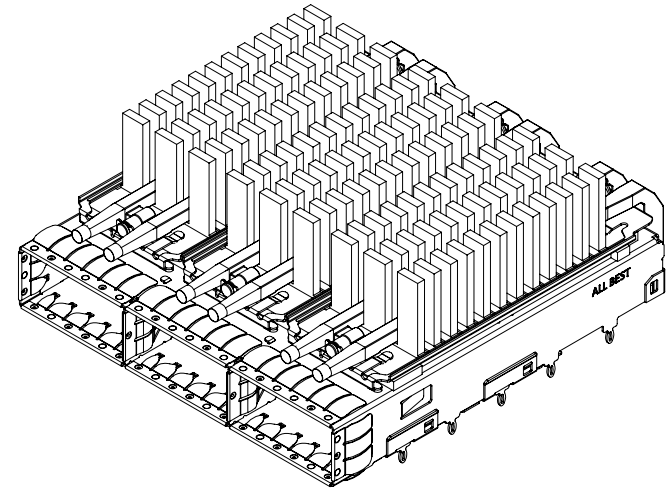


DETAIL A
SCALE 4:1

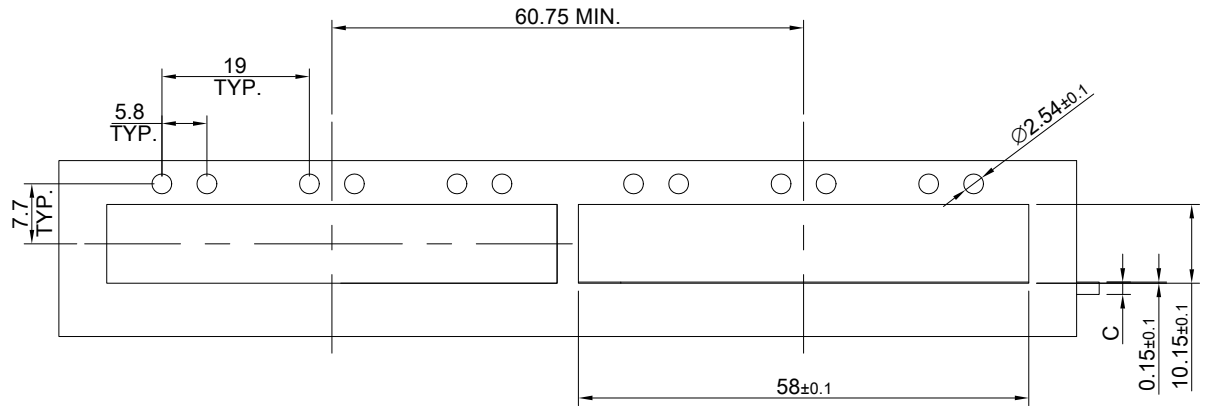


MATERIAL
 CAGE: NICKEL SILVER
 EMI SPRING: STAINLESS STEEL
 HEAT SINK: ALUMINUM
 HEAT SINK CLIP: STAINLESS STEEL
 LIGHT PIPE: PC

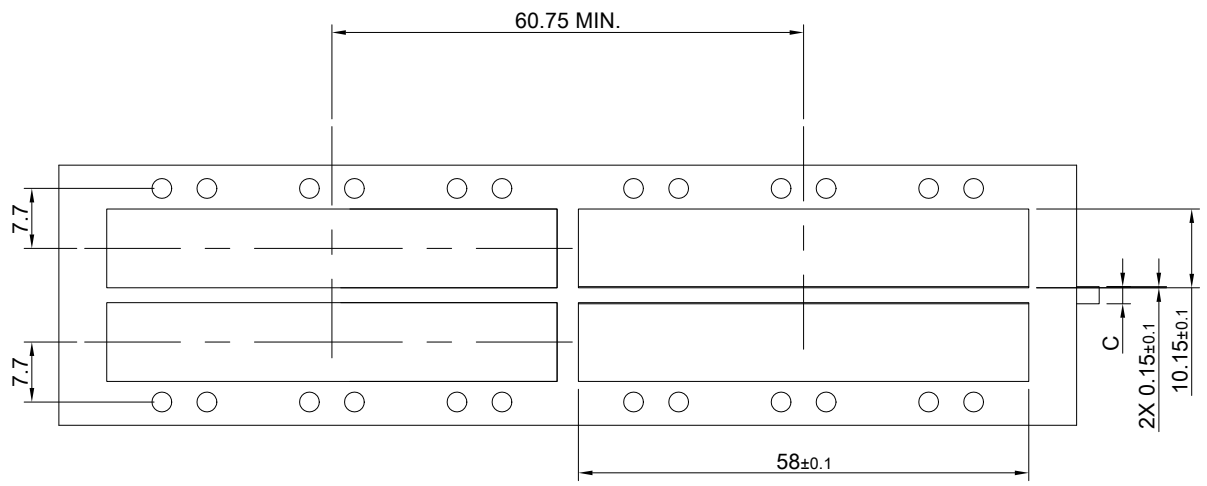
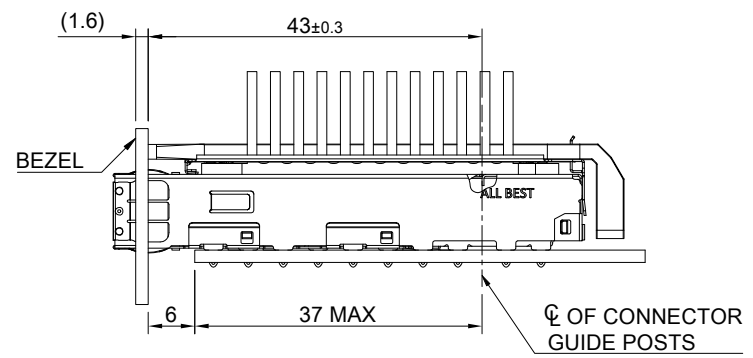
FINISH
 HEAT SINK: ANODE PROCESS

NOTE
 ▲ DIMENSION APPLIES WITH MODULE INSERTED IN CAGE

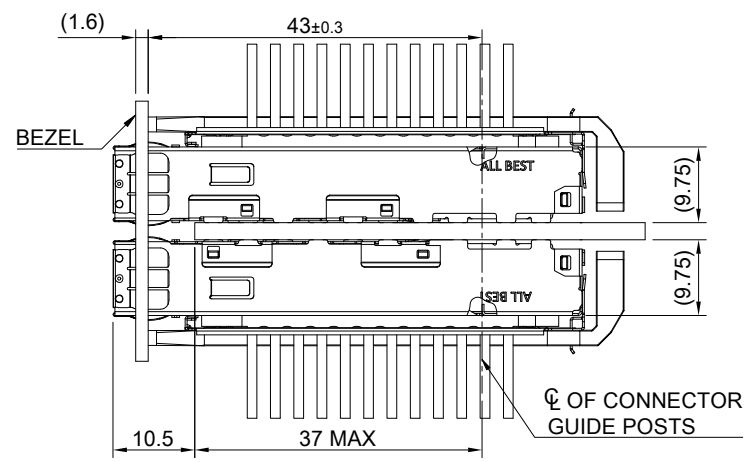
	TITLE: QSFP28 1X3 Cage Assembly w/ Light Pipe & Heat Sink(NET)		
	DWG#: R-OR-ZQ3-4CME3-MK		SHEET: 1/4
	UNIT: mm	SCALE: A4 1:1	REV. B
	FINISH:		CHECKED: Gary Kang
THIRD ANGLE PROJECTION		MATERIAL: RoHS Compliant	APPROVED: George Yang
TOLERANCE: Angle: ± 1°		DRAWN: Calvin	DATE: 04/28/2020
X ± 0.25 .X ± 0.20 .XX ± 0.15			




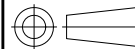
ONE SIDED CONFIGURATION



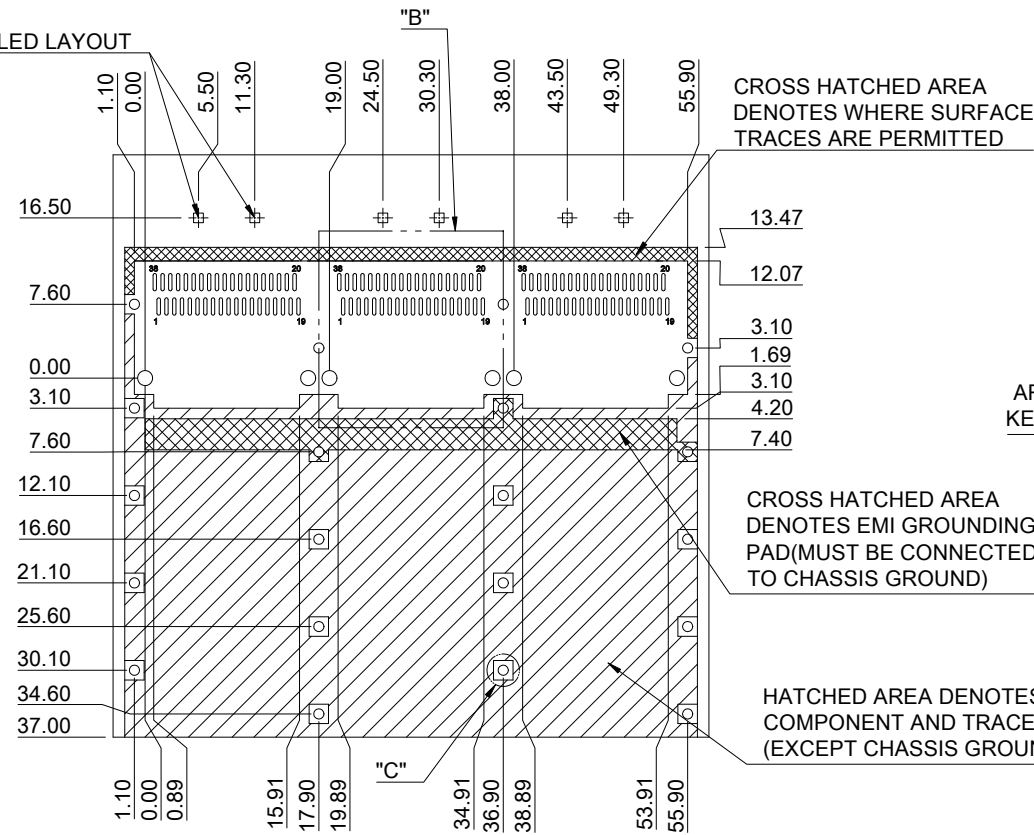
BELLY TO BELLY CONFIGURATION



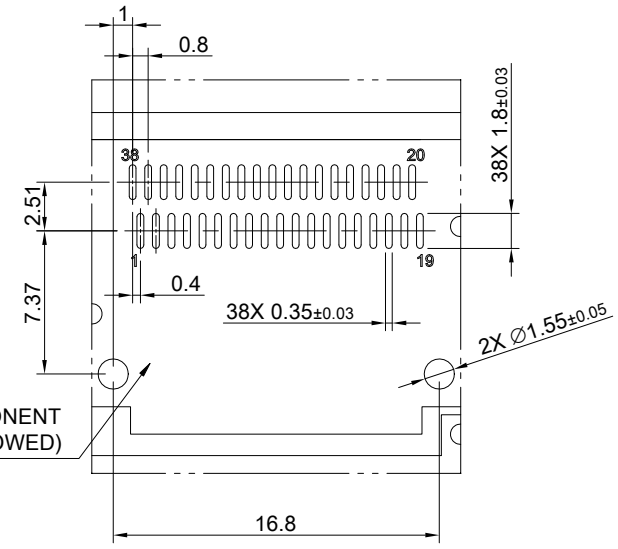
C = THICKNESS OF PC BOARD
 SINGLE SIDED= 1.6MM(MIN)
 DOUBLE SIDE= 2.2MM(MIN)

	TITLE: QSFP28 1X3 Cage Assembly w/ Light Pipe & Heat Sink(NET)		SHEET: 2/4	REV. B
	DWG#: R-OR-ZQ3-4CME3-MK		CHECKED: Gary Kang	
	UNIT: mm	SCALE: A4 1:1	APPROVED: George Yang	
	TOLERANCE: X±0.15 .X±0.10 .XX±0.05		MATERIAL: RoHS Compliant	DATE: 04/28/2020
 THIRD ANGLE PROJECTION Angle: ±1°		DRAWN: Calvin		

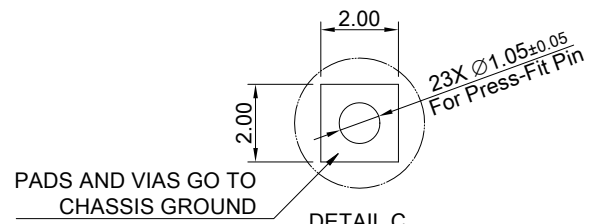
DUAL LIGHT PIPE LED LAYOUT



AREA DENOTES COMPONENT KEEP-OUT (TRACES ALLOWED)



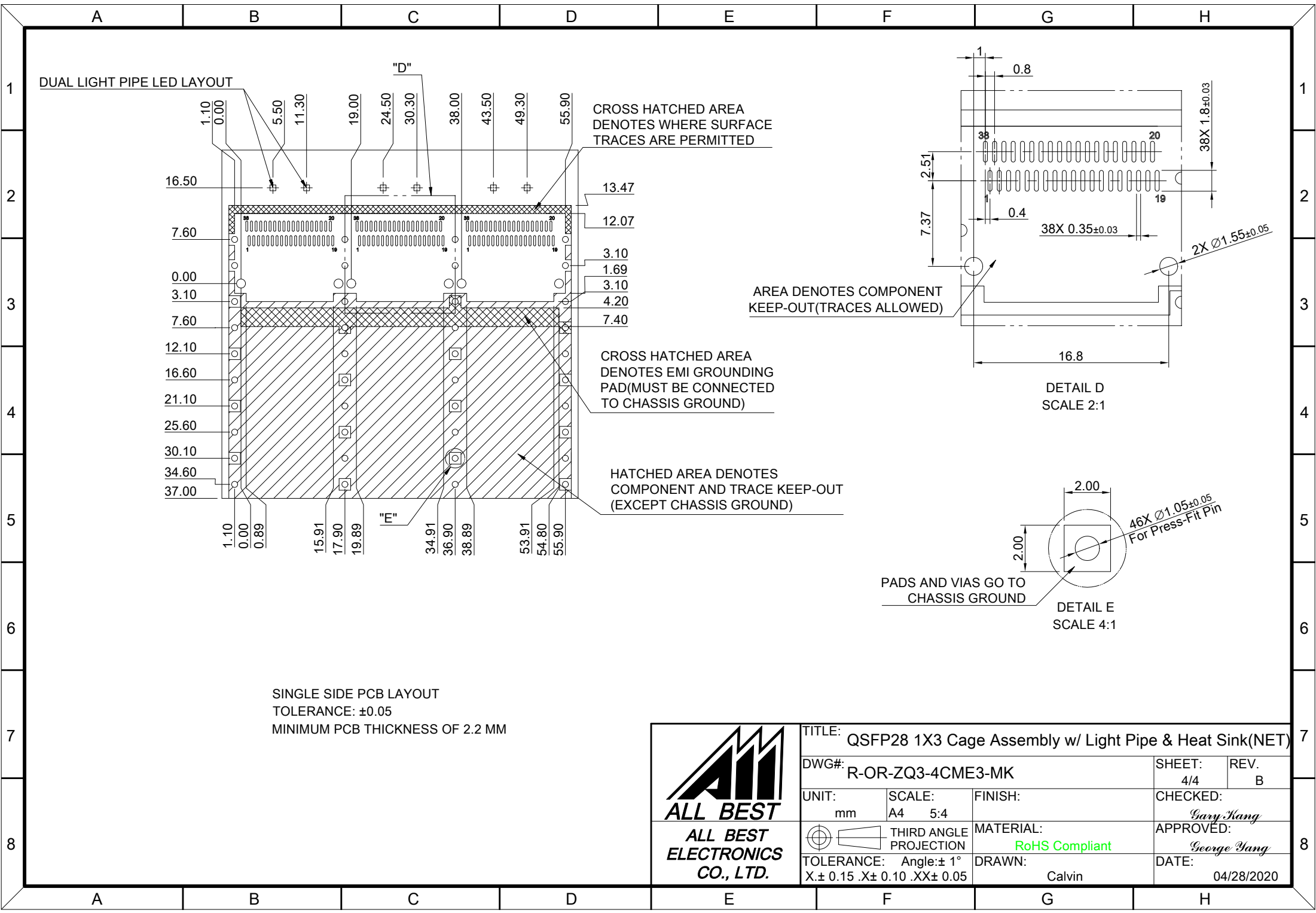
DETAIL B
SCALE 2:1



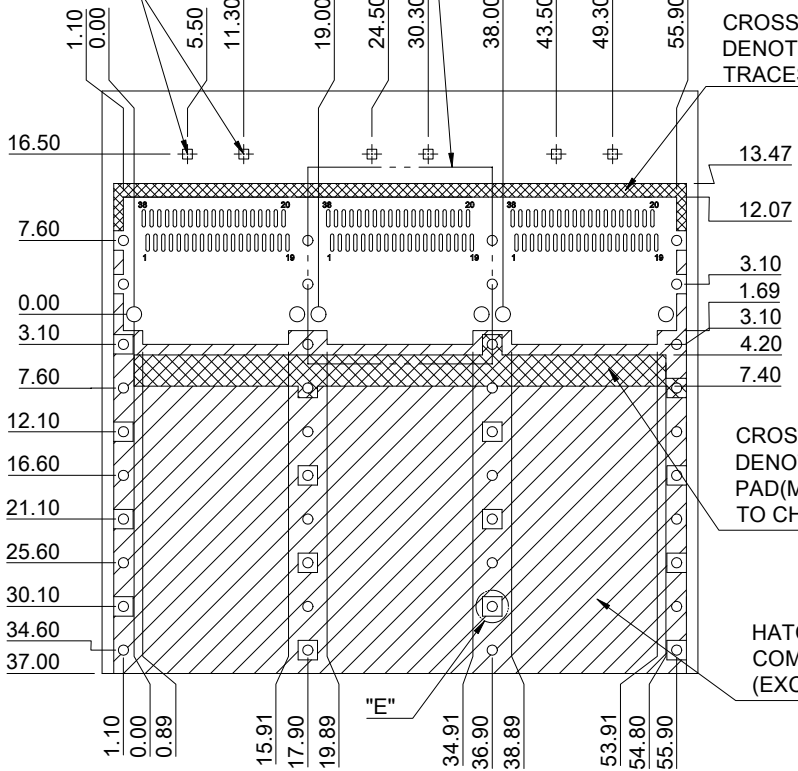
DETAIL C
SCALE 4:1

SINGLE SIDE PCB LAYOUT
TOLERANCE: ±0.05
MINIMUM PCB THICKNESS OF 1.6 MM

<p>ALL BEST ALL BEST ELECTRONICS CO., LTD.</p>	TITLE: QSFP28 1X3 Cage Assembly w/ Light Pipe & Heat Sink(NET)		SHEET: 3/4	REV. B	
	DWG#: R-OR-ZQ3-4CME3-MK		CHECKED: Gary Kang		
	UNIT: mm	SCALE: A4 5:4	APPROVED: George Yang		
	TOLERANCE: Angle: ± 1° X ± 0.15 .X ± 0.10 .XX ± 0.05		MATERIAL: RoHS Compliant	DATE: 04/28/2020	
	THIRD ANGLE PROJECTION		DRAWN: Calvin		



DUAL LIGHT PIPE LED LAYOUT

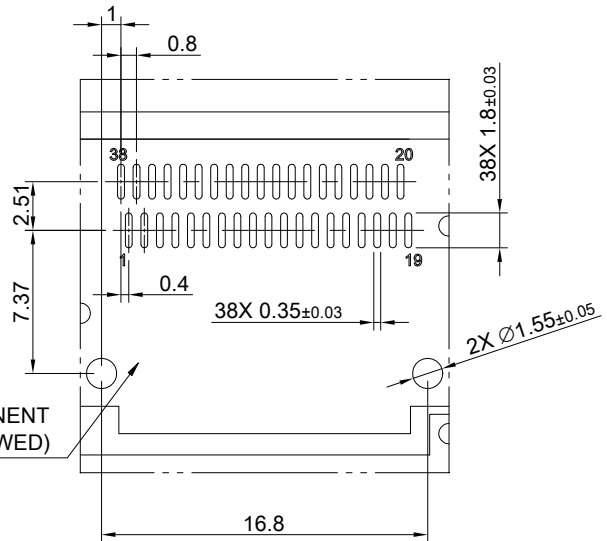


CROSS HATCHED AREA DENOTES WHERE SURFACE TRACES ARE PERMITTED

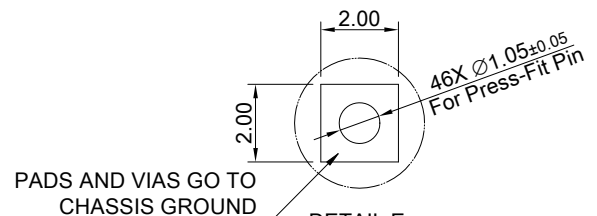
AREA DENOTES COMPONENT KEEP-OUT (TRACES ALLOWED)

CROSS HATCHED AREA DENOTES EMI GROUNDING PAD (MUST BE CONNECTED TO CHASSIS GROUND)

HATCHED AREA DENOTES COMPONENT AND TRACE KEEP-OUT (EXCEPT CHASSIS GROUND)



DETAIL D
SCALE 2:1



DETAIL E
SCALE 4:1

SINGLE SIDE PCB LAYOUT
TOLERANCE: ±0.05
MINIMUM PCB THICKNESS OF 2.2 MM

<p>ALL BEST ALL BEST ELECTRONICS CO., LTD.</p>	TITLE: QSFP28 1X3 Cage Assembly w/ Light Pipe & Heat Sink(NET)		SHEET: 4/4		REV. B
	DWG#: R-OR-ZQ3-4CME3-MK		CHECKED: Gary Kang		APPROVED: George Yang
	UNIT: mm	SCALE: A4 5:4	FINISH:	MATERIAL: RoHS Compliant	
	TOLERANCE: X±0.15 .X±0.10 .XX±0.05		THIRD ANGLE PROJECTION	DRAWN: Calvin	DATE: 04/28/2020