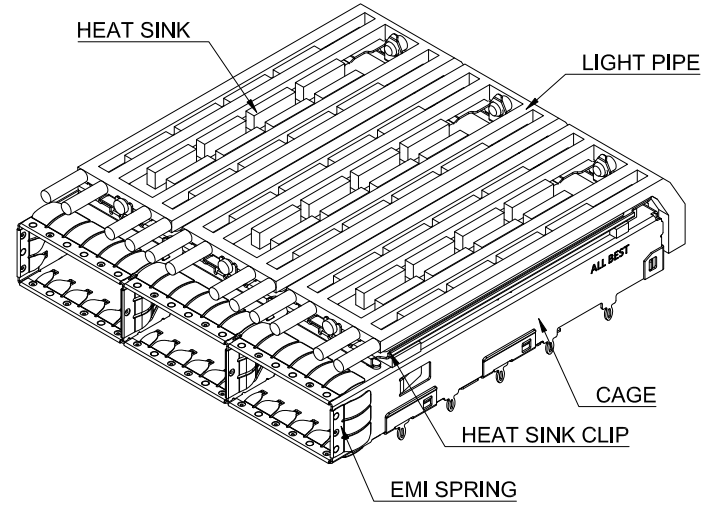


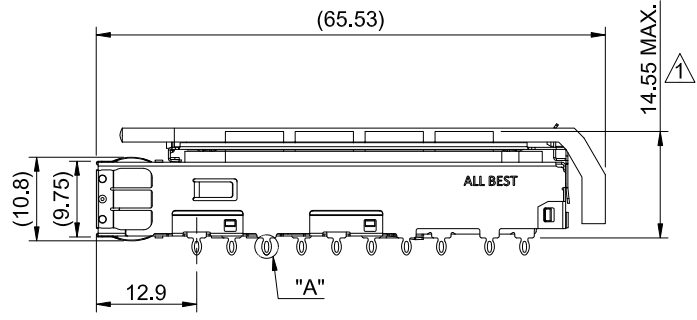
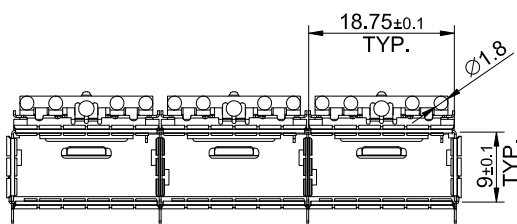
DETAIL A  
SCALE 4:1



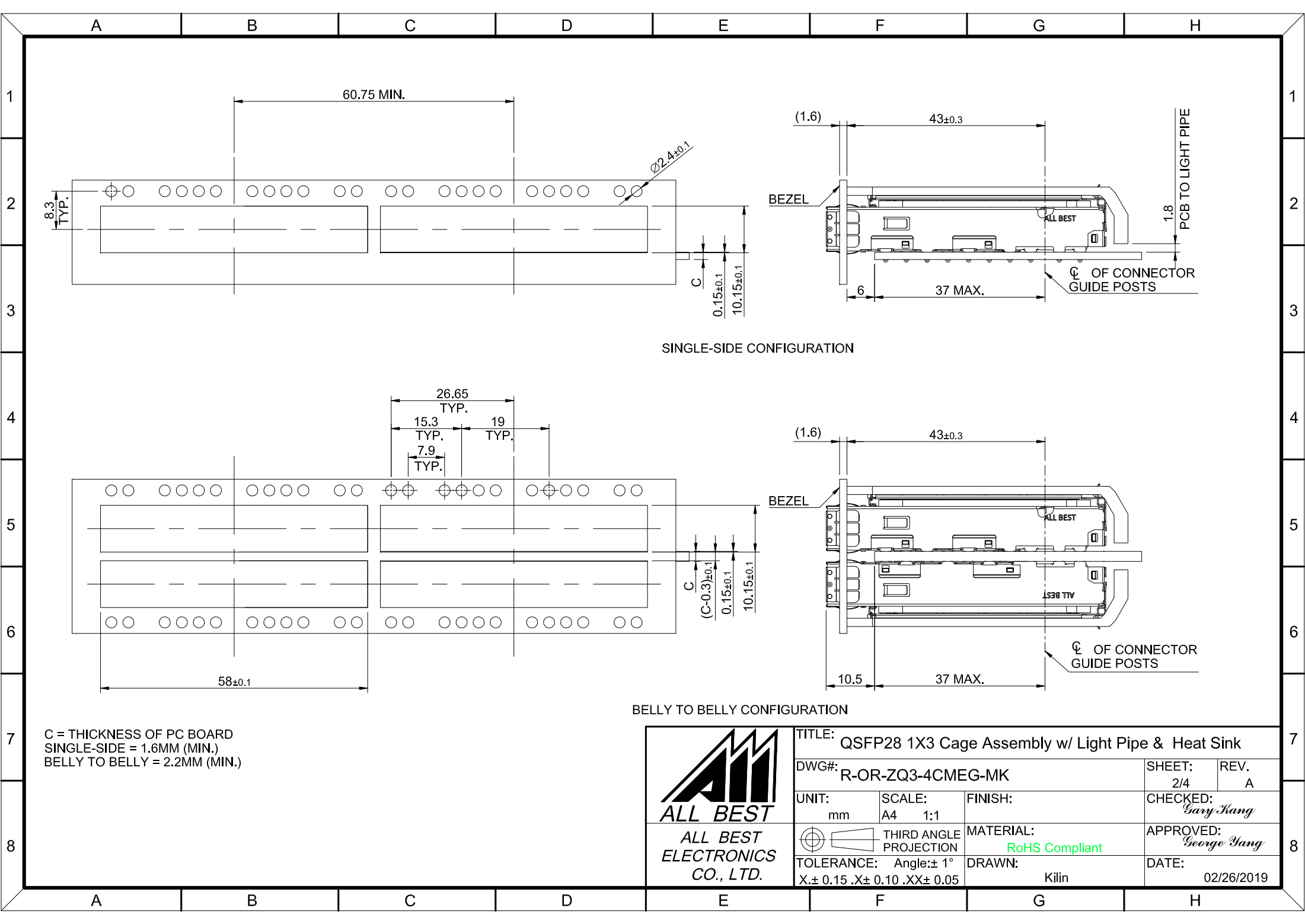
MATERIAL  
 CAGE: NICKEL SILVER  
 EMI SPRING: STAINLESS STEEL  
 HEAT SINK: ALUMINUM  
 HEAT SINK CLIP: STAINLESS STEEL  
 LIGHT PIPE: PC

FINISH  
 HEAT SINK: ANODE PROCESS

NOTE  
 ▲ DIMENSION APPLIES WITH MODULE INSERTED IN CAGE



TITLE: QSFP28 1X3 Cage Assembly w/ Light Pipe & Heat Sink			
DWG#: R-OR-ZQ3-4CMEG-MK		SHEET: 1/4	REV. A
UNIT: mm	SCALE: A4 1:1	CHECKED: Gary Xiang	
TOLERANCE: X.± 0.25 .X± 0.20 .XX± 0.15		MATERIAL: RoHS Compliant	APPROVED: George Xiang
THIRD ANGLE PROJECTION		DRAWN: Kilin	DATE: 02/26/2019



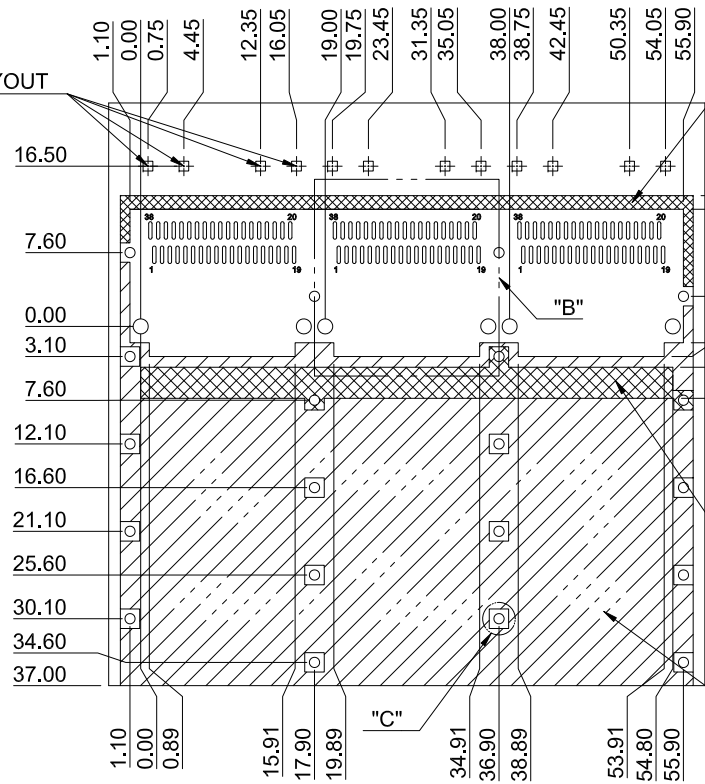
SINGLE-SIDE CONFIGURATION

BELLY TO BELLY CONFIGURATION

C = THICKNESS OF PC BOARD  
 SINGLE-SIDE = 1.6MM (MIN.)  
 BELLY TO BELLY = 2.2MM (MIN.)

	TITLE: QSFP28 1X3 Cage Assembly w/ Light Pipe & Heat Sink		
	DWG#: R-OR-ZQ3-4CMEG-MK		SHEET: 2/4
	UNIT: mm	SCALE: A4 1:1	REV. A
	THIRD ANGLE PROJECTION TOLERANCE: Angle: ± 1° X.± 0.15 .X± 0.10 .XX± 0.05		CHECKED: Gary Kang
MATERIAL: RoHS Compliant		APPROVED: George Yang	DATE: 02/26/2019
DRAWN: Kilin			

QUAD LIGHT PIPE LED LAYOUT

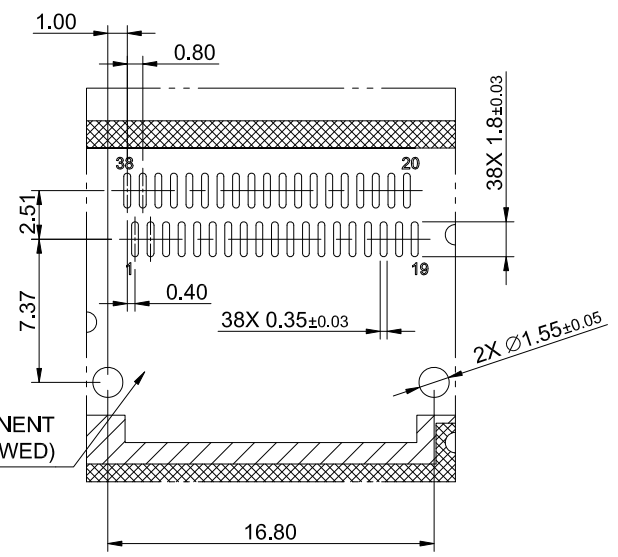


CROSS HATCHED AREA DENOTES WHERE SURFACE TRACES ARE PERMITTED

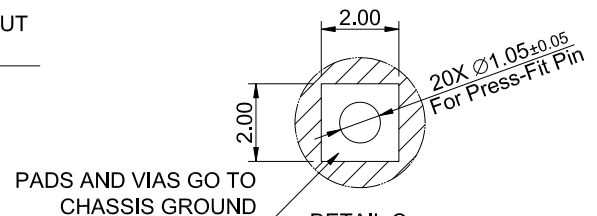
AREA DENOTES COMPONENT KEEP-OUT (TRACES ALLOWED)

CROSS HATCHED AREA DENOTES EMI GROUNDING PAD (MUST BE CONNECTED TO CHASSIS GROUND)

HATCHED AREA DENOTES COMPONENT AND TRACE KEEP-OUT (EXCEPT CHASSIS GROUND)



DETAIL B SCALE 2:1



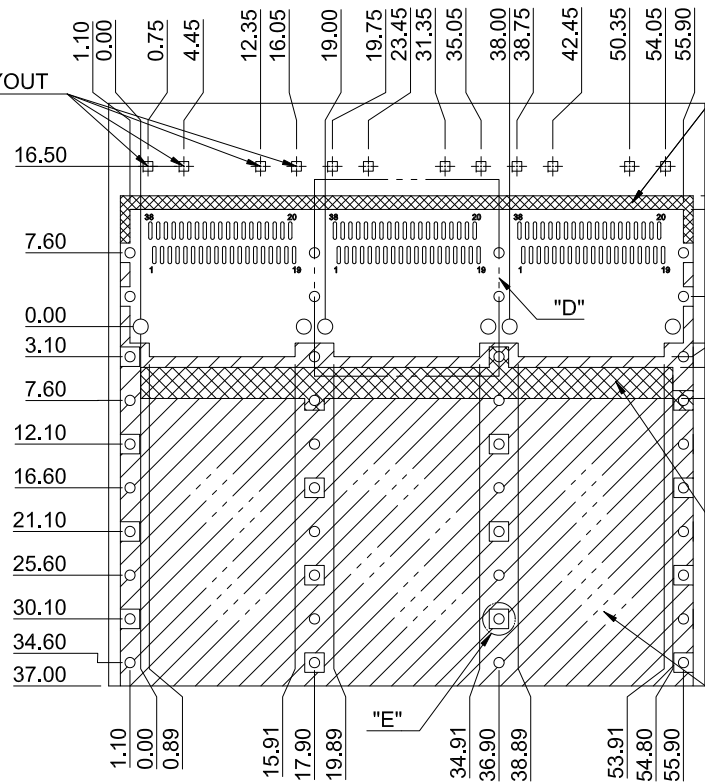
DETAIL C SCALE 4:1

PCB LAYOUT FOR SINGLE-SIDE CONFIGURATION  
TOLERANCE: ±0.05  
MINIMUM PCB THICKNESS OF 1.6 MM



TITLE: QSFP28 1X3 Cage Assembly w/ Light Pipe & Heat Sink			
DWG#: R-OR-ZQ3-4CMEG-MK		SHEET: 3/4	REV. A
UNIT: mm	SCALE: A4 5:4	CHECKED: Gary Kang	
THIRD ANGLE PROJECTION		APPROVED: George Yang	
TOLERANCE: Angle: ± 1° X.± 0.15 .X± 0.10 .XX± 0.05		MATERIAL: RoHS Compliant	DATE: 02/26/2019
		DRAWN: Kilin	

QUAD LIGHT PIPE LED LAYOUT

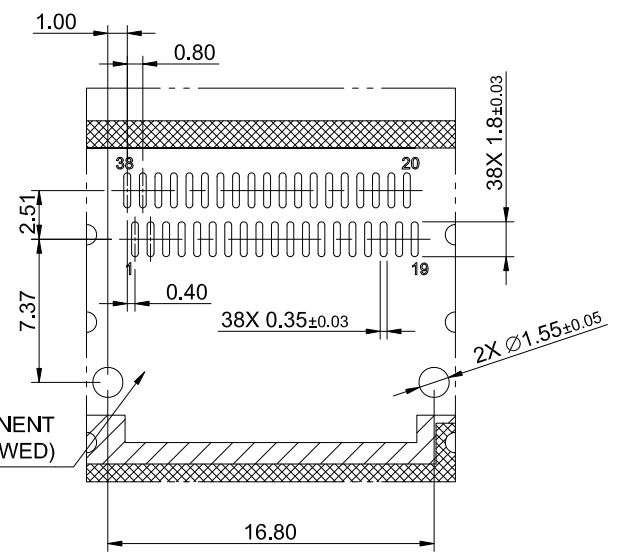


CROSS HATCHED AREA DENOTES WHERE SURFACE TRACES ARE PERMITTED

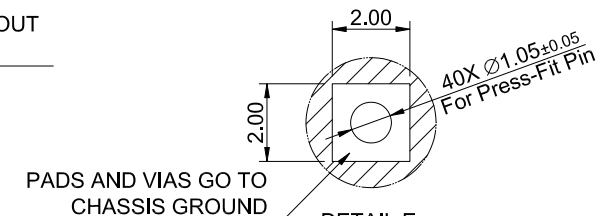
AREA DENOTES COMPONENT KEEP-OUT (TRACES ALLOWED)

CROSS HATCHED AREA DENOTES EMI GROUNDING PAD (MUST BE CONNECTED TO CHASSIS GROUND)

HATCHED AREA DENOTES COMPONENT AND TRACE KEEP-OUT (EXCEPT CHASSIS GROUND)



DETAIL D SCALE 2:1



PADS AND VIAS GO TO CHASSIS GROUND  
DETAIL E SCALE 4:1

PCB LAYOUT FOR BELLY TO BELLY CONFIGURATION  
TOLERANCE: ±0.05  
MINIMUM PCB THICKNESS OF 2.2 MM



TITLE: QSFP28 1X3 Cage Assembly w/ Light Pipe & Heat Sink			
DWG#: R-OR-ZQ3-4CMEG-MK		SHEET: 4/4	REV. A
UNIT: mm	SCALE: A4 5:4	FINISH:	CHECKED: Gary Kang
THIRD ANGLE PROJECTION		MATERIAL: RoHS Compliant	APPROVED: George Yang
TOLERANCE: Angle: ± 1° X: ± 0.15 .X: ± 0.10 .XX: ± 0.05		DRAWN: Kilin	DATE: 02/26/2019