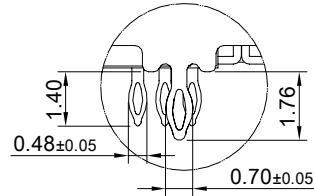
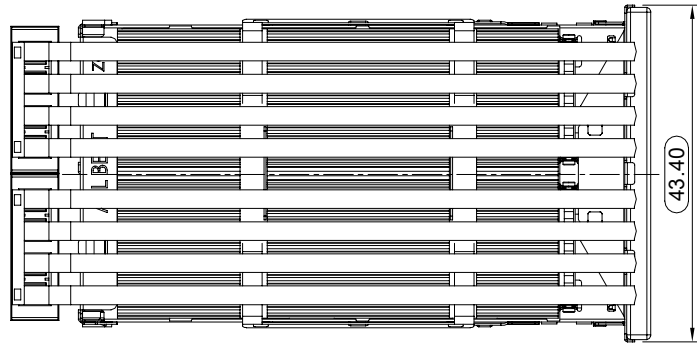
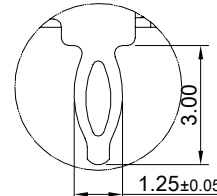


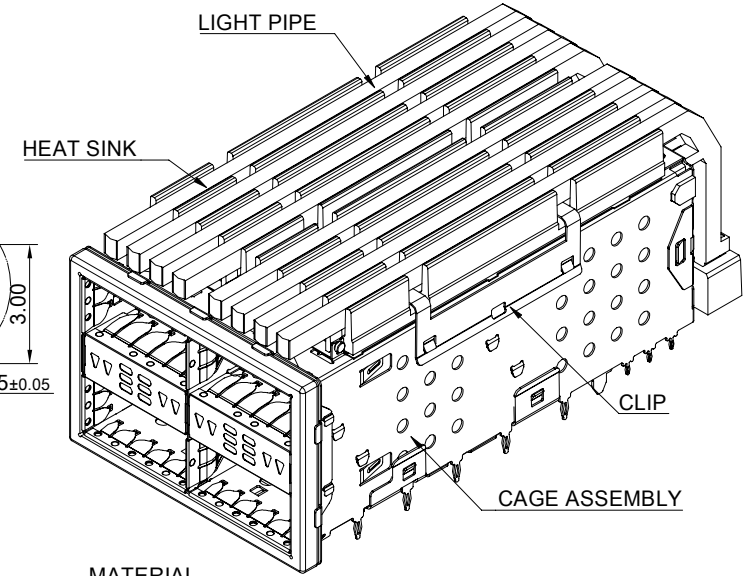
THIS PRINT IS
PRELIMINARY
UNQUALIFIED PRODUCT
CONTACT PRODUCT ENGINEERING
BEFORE USING THIS PRINT



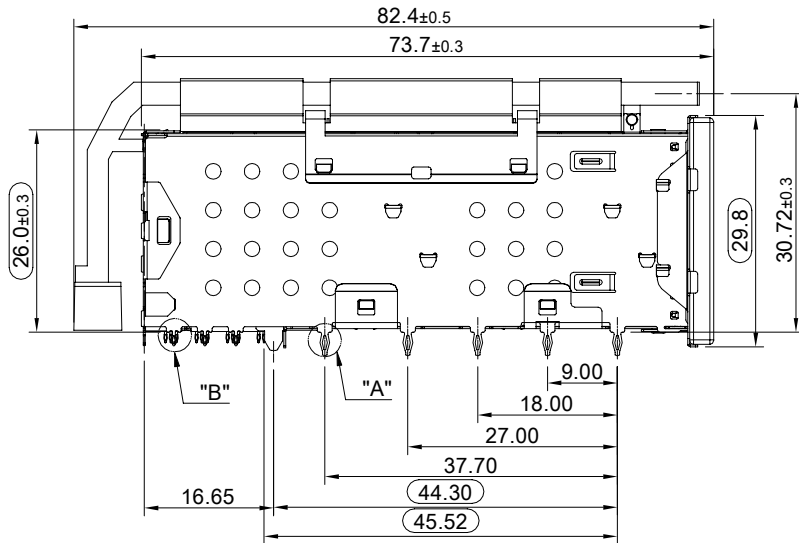
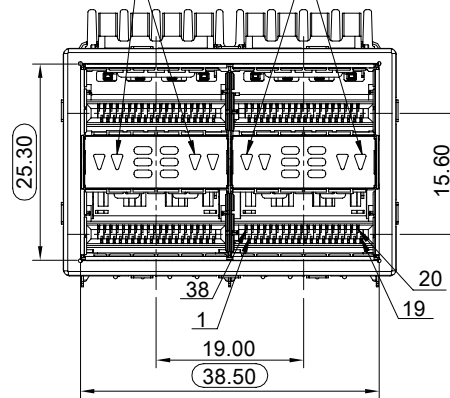
DETAIL B
SCALE 5:1



DETAIL A
SCALE 5:1



INNER LIGHT PIPE PORTS
OUTER LIGHT PIPE PORTS



MATERIAL
CAGE: NICKEL SILVER
CONNECTOR HOUSING: THERMOPLASTIC, UL 94V-0
INSULATOR COLOR: DEEP GRAY
EMI SPRING: STAINLESS STEEL
CONTACTS: COPPER ALLOY
EMI GASKET FLANGE: STAINLESS STEEL
EMI GASKET: CONDUCTIVE ELASTOMER(UGTP)
HEAT SINK: ALUMINUM
HEAT SINK CLIP: STAINLESS STEEL
LIGHT PIPE: PC
LIGHT SHIELD: THERMOPLASTIC

FINISH
HEAT SINK: ANODE PROCESS
CONTACT: 15μ" MIN. GOLD ON MATING END;
30μ" MIN. MATTE TIN ON TERMINAL END;
ALL UNDERPLATED 50μ" MIN. NICKEL

ELECTRICAL CHARACTERISTICS
CONTACT CURRENT RATING: 0.5 AMPERE
VOLTAGE RATING: 30VAC
CONTACT RESISTANCE: 80 mΩ MAX.
DIELECTRIC WITHSTANDING VOLTAGE: 300VAC



TITLE: Stacked QSFP56 2x2 Assembly w/
Internal / External Heat Sink & Light Pipe

DWG#: R-TR-DZQT2-4CGNLI-AIO-4

UNIT: mm

SCALE: A4 1:1

FINISH:

SHEET: 1/3
REV. REF

THIRD ANGLE PROJECTION

MATERIAL: RoHS Compliant

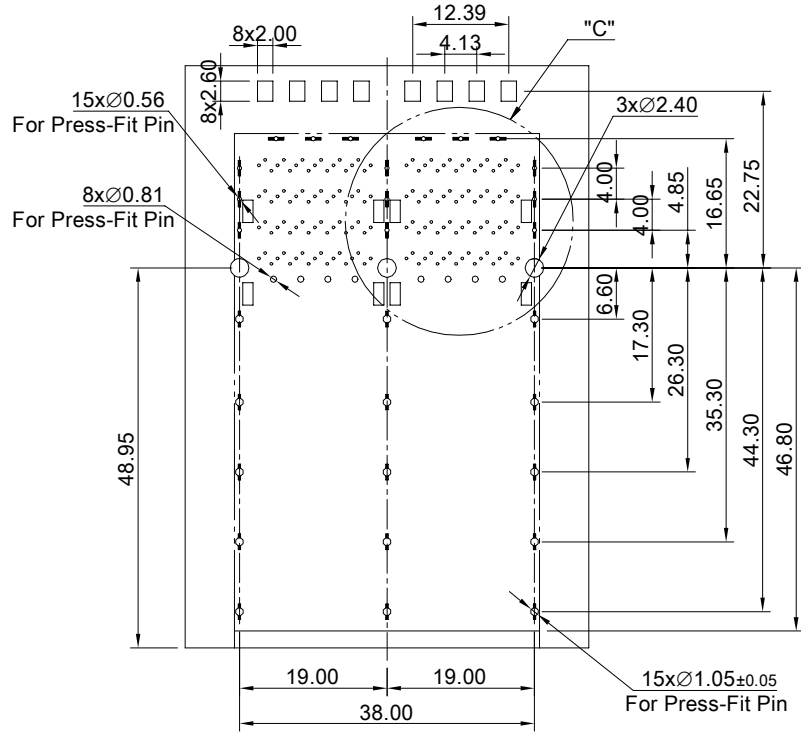
APPROVED:

TOLERANCE: Angle: ± 1°
X.±0.25 .X±0.20 .XX±0.15

DRAWN: Yilu

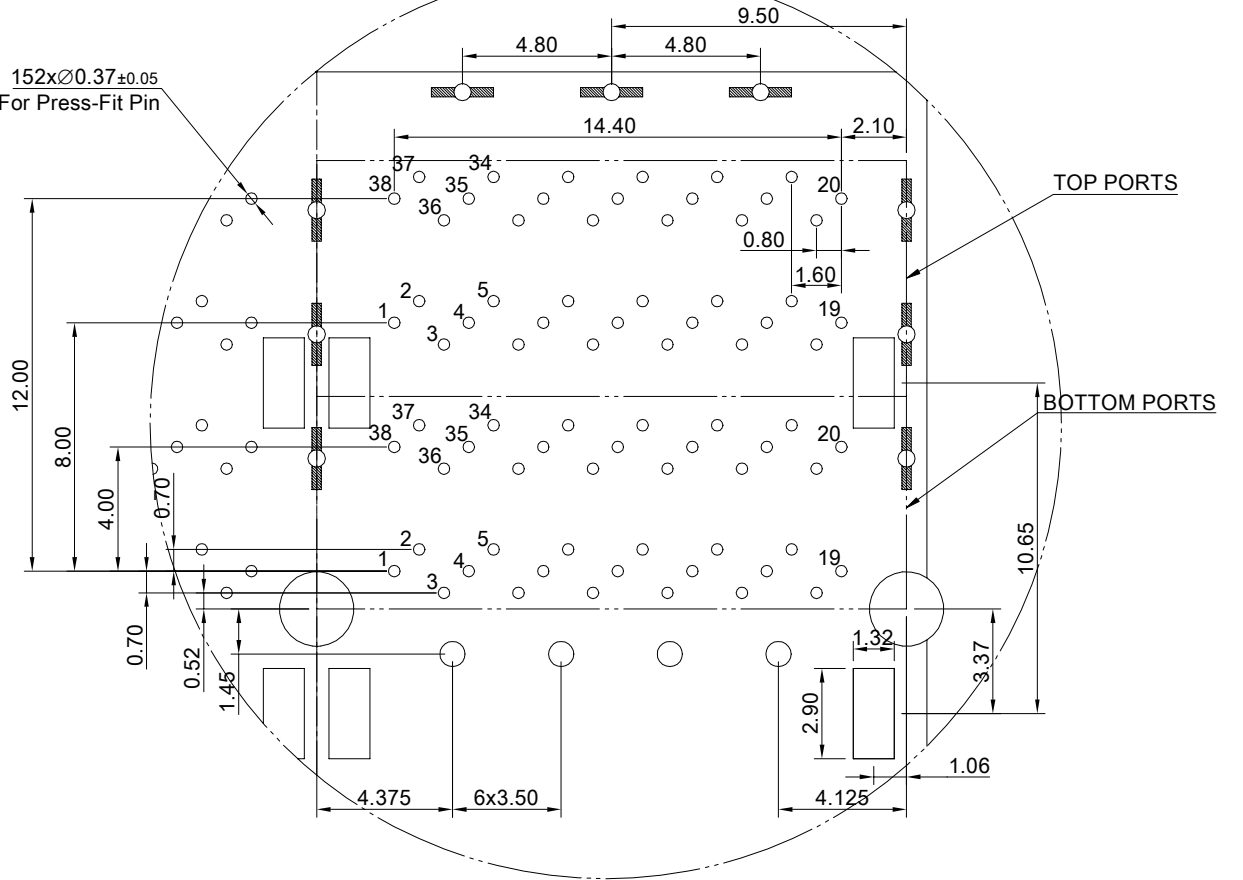
DATE: 03/21/2024

THIS PRINT IS
PRELIMINARY
UNQUALIFIED PRODUCT
CONTACT PRODUCT ENGINEERING
BEFORE USING THIS PRINT



RECOMMENDED PCB LAYOUT
TOLERANCE: \pm 0.05
MINIMUM PCB THICKNESS OF 1.57MM

152x \varnothing 0.37 \pm 0.05
For Press-Fit Pin



DETAIL C
SCALE 4:1



TITLE: Stacked QSFP56 2x2 Assembly w/
Internal / External Heat Sink & Light Pipe

DWG#: R-TR-DZQT2-4CGNLI-AIO-4

UNIT: mm
SCALE: A4 1:1

FINISH:

SHEET: 2/3
REV. REF

THIRD ANGLE
PROJECTION

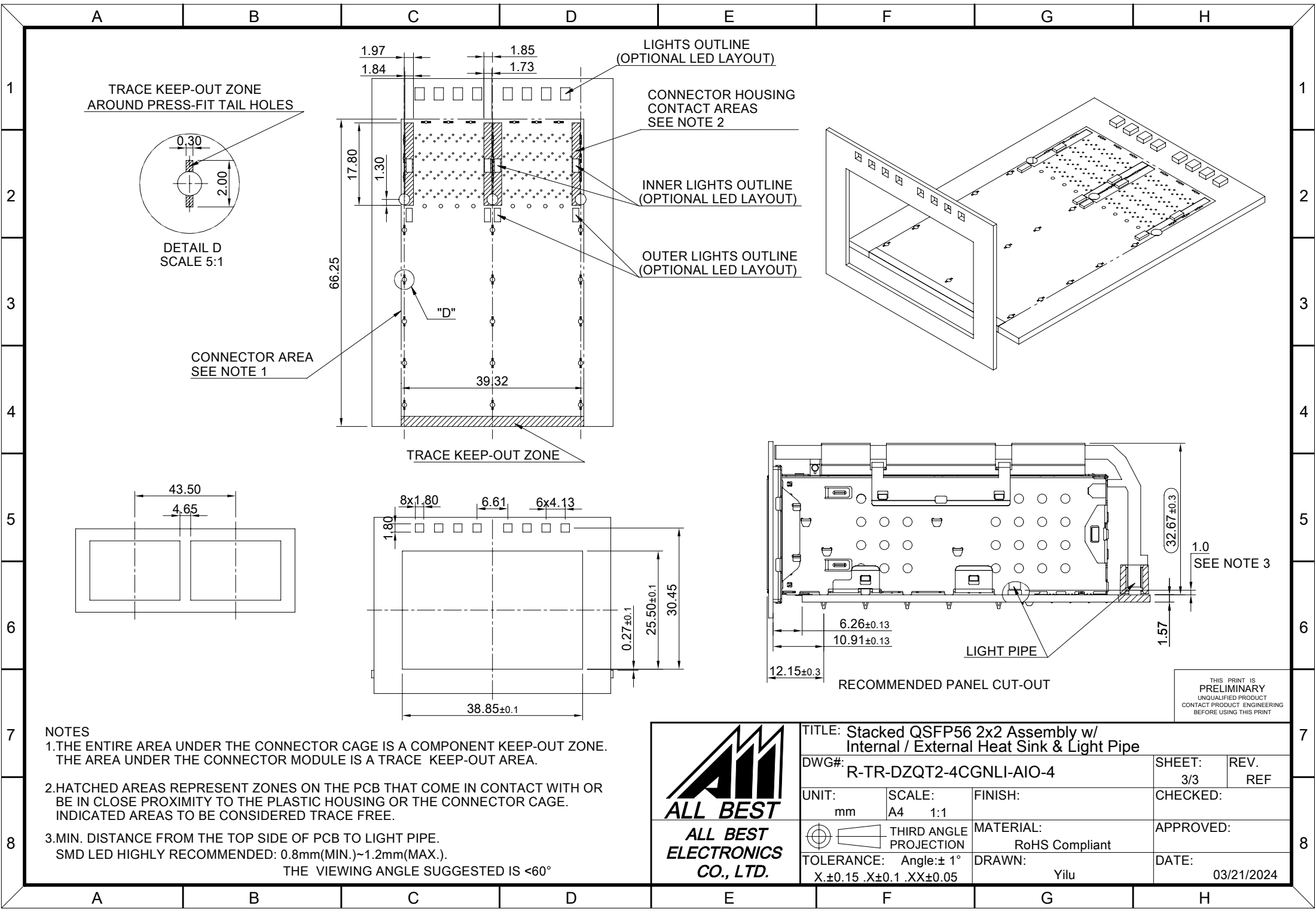
MATERIAL:
RoHS Compliant

TOLERANCE: Angle: \pm 1°
X: \pm 0.15 .X: \pm 0.1 .XX: \pm 0.05

DRAWN: Yilu

APPROVED:

DATE: 03/21/2024



- NOTES**
1. THE ENTIRE AREA UNDER THE CONNECTOR CAGE IS A COMPONENT KEEP-OUT ZONE. THE AREA UNDER THE CONNECTOR MODULE IS A TRACE KEEP-OUT AREA.
 2. HATCHED AREAS REPRESENT ZONES ON THE PCB THAT COME IN CONTACT WITH OR BE IN CLOSE PROXIMITY TO THE PLASTIC HOUSING OR THE CONNECTOR CAGE. INDICATED AREAS TO BE CONSIDERED TRACE FREE.
 3. MIN. DISTANCE FROM THE TOP SIDE OF PCB TO LIGHT PIPE.
SMD LED HIGHLY RECOMMENDED: 0.8mm(MIN.)~1.2mm(MAX.).
THE VIEWING ANGLE SUGGESTED IS <60°

THIS PRINT IS
PRELIMINARY
UNQUALIFIED PRODUCT
CONTACT PRODUCT ENGINEERING
BEFORE USING THIS PRINT

<p>ALL BEST ELECTRONICS CO., LTD.</p>	TITLE: Stacked QSFP56 2x2 Assembly w/ Internal / External Heat Sink & Light Pipe		SHEET: 3/3		REV. REF	
	DWG#: R-TR-DZQT2-4CGNLI-AIO-4				CHECKED:	
	UNIT: mm	SCALE: A4 1:1	FINISH:		APPROVED:	
	TOLERANCE: X:±0.15 .X±0.1 .XX±0.05		THIRD ANGLE PROJECTION	MATERIAL: RoHS Compliant		DATE: 03/21/2024