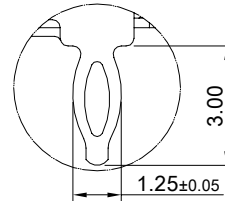
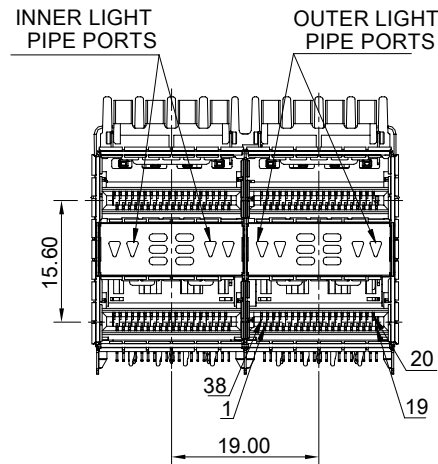
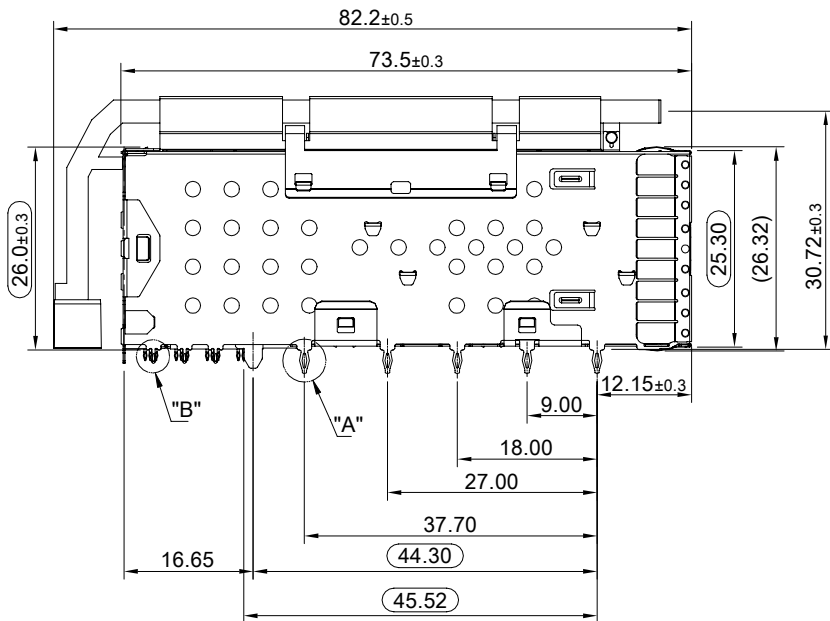
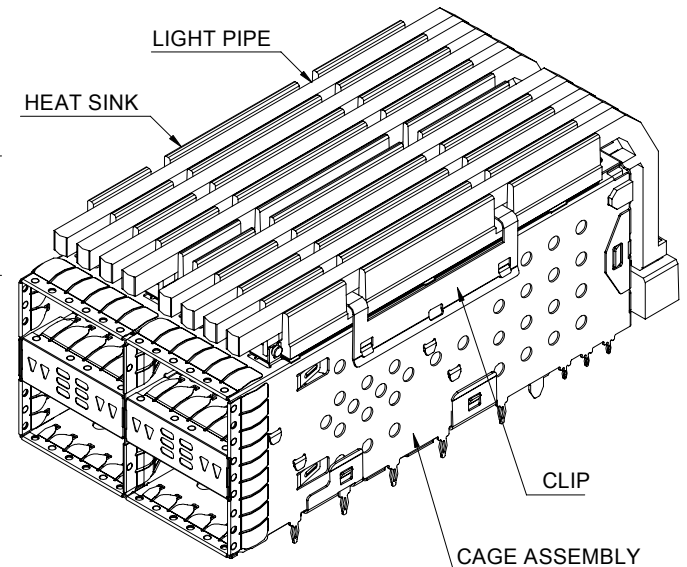


DETAIL B  
SCALE 5:1



DETAIL A  
SCALE 5:1



**MATERIAL**  
 CAGE: NICKEL SILVER  
 CONNECTOR HOUSING: THERMOPLASTIC, UL 94V-0(LCP)  
 INSULATOR COLOR: DEEP GRAY  
 EMI SPRING: STAINLESS STEEL  
 CONTACTS: COPPER ALLOY  
 HEAT SINK: ALUMINUM  
 HEAT SINK CLIP: STAINLESS STEEL  
 LIGHT PIPE: PC  
 LIGHT SHIELD: THERMOPLASTIC

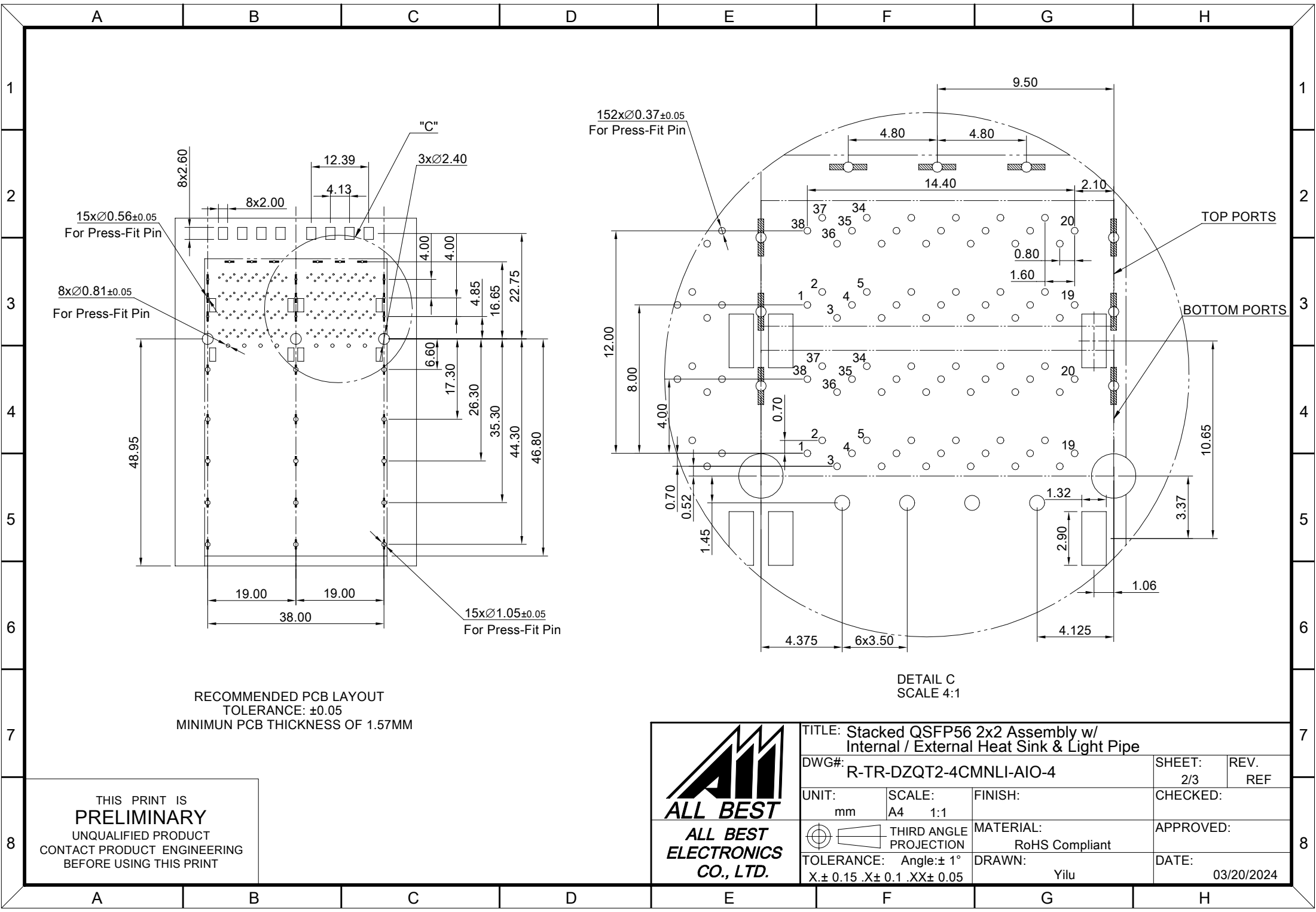
**FINISH**  
 HEAT SINK: ANODE PROCESS  
 CONTACT: 15µ" MIN. GOLD ON MATING END;  
 30µ" MIN. MATTE TIN ON TERMINAL END;  
 ALL UNDERPLATED 50µ" MIN. NICKEL

**ELECTRICAL CHARACTERISTICS**  
 CONTACT CURRENT RATING: 0.5 AMPERE  
 VOLTAGE RATING: 30VAC  
 CONTACT RESISTANCE: 80 mΩ MAX.  
 DIELECTRIC WITHSTANDING VOLTAGE: 300VAC

THIS PRINT IS  
**PRELIMINARY**  
 UNQUALIFIED PRODUCT  
 CONTACT PRODUCT ENGINEERING  
 BEFORE USING THIS PRINT



TITLE: Stacked QSFP56 2x2 Assembly w/ Internal / External Heat Sink & Light Pipe			
DWG#: R-TR-DZQT2-4CMNLI-AIO-4		SHEET: 1/3	REV. REF
UNIT: mm	SCALE: A4 1:1	FINISH:	CHECKED:
THIRD ANGLE PROJECTION		MATERIAL: RoHS Compliant	APPROVED:
TOLERANCE: Angle: ± 1° X ± 0.25 .X ± 0.20 .XX ± 0.15		DRAWN: Yilu	DATE: 03/20/2024



RECOMMENDED PCB LAYOUT  
 TOLERANCE: ±0.05  
 MINIMUM PCB THICKNESS OF 1.57MM

DETAIL C  
 SCALE 4:1

THIS PRINT IS  
**PRELIMINARY**  
 UNQUALIFIED PRODUCT  
 CONTACT PRODUCT ENGINEERING  
 BEFORE USING THIS PRINT

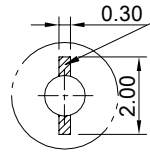


TITLE: Stacked QSFP56 2x2 Assembly w/ Internal / External Heat Sink & Light Pipe		SHEET: 2/3	REV. REF
DWG#: R-TR-DZQT2-4CMNLI-AIO-4		CHECKED:	APPROVED:
UNIT: mm	SCALE: A4 1:1	FINISH:	MATERIAL: RoHS Compliant
TOLERANCE: Angle: ±1° X ± 0.15 .X ± 0.1 .XX ± 0.05		DRAWN: Yilu	DATE: 03/20/2024



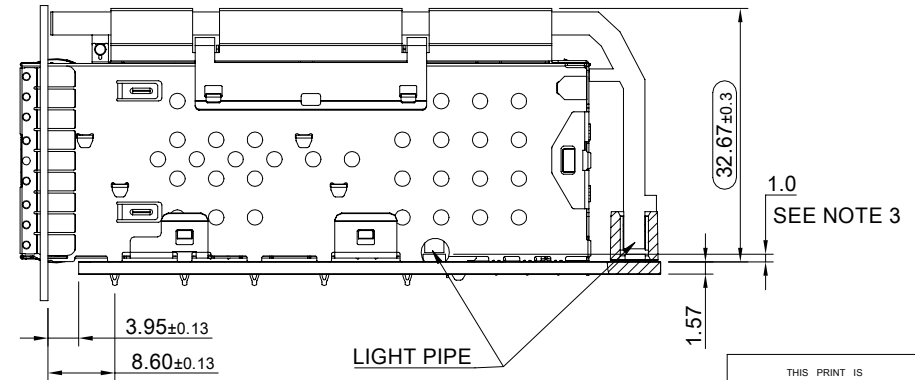
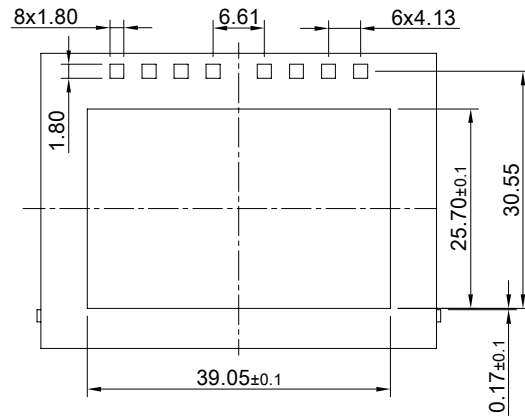
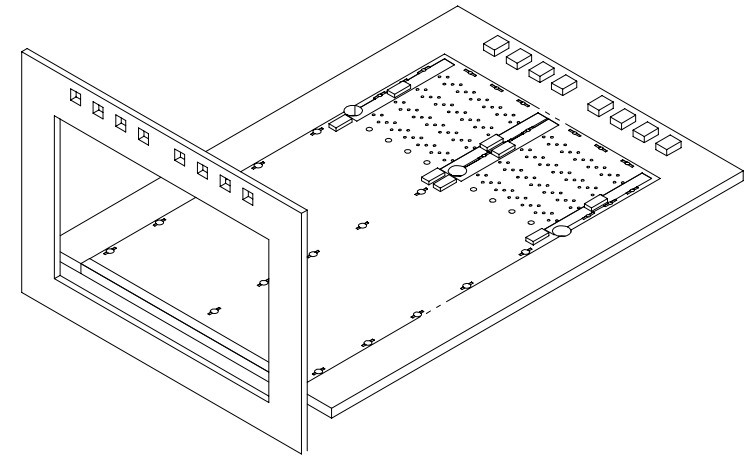
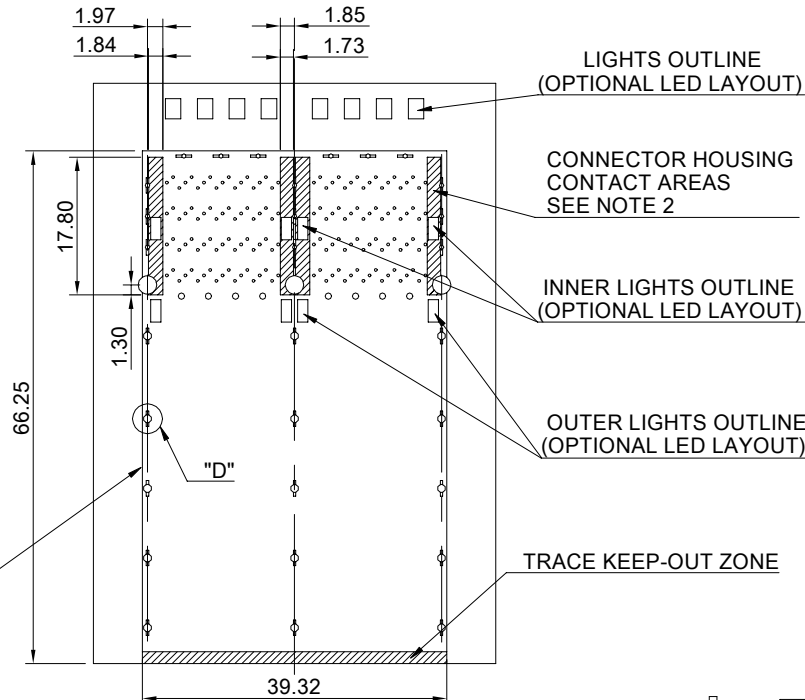
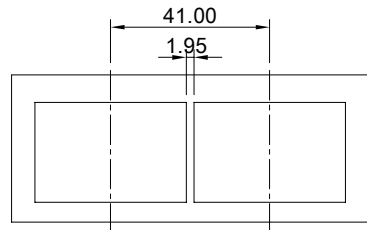
THIRD ANGLE  
 PROJECTION

TRACE KEEP-OUT ZONE  
AROUND PRESS-FIT TAIL HOLES



DETAIL D  
SCALE 5:1

CONNECTOR AREA  
SEE NOTE 1



THIS PRINT IS  
PRELIMINARY  
UNQUALIFIED PRODUCT  
CONTACT PRODUCT ENGINEERING  
BEFORE USING THIS PRINT

NOTES

1. THE ENTIRE AREA UNDER THE CONNECTOR CAGE IS A COMPONENT KEEP-OUT ZONE.  
THE AREA UNDER THE CONNECTOR MODULE IS A TRACE KEEP-OUT AREA.

2. HATCHED AREAS REPRESENT ZONES ON THE PCB THAT COME IN CONTACT WITH OR  
BE IN CLOSE PROXIMITY TO THE PLASTIC HOUSING OR THE CONNECTOR CAGE.  
INDICATED AREAS TO BE CONSIDERED TRACE FREE.

3. MIN. DISTANCE FROM THE TOP SIDE OF PCB TO LIGHT PIPE.  
SMD LED HIGHLY RECOMMENDED: 0.8mm(MIN.)~1.2mm(MAX.).  
THE VIEWING ANGLE SUGGESTED IS <math><60^\circ</math>



TITLE: Stacked QSFP56 2x2 Assembly w/  
Internal / External Heat Sink & Light Pipe

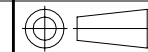
DWG#: R-TR-DZQT2-4CMNLI-AIO-4

UNIT: mm

SCALE: A4 1:1

FINISH:

SHEET: 3/3  
REV. REF



THIRD ANGLE  
PROJECTION

MATERIAL:  
RoHS Compliant

APPROVED:

TOLERANCE: Angle:  $\pm 1^\circ$   
X:  $\pm 0.15$  .X:  $\pm 0.1$  .XX:  $\pm 0.05$

DRAWN:  
Yilu

DATE:  
03/20/2024