

**MATERIAL**  
 CAGE: NICKEL SILVER  
 CONNECTOR HOUSING: THERMOPLASTIC, UL 94V-0(LCP)  
 INSULATOR COLOR: DEEP GRAY  
 EMI SPRING: STAINLESS STEEL  
 CONTACTS: COPPER ALLOY  
 HEAT SINK: ALUMINUM  
 HEAT SINK CLIP: STAINLESS STEEL  
 LIGHT PIPE: PC  
 LIGHT SHIELD: THERMOPLASTIC

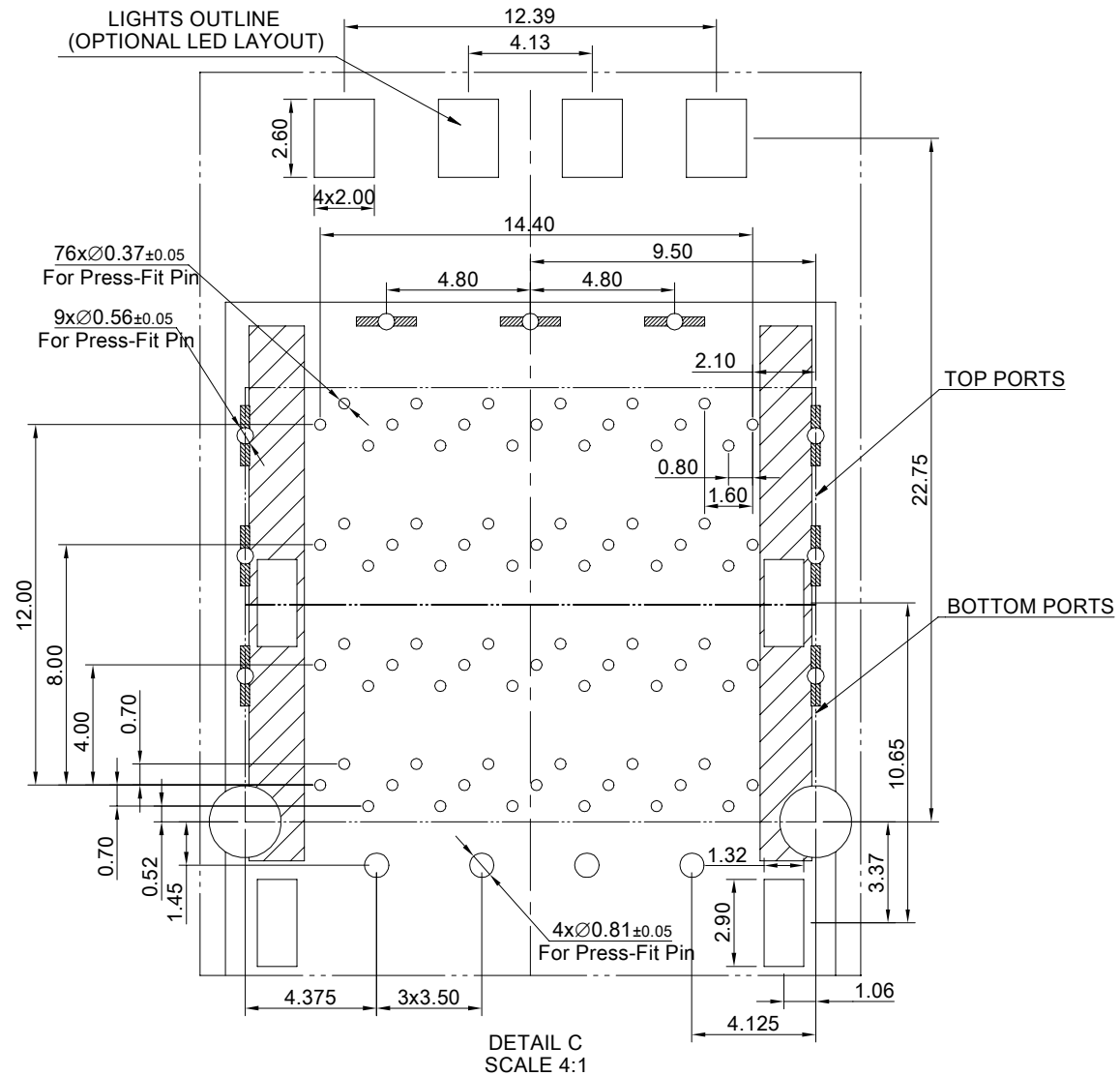
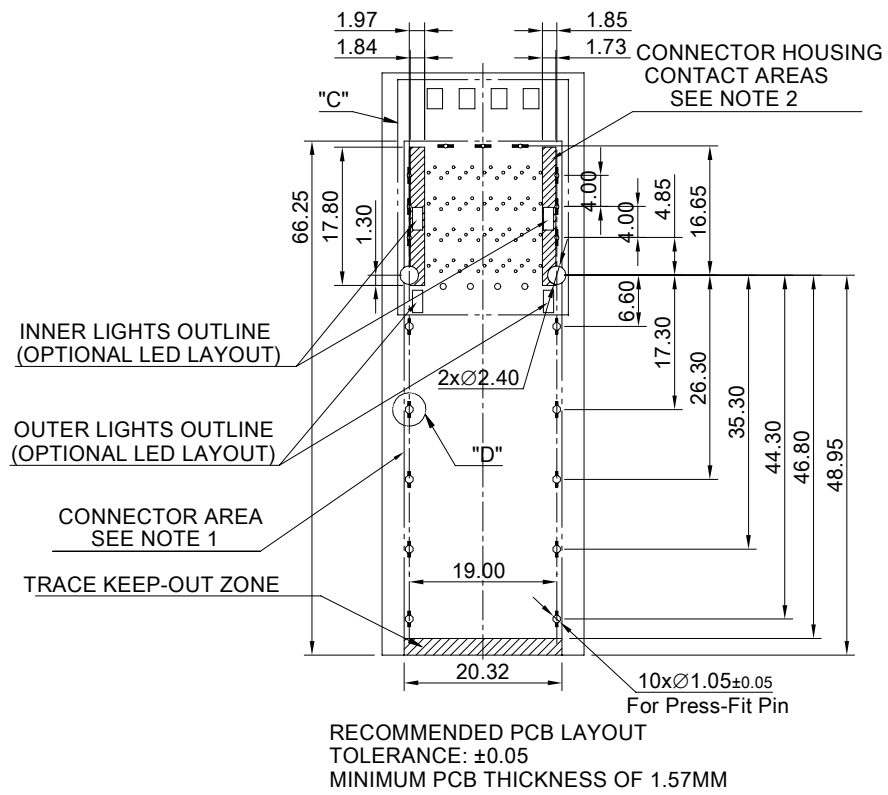
**FINISH**  
 HEAT SINK: ANODE PROCESS  
 CONTACT: 15µ" MIN. GOLD ON MATING END;  
 30µ" MIN. MATTE TIN ON TERMINAL END;  
 ALL UNDERPLATED 50µ" MIN. NICKEL

**ELECTRICAL CHARACTERISTICS**  
 CONTACT CURRENT RATING: 0.5AMPERE  
 VOLTAGE RATING: 30VAC  
 CONTACT RESISTANCE: 80 mΩ MAX.  
 DIELECTRIC WITHSTANDING VOLTAGE: 300VAC

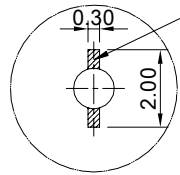
THIS PRINT IS  
**PRELIMINARY**  
 UNQUALIFIED PRODUCT  
 CONTACT PRODUCT ENGINEERING  
 BEFORE USING THIS PRINT



<b>TITLE:</b> Stacked QSFP56 2x1 Assembly w/ Internal / External Heat Sink & Light Pipe			
<b>DWG#:</b> R-TR-DZQT1-4CMNLI-AIO-4		<b>SHEET:</b> 1/3	<b>REV.</b> REF
<b>UNIT:</b> mm	<b>SCALE:</b> A4 1:1	<b>FINISH:</b>	<b>CHECKED:</b>
<b>THIRD ANGLE PROJECTION</b>		<b>MATERIAL:</b> RoHS Compliant	<b>APPROVED:</b>
<b>TOLERANCE:</b> Angle: ± 1° X: ±0.25 .X: ±0.20 .XX: ±0.15		<b>DRAWN:</b> Yilu	<b>DATE:</b> 03/21/2024



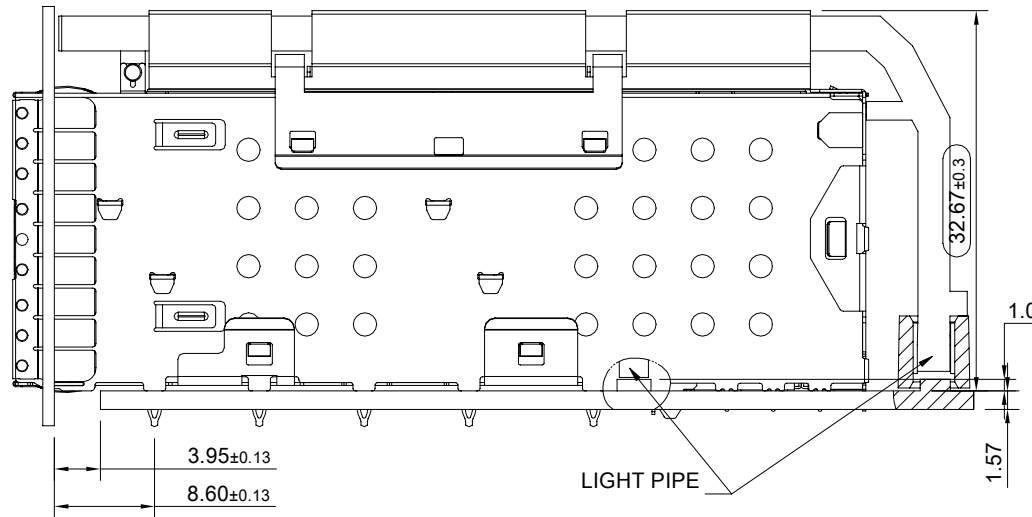
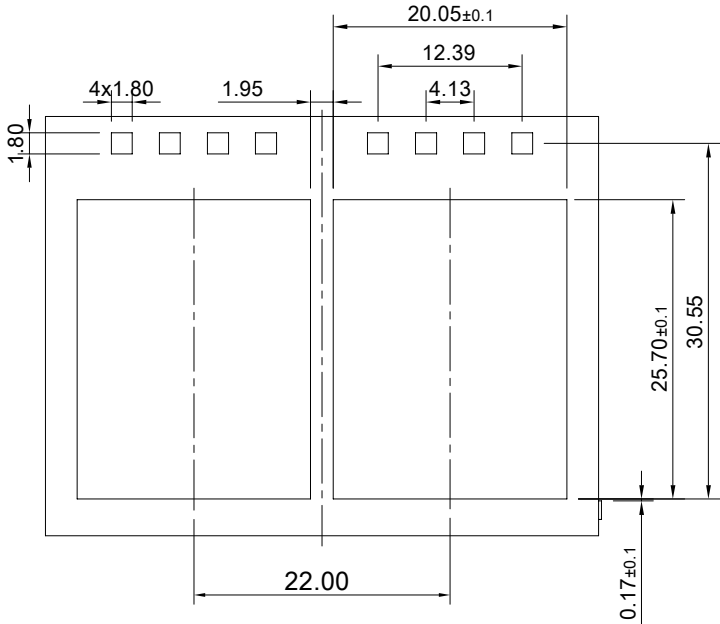
TRACE KEEP-OUT ZONE  
AROUND PRESS-FIT TAIL HOLES



THIS PRINT IS  
**PRELIMINARY**  
UNQUALIFIED PRODUCT  
CONTACT PRODUCT ENGINEERING  
BEFORE USING THIS PRINT



TITLE: Stacked QSFP56 2x1 Assembly w/ Internal / External Heat Sink & Light Pipe		SHEET: 2/3	REV. REF
DWG#: R-TR-DZQT1-4CMNLI-AIO-4		CHECKED:	APPROVED:
UNIT: mm	SCALE: A4 1:1	FINISH:	MATERIAL: RoHS Compliant
TOLERANCE: Angle: $\pm 1^\circ$ X. $\pm 0.15$ .X $\pm 0.1$ .XX $\pm 0.05$		DRAWN: Yilu	DATE: 03/21/2024



RECOMMENDED PANEL CUT-OUT

SEE NOTE 3

NOTES

1. THE ENTIRE AREA UNDER THE CONNECTOR CAGE IS A COMPONENT KEEP-OUT ZONE. THE AREA UNDER THE CONNECTOR MODULE IS A TRACE KEEP-OUT AREA.
2. HATCHED AREAS REPRESENT ZONES ON THE PCB THAT COME IN CONTACT WITH OR BE IN CLOSE PROXIMITY TO THE PLASTIC HOUSING OR THE CONNECTOR CAGE. INDICATED AREAS TO BE CONSIDERED TRACE FREE.
3. MIN. DISTANCE FROM THE TOP SIDE OF PCB TO LIGHT PIPE. SMD LED HIGHLY RECOMMENDED : 0.8mm(MIN.)~1.2mm(MAX.). THE VIEWING ANGLE SUGGESTED IS <60°

THIS PRINT IS  
**PRELIMINARY**  
UNQUALIFIED PRODUCT  
CONTACT PRODUCT ENGINEERING  
BEFORE USING THIS PRINT

<p><b>ALL BEST</b> ELECTRONICS CO., LTD.</p>	TITLE: Stacked QSFP56 2x1 Assembly w/ Internal / External Heat Sink & Light Pipe		SHEET: 3/3	REV. REF
	DWG#: R-TR-DZQT1-4CMNLI-AIO-4		CHECKED:	APPROVED:
	UNIT: mm	SCALE: A4 3:2	FINISH:	MATERIAL: RoHS Compliant
	TOLERANCE: X.±0.15 .X±0.1 .XX±0.05		DRAWN: Yilu	DATE: 03/21/2024

1  
2  
3  
4  
5  
6  
7  
8

1  
2  
3  
4  
5  
6  
7  
8

A B C D E F G H

A B C D E F G H