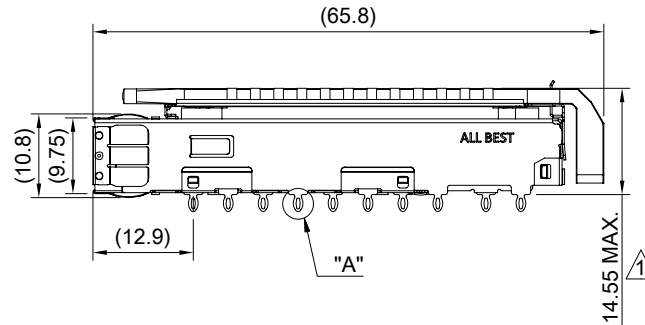
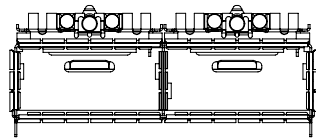
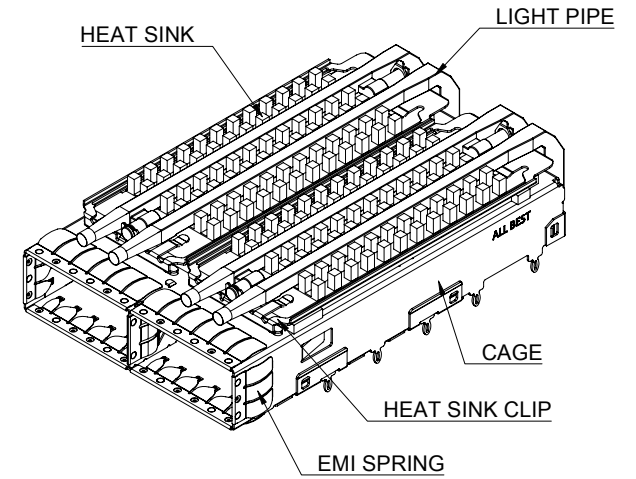


DETAIL A  
SCALE 4:1

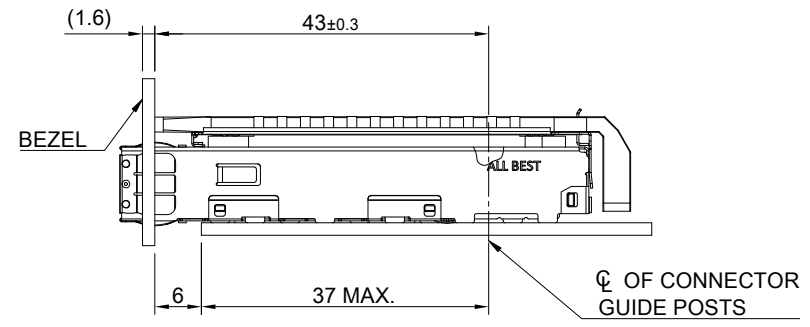
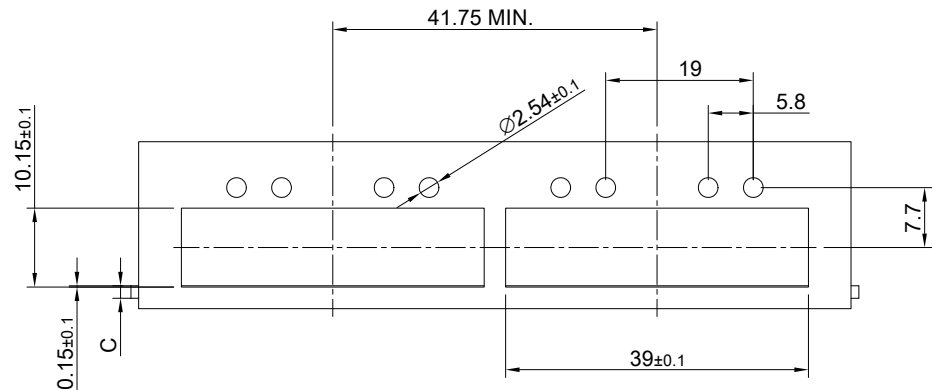


MATERIAL  
CAGE: NICKEL SILVER  
EMI SPRING: STAINLESS STEEL  
HEAT SINK: ALUMINUM  
HEAT SINK CLIP: STAINLESS STEEL  
LIGHT PIPE: PC

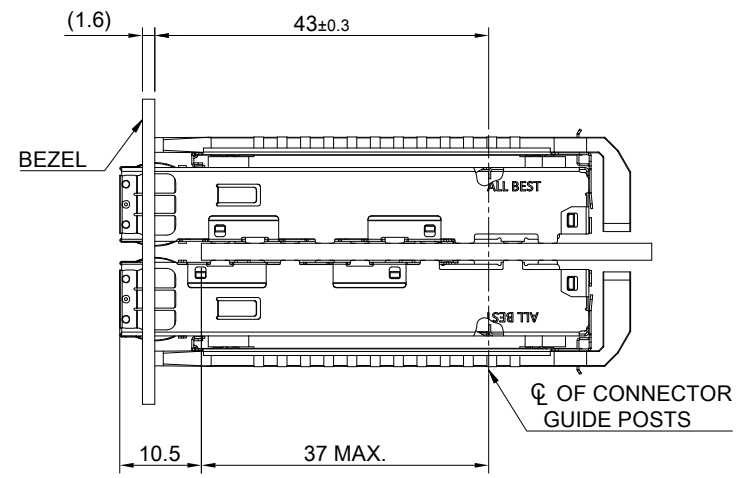
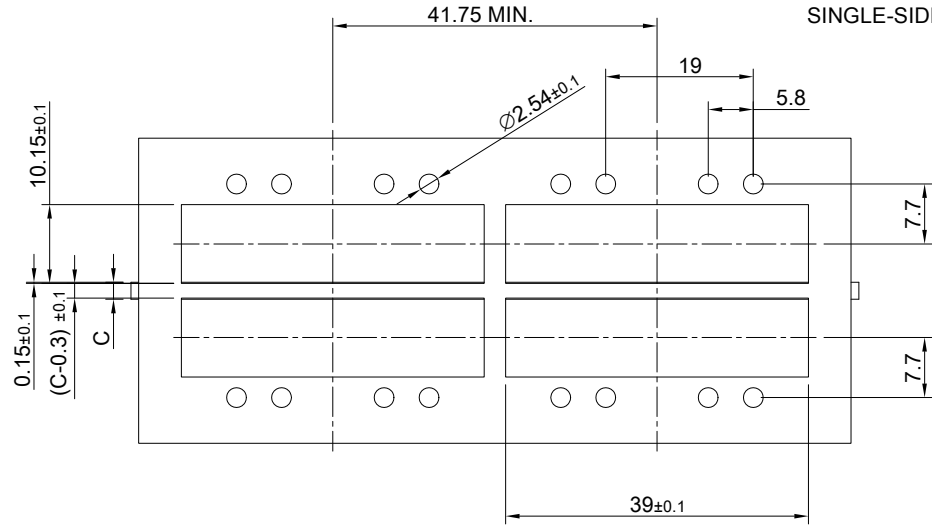
FINISH  
HEAT SINK: ANODE PROCESS

NOTE  
△ DIMENSION APPLIES WITH MODULE INSERTED IN CAGE

<p><b>ALL BEST</b> ALL BEST ELECTRONICS CO., LTD.</p>	TITLE: QSFP28 1X2 Cage Assembly w/ PCI Heat Sink & Light Pipe		SHEET: 1/4	REV. C
	DWG#: R-OR-ZQ2-4CME5-MK		CHECKED: Gary Kang	
	UNIT: mm	SCALE: A4 1:1	APPROVED: George Yang	
	TOLERANCE: X±0.25 .X±0.20 .XX±0.15		MATERIAL: RoHS Compliant	DATE: 04/21/2021
<p>THIRD ANGLE PROJECTION Angle: ± 1°</p>		DRAWN: Benson		




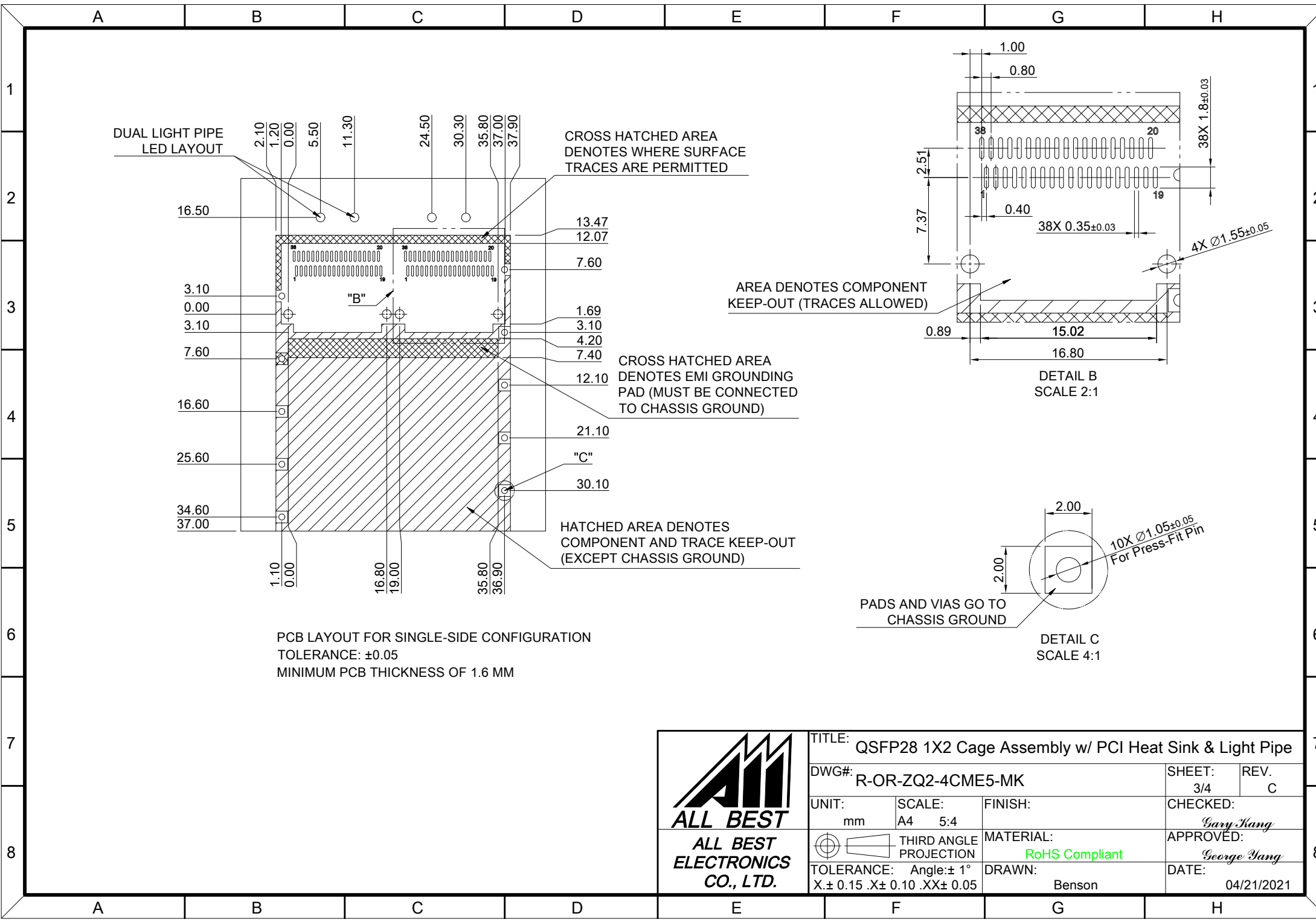
SINGLE-SIDE CONFIGURATION



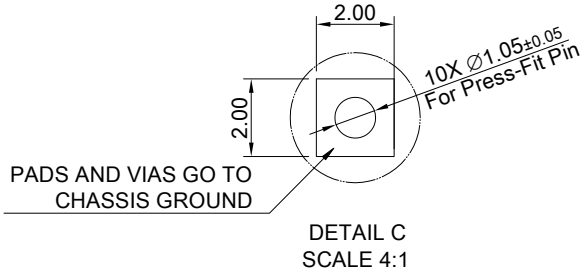
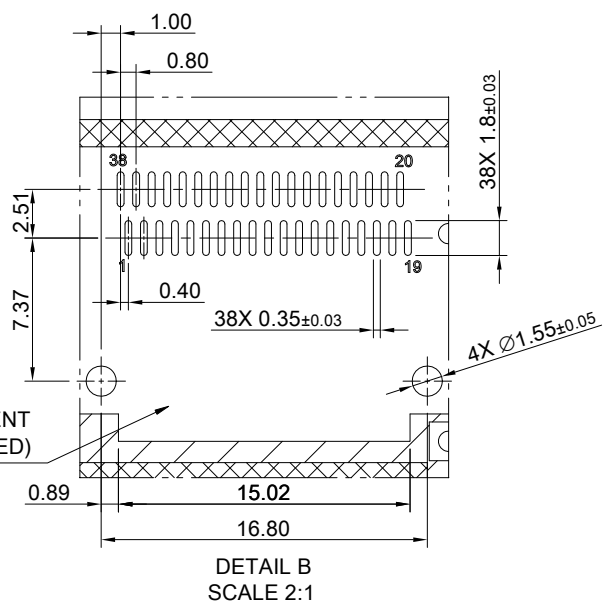
BELLY TO BELLY CONFIGURATION

C = THICKNESS OF PC BOARD  
 SINGLE-SIDE = 1.6MM (MIN.)  
 BELLY TO BELLY = 2.2MM (MIN.)

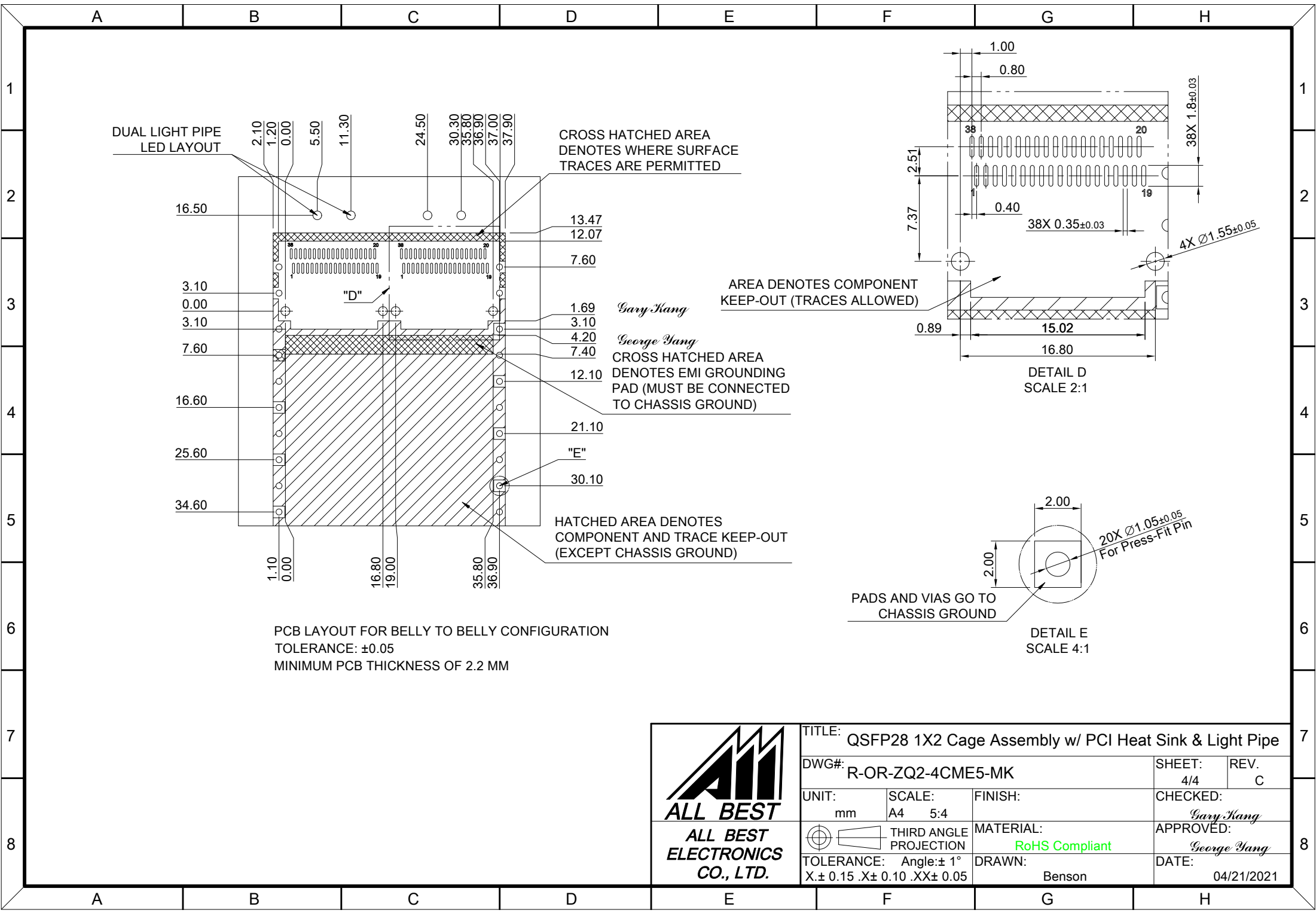
	TITLE: QSFP28 1X2 Cage Assembly w/ PCI Heat Sink & Light Pipe		SHEET: 2/4	REV. C
	DWG#: R-OR-ZQ2-4CME5-MK		CHECKED: Gary Kang	
	UNIT: mm	SCALE: A4 1:1	APPROVED: George Yang	
	TOLERANCE: Angle: ± 1° X ± 0.15 .X ± 0.10 .XX ± 0.05		MATERIAL: RoHS Compliant	DATE: 04/21/2021
		THIRD ANGLE PROJECTION	DRAWN: Benson	



PCB LAYOUT FOR SINGLE-SIDE CONFIGURATION  
 TOLERANCE:  $\pm 0.05$   
 MINIMUM PCB THICKNESS OF 1.6 MM



	TITLE: QSFP28 1X2 Cage Assembly w/ PCI Heat Sink & Light Pipe			SHEET: 3/4		REV. C	
	DWG#: R-OR-ZQ2-4CME5-MK			CHECKED: Gary Kang		APPROVED: George Yang	
	UNIT: mm	SCALE: A4 5:4	FINISH:	MATERIAL: RoHS Compliant		DATE: 04/21/2021	
	TOLERANCE: $X \pm 0.15$ .XX $\pm 0.05$		THIRD ANGLE PROJECTION	DRAWN: Benson			



PCB LAYOUT FOR BELLY TO BELLY CONFIGURATION  
 TOLERANCE:  $\pm 0.05$   
 MINIMUM PCB THICKNESS OF 2.2 MM

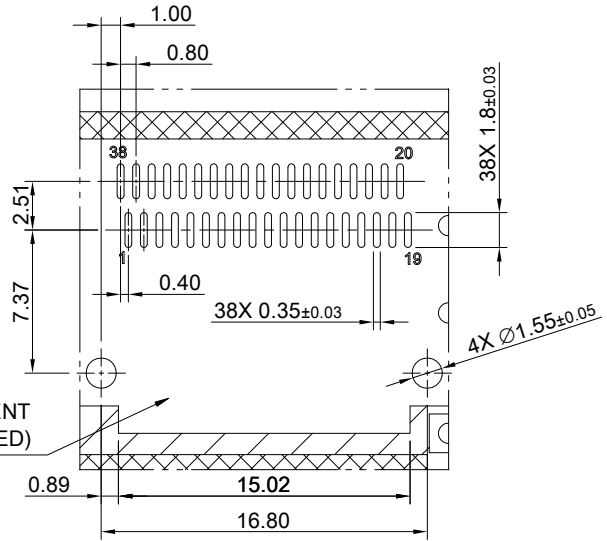
*Gary Kang*

*George Yang*

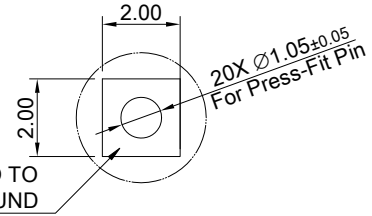
CROSS HATCHED AREA  
 DENOTES EMI GROUNDING  
 PAD (MUST BE CONNECTED  
 TO CHASSIS GROUND)

HATCHED AREA DENOTES  
 COMPONENT AND TRACE KEEP-OUT  
 (EXCEPT CHASSIS GROUND)

AREA DENOTES COMPONENT  
 KEEP-OUT (TRACES ALLOWED)



DETAIL D  
 SCALE 2:1



DETAIL E  
 SCALE 4:1

PADS AND VIAS GO TO  
 CHASSIS GROUND



TITLE: QSFP28 1X2 Cage Assembly w/ PCI Heat Sink & Light Pipe			
DWG#: R-OR-ZQ2-4CME5-MK		SHEET: 4/4	REV. C
UNIT: mm	SCALE: A4 5:4	FINISH:	CHECKED: <i>Gary Kang</i>
THIRD ANGLE PROJECTION		MATERIAL: RoHS Compliant	APPROVED: <i>George Yang</i>
TOLERANCE: Angle: $\pm 1^\circ$ X: $\pm 0.15$ .X: $\pm 0.10$ .XX: $\pm 0.05$		DRAWN: Benson	DATE: 04/21/2021