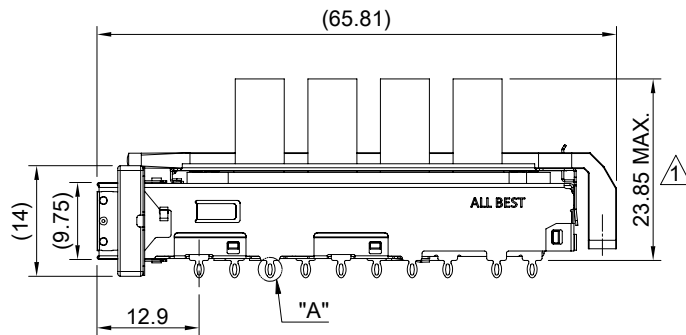
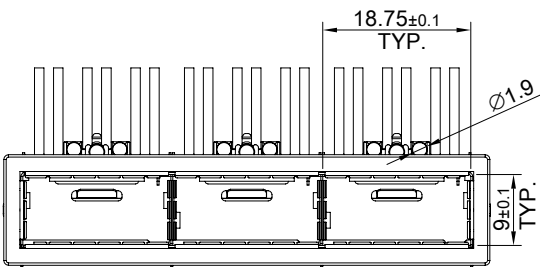
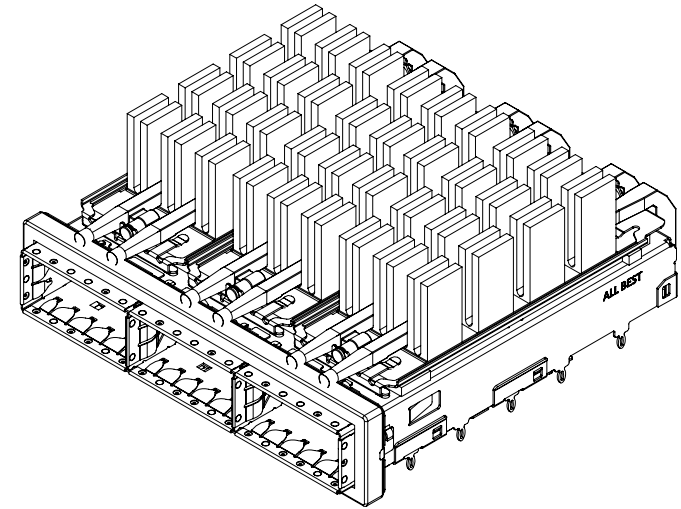


DETAIL A  
SCALE 4:1



MATERIAL  
 CAGE: NICKEL SILVER  
 EMI SPRING: STAINLESS STEEL  
 EMI GASKET FLANGE: STAINLESS STEEL  
 EMI GASKET: CONDUCTIVE ELASTOMER  
 HEAT SINK: ALUMINUM  
 HEAT SINK CLIP: STAINLESS STEEL  
 LIGHT PIPE: PC

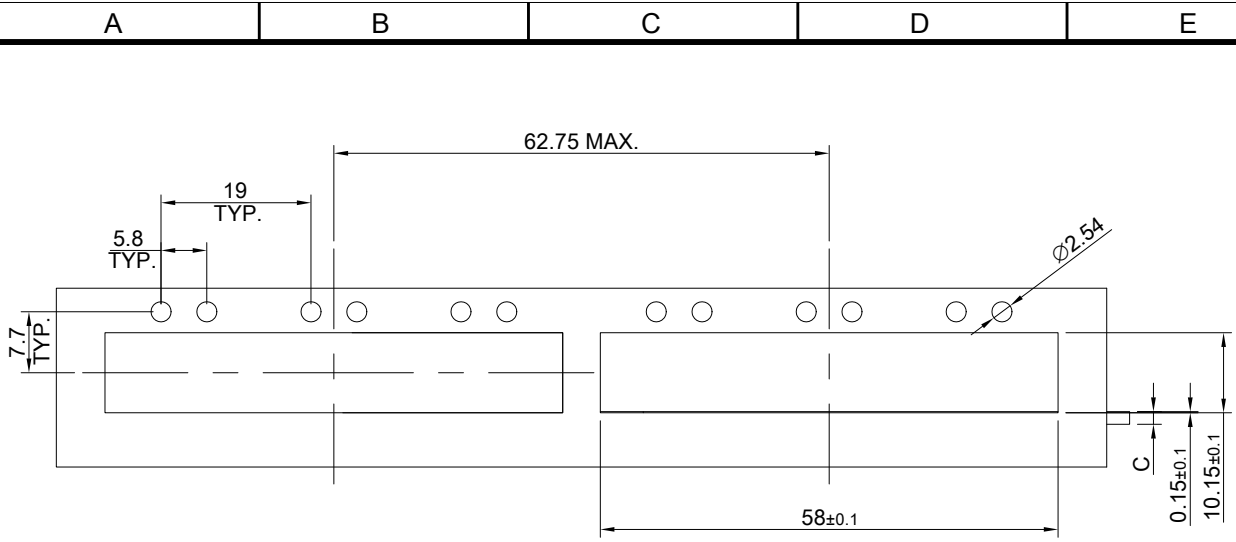
FINISH  
 HEAT SINK: ANODE PROCESS

NOTE  
 ⚠ DIMENSION APPLIES WITH MODULE INSERTED IN CAGE

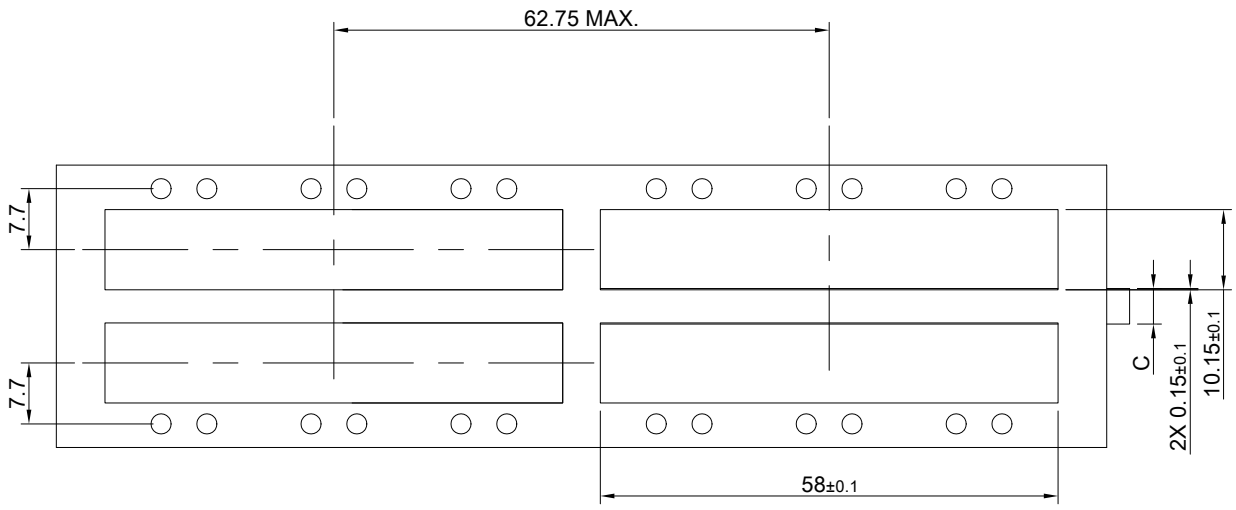
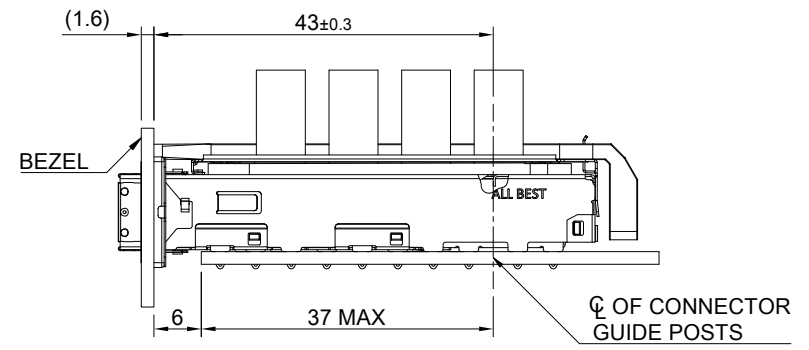
THIS PRINT IS  
**PRELIMINARY**  
 UNQUALIFIED PRODUCT  
 CONTACT PRODUCT ENGINEERING  
 BEFORE USING THIS PRINT



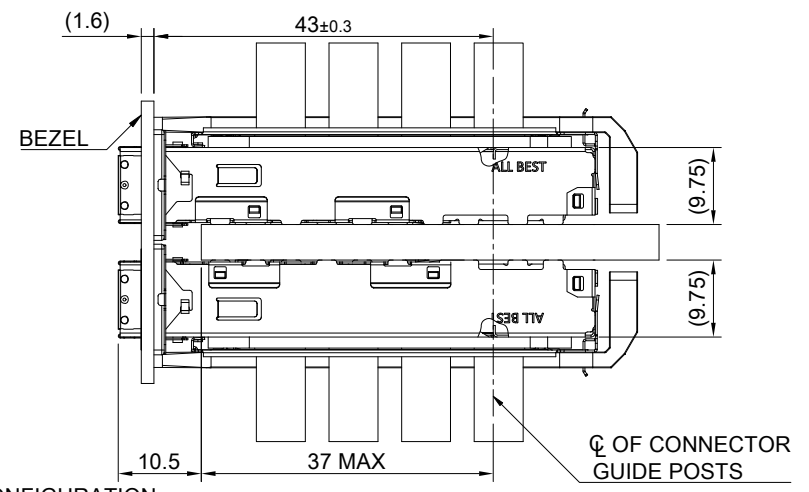
TITLE: QSFP56 1X3 Cage Assembly w/ Light Pipe & Heat Sink(NET)			
DWG#: R-OR-DZQ3-4CGED-MK		SHEET: 1/4	REV. REF
UNIT: mm	SCALE: A4 1:1	FINISH:	
TOLERANCE: Angle:± 1° X.± 0.25 .X± 0.20 .XX± 0.15		MATERIAL: RoHS Compliant	APPROVED:
THIRD ANGLE PROJECTION		DRAWN: Pohsiung	DATE: 3/14/2024



ONE SIDED CONFIGURATION



BELLY TO BELLY CONFIGURATION



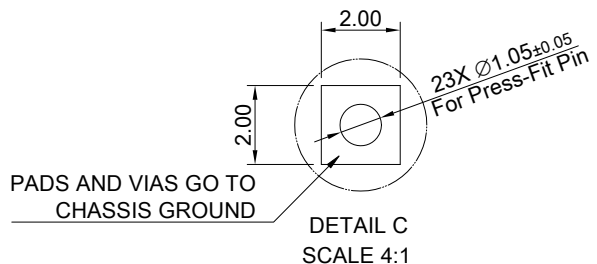
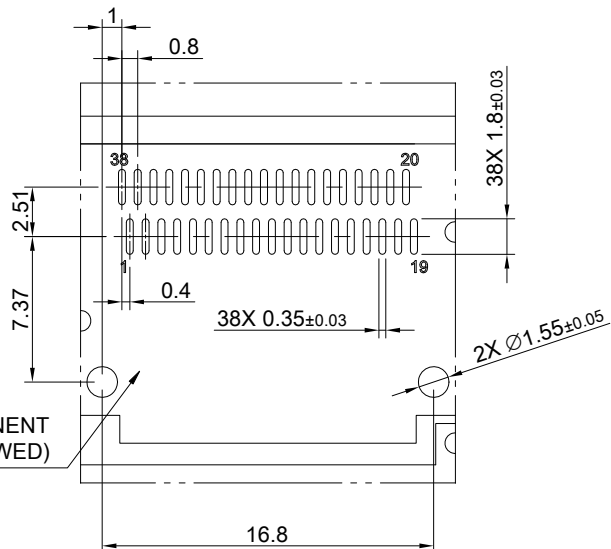
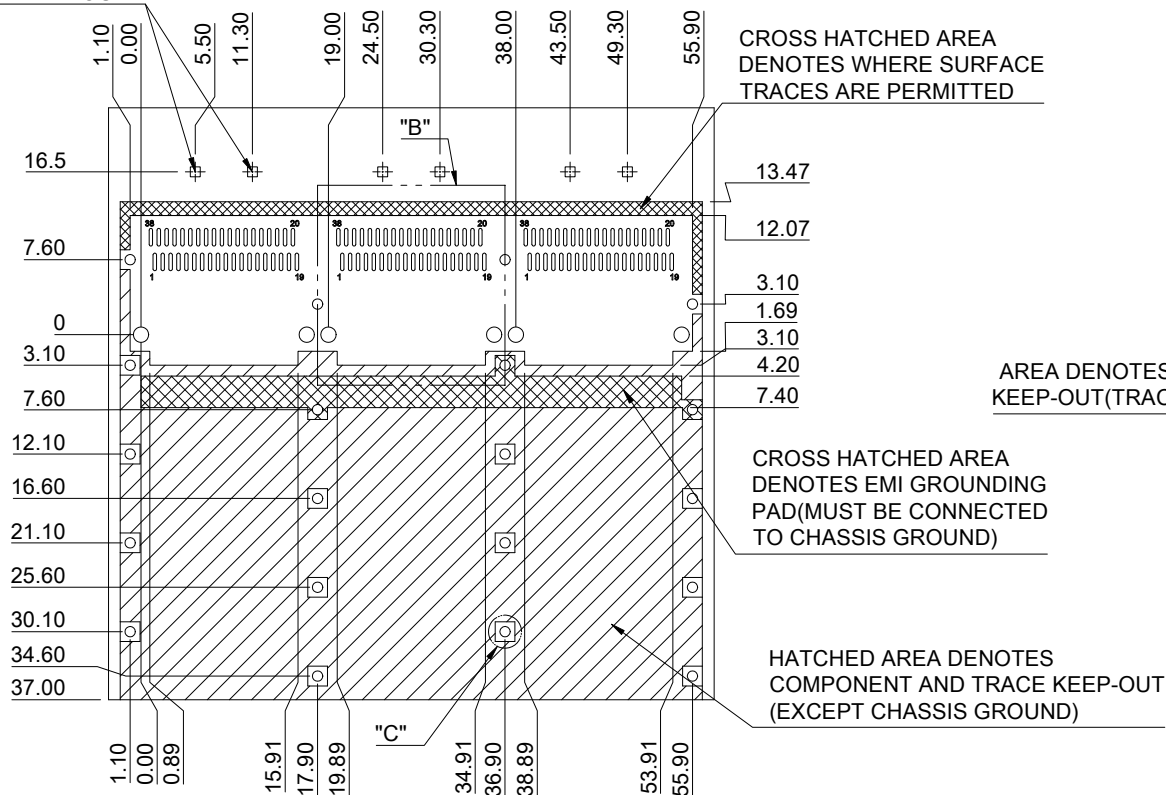
C = THICKNESS OF PC BOARD  
 SINGLE SIDED= 1.6MM(MIN)  
 DOUBLE SIDE= 4.5MM(MIN)

THIS PRINT IS  
**PRELIMINARY**  
 UNQUALIFIED PRODUCT  
 CONTACT PRODUCT ENGINEERING  
 BEFORE USING THIS PRINT





TITLE: QSFP56 1X3 Cage Assembly w/ Light Pipe & Heat Sink(NET)				
DWG#: R-OR-DZQ3-4CGED-MK			SHEET: 2/4	REV. REF
UNIT: mm	SCALE: A4 1:1	FINISH:		CHECKED:
TOLERANCE: Angle:± 1° X.± 0.15 .X± 0.10 .XX± 0.05		MATERIAL: RoHS Compliant		APPROVED:
DRAWN: Pohsiung			DATE: 3/14/2024	

DUAL LIGHT PIPE LED LAYOUT

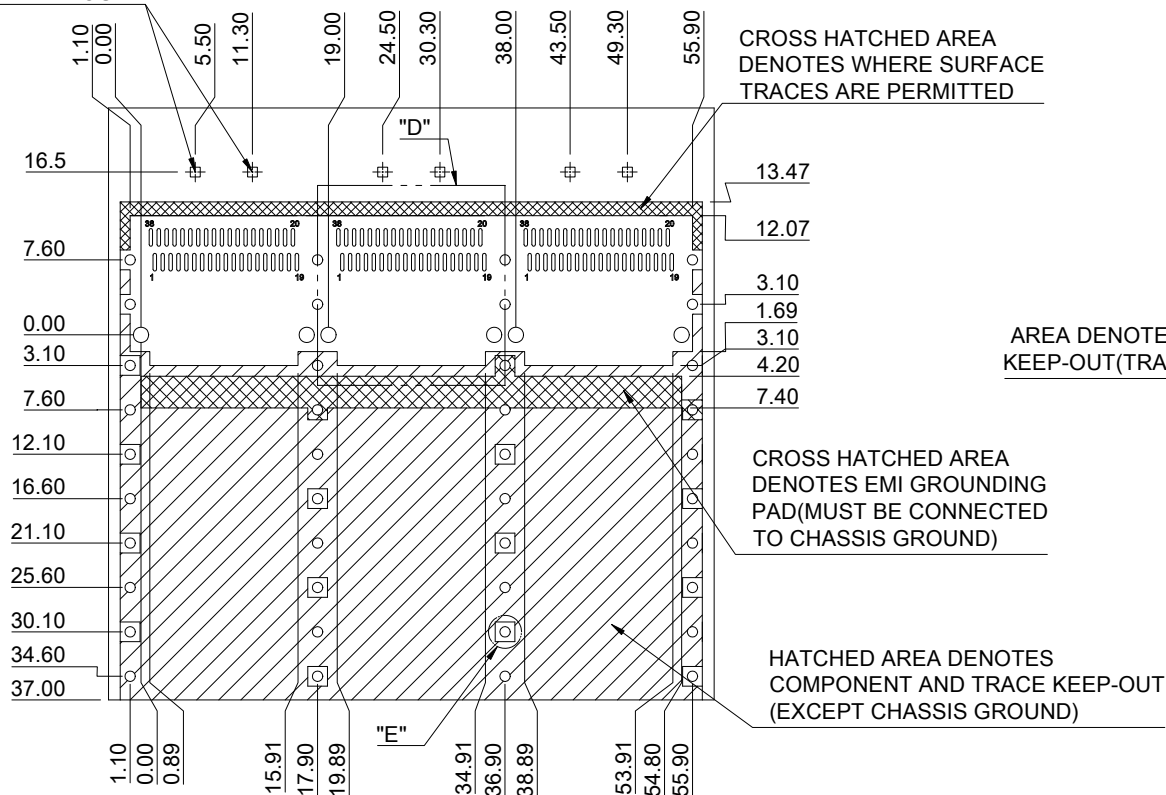


SINGLE SIDE PCB LAYOUT  
TOLERANCE: ±0.05  
MINIMUM PCB THICKNESS OF 1.6 MM

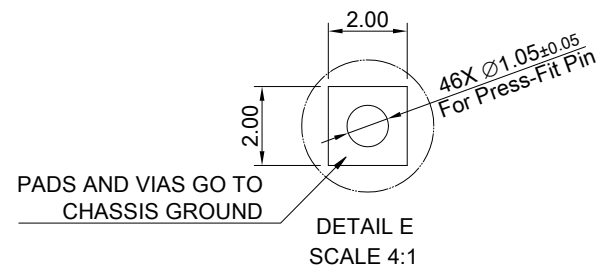
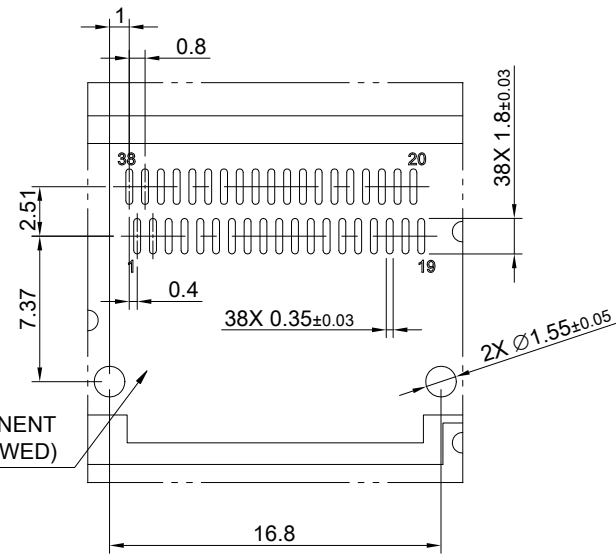
THIS PRINT IS  
**PRELIMINARY**  
UNQUALIFIED PRODUCT  
CONTACT PRODUCT ENGINEERING  
BEFORE USING THIS PRINT

 <b>ALL BEST ELECTRONICS CO., LTD.</b>		TITLE: QSFP56 1X3 Cage Assembly w/ Light Pipe & Heat Sink(NET)	
		DWG#: R-OR-DZQ3-4CGED-MK	SHEET: 3/4 REV. REF
UNIT: mm	SCALE: A4 5:4	FINISH:	CHECKED:
 THIRD ANGLE PROJECTION		MATERIAL: <b>RoHS Compliant</b>	APPROVED:
TOLERANCE: Angle: ± 1° X. ± 0.15 .X ± 0.10 .XX ± 0.05		DRAWN: Pohsiung	DATE: 3/14/2024

DUAL LIGHT PIPE LED LAYOUT



AREA DENOTES COMPONENT KEEP-OUT (TRACES ALLOWED)



SINGLE SIDE PCB LAYOUT  
TOLERANCE:  $\pm 0.05$   
MINIMUM PCB THICKNESS OF 4.5 MM

THIS PRINT IS  
**PRELIMINARY**  
UNQUALIFIED PRODUCT  
CONTACT PRODUCT ENGINEERING  
BEFORE USING THIS PRINT

		TITLE: QSFP56 1X3 Cage Assembly w/ Light Pipe & Heat Sink (NET)	
		DWG#: R-OR-DZQ3-4CGED-MK	
UNIT: mm	SCALE: A4 5:4	FINISH:	SHEET: 4/4
THIRD ANGLE PROJECTION		MATERIAL: RoHS Compliant	REV. REF
TOLERANCE: Angle: $\pm 1^\circ$ X: $\pm 0.15$ .X: $\pm 0.10$ .XX: $\pm 0.05$		DRAWN: Pohsiung	CHECKED:
		APPROVED:	DATE: 3/14/2024