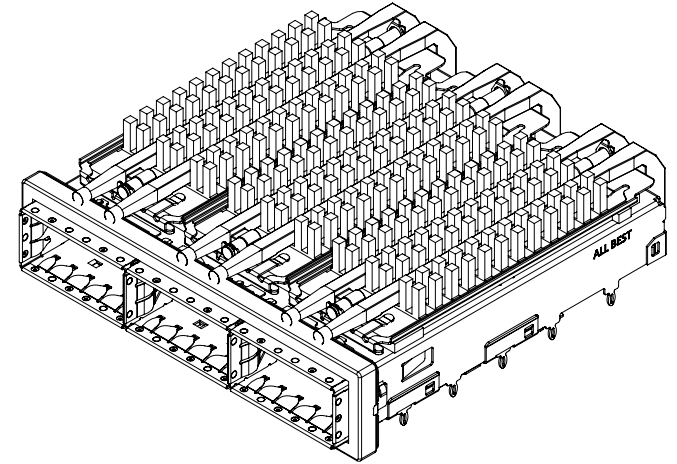


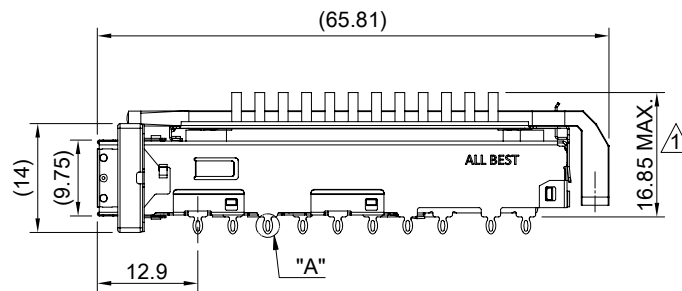
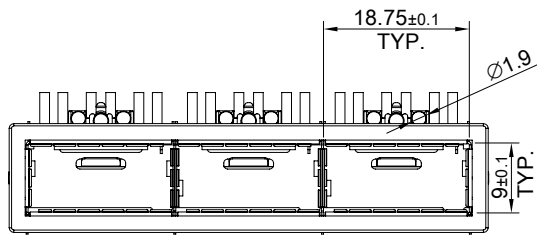
DETAIL A
SCALE 4:1



MATERIAL
 CAGE: NICKEL SILVER
 EMI SPRING: STAINLESS STEEL
 EMI GASKET FLANGE: STAINLESS STEEL
 EMI GASKET: CONDUCTIVE ELASTOMER
 HEAT SINK: ALUMINUM
 HEAT SINK CLIP: STAINLESS STEEL
 LIGHT PIPE: PC

FINISH
 HEAT SINK: ANODE PROCESS

NOTE
 ▲ DIMENSION APPLIES WITH MODULE INSERTED IN CAGE



THIS PRINT IS
PRELIMINARY
 UNQUALIFIED PRODUCT
 CONTACT PRODUCT ENGINEERING
 BEFORE USING THIS PRINT

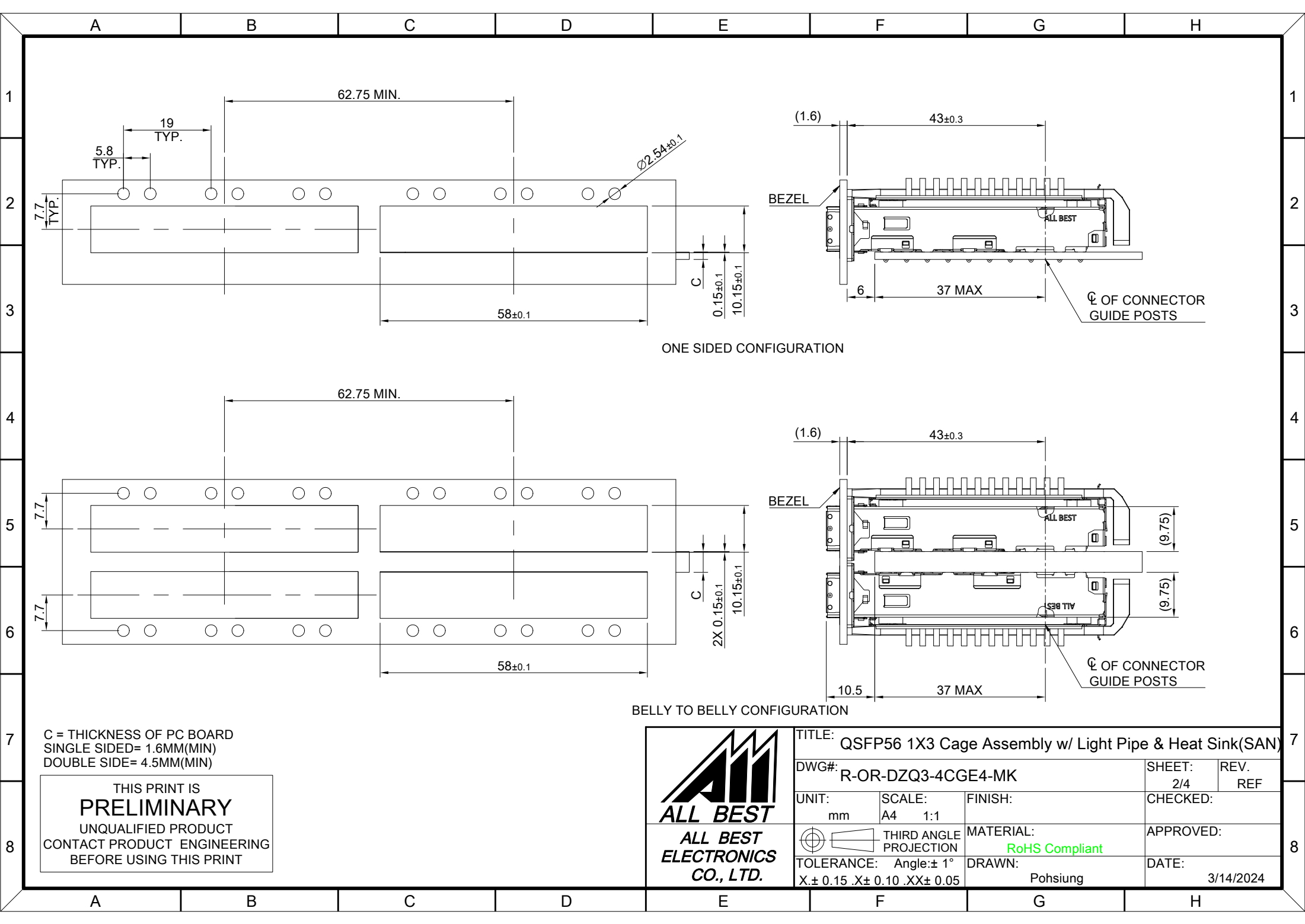


TITLE: QSFP56 1X3 Cage Assembly w/ Light Pipe & Heat Sink(SAN)		SHEET: 1/4	REV. REF
DWG#: R-OR-DZQ3-4CGE4-MK		CHECKED:	APPROVED:
UNIT: mm	SCALE: A4 1:1	MATERIAL: RoHS Compliant	
TOLERANCE: Angle: ± 1° X.± 0.25 .X± 0.20 .XX± 0.15		DRAWN: Pohsiung	DATE: 3/14/2024

1
2
3
4
5
6
7
8

1
2
3
4
5
6
7
8

A B C D E F G H



ONE SIDED CONFIGURATION

BELLY TO BELLY CONFIGURATION

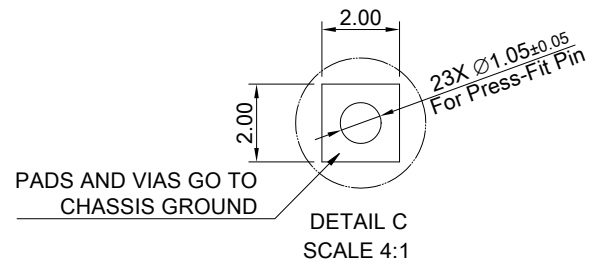
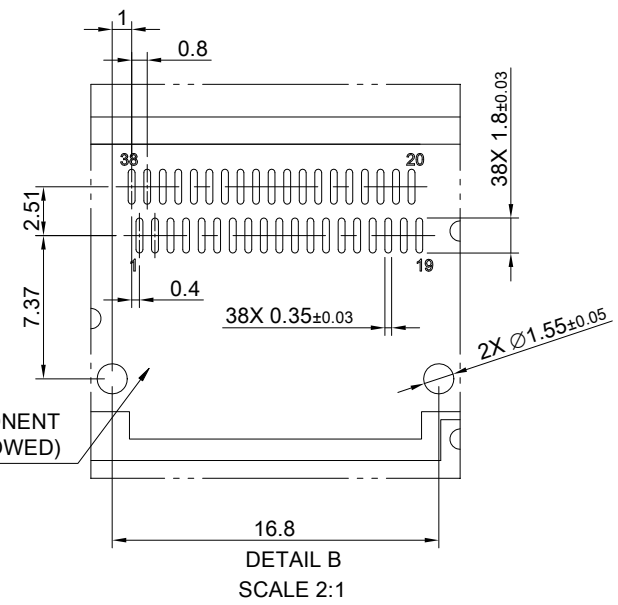
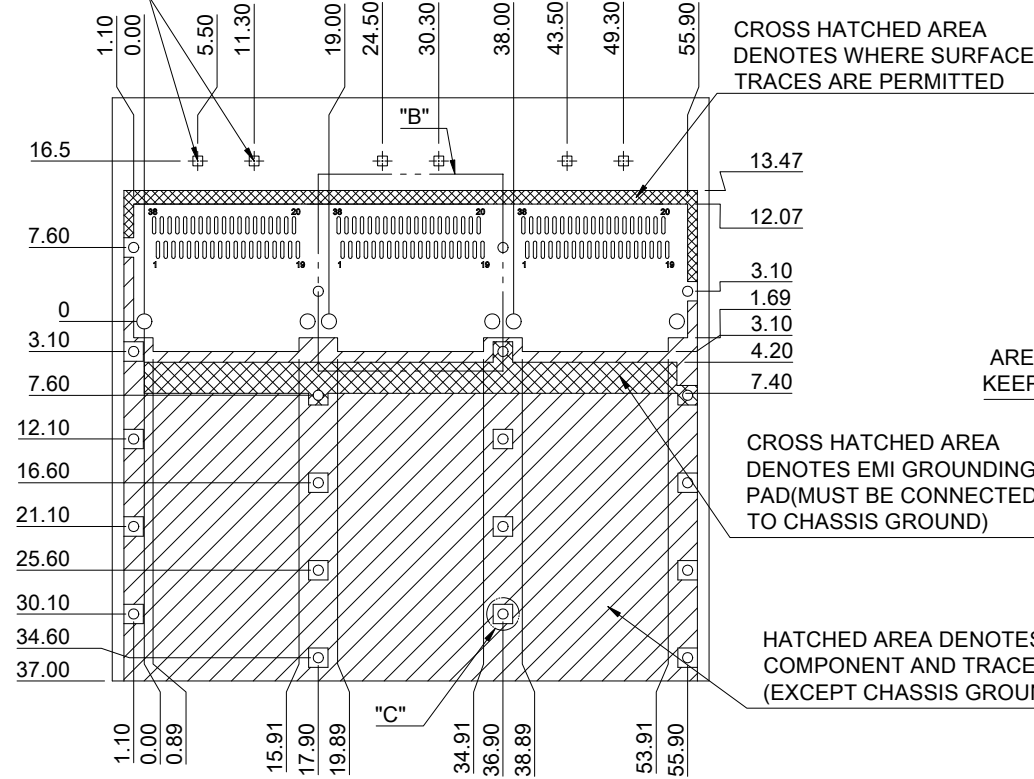
C = THICKNESS OF PC BOARD
 SINGLE SIDED= 1.6MM(MIN)
 DOUBLE SIDE= 4.5MM(MIN)

THIS PRINT IS
PRELIMINARY
 UNQUALIFIED PRODUCT
 CONTACT PRODUCT ENGINEERING
 BEFORE USING THIS PRINT



TITLE: QSFP56 1X3 Cage Assembly w/ Light Pipe & Heat Sink(SAN)			
DWG#: R-OR-DZQ3-4CGE4-MK		SHEET: 2/4	REV. REF
UNIT: mm	SCALE: A4 1:1	CHECKED:	
THIRD ANGLE PROJECTION		APPROVED:	
TOLERANCE: Angle: ± 1°		MATERIAL: RoHS Compliant	DATE:
X.± 0.15 .X± 0.10 .XX± 0.05		Drawn: Pohsiung	3/14/2024

DUAL LIGHT PIPE LED LAYOUT

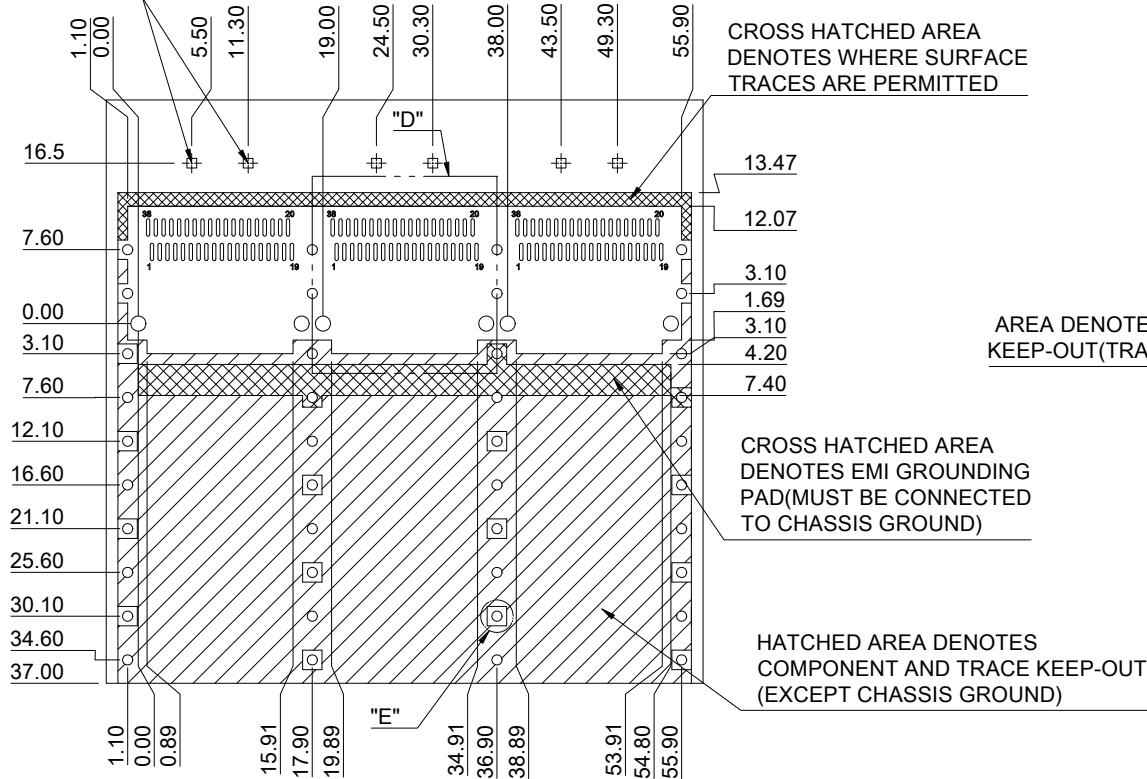


SINGLE SIDE PCB LAYOUT
TOLERANCE: ±0.05
MINIMUM PCB THICKNESS OF 1.6 MM

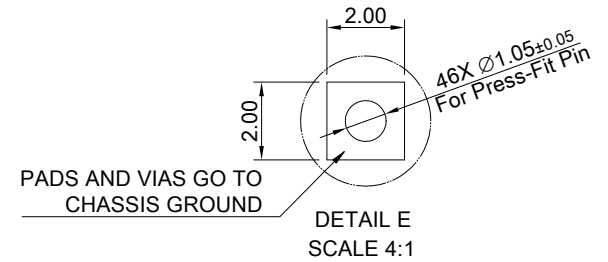
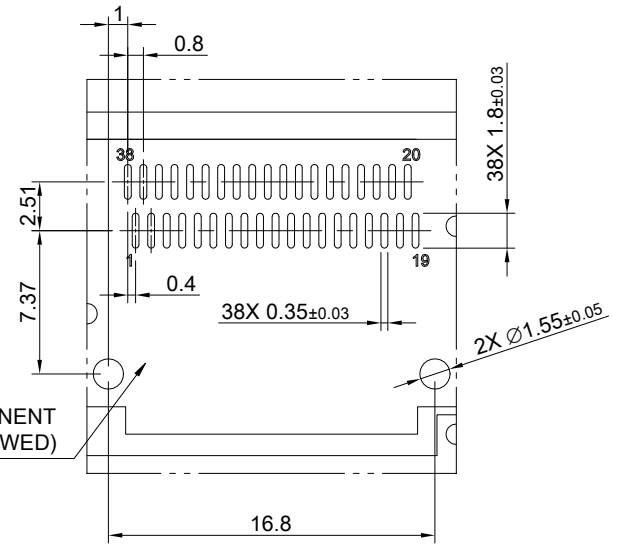
THIS PRINT IS
PRELIMINARY
UNQUALIFIED PRODUCT
CONTACT PRODUCT ENGINEERING
BEFORE USING THIS PRINT

<p>ALL BEST ALL BEST ELECTRONICS CO., LTD.</p>	TITLE: QSFP56 1X3 Cage Assembly w/ Light Pipe & Heat Sink (SAN)		SHEET: 3/4		REV. REF
	DWG#: R-OR-DZQ3-4CGE4-MK		CHECKED:		APPROVED:
UNIT: mm	SCALE: A4 5:4	FINISH:	MATERIAL: RoHS Compliant		DATE: 3/14/2024
TOLERANCE: X±0.15 .X±0.10 .XX±0.05		THIRD ANGLE PROJECTION	DRAWN: Pohsiung		

DUAL LIGHT PIPE LED LAYOUT



AREA DENOTES COMPONENT KEEP-OUT (TRACES ALLOWED)



SINGLE SIDE PCB LAYOUT
TOLERANCE: ± 0.05
MINIMUM PCB THICKNESS OF 4.5 MM

THIS PRINT IS
PRELIMINARY
UNQUALIFIED PRODUCT
CONTACT PRODUCT ENGINEERING
BEFORE USING THIS PRINT



TITLE: QSFP56 1X3 Cage Assembly w/ Light Pipe & Heat Sink (SAN)			
DWG#: R-OR-DZQ3-4CGE4-MK		SHEET: 4/4	REV. REF
UNIT: mm	SCALE: A4 5:4	FINISH:	CHECKED:
TOLERANCE: Angle: $\pm 1^\circ$ X: ± 0.15 .X: ± 0.10 .XX: ± 0.05		MATERIAL: RoHS Compliant	APPROVED:
THIRD ANGLE PROJECTION		DRAWN: Pohsiung	DATE: 3/14/2024