

A B C D E F G H

1

2

3

4

5

6

7

8

1

2

3

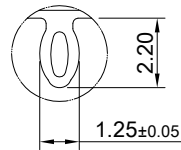
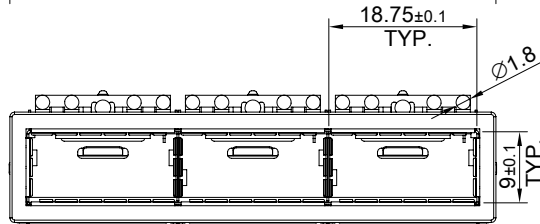
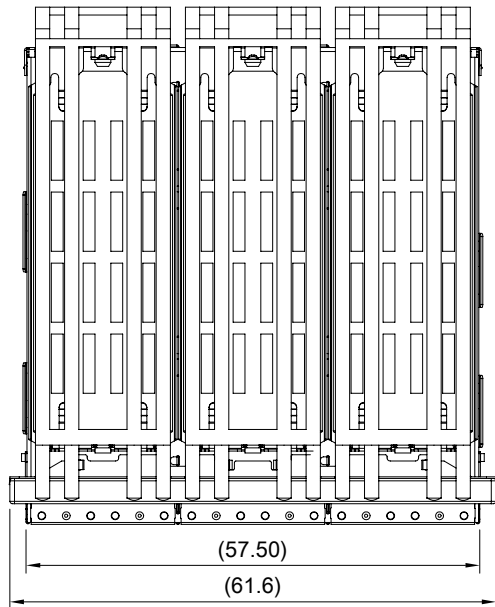
4

5

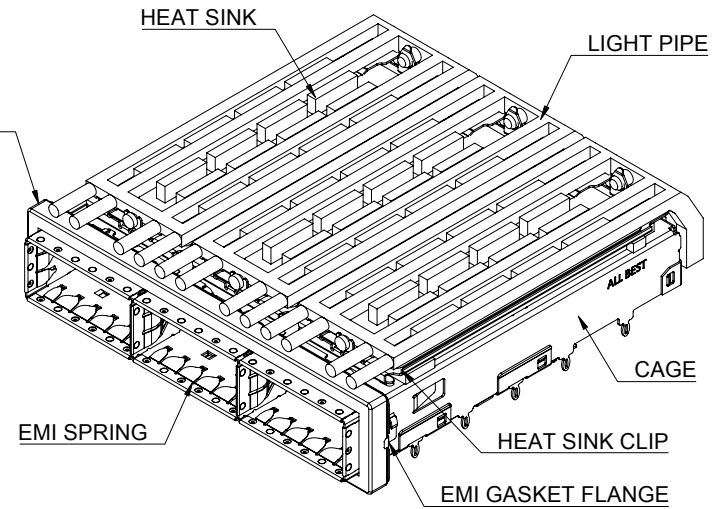
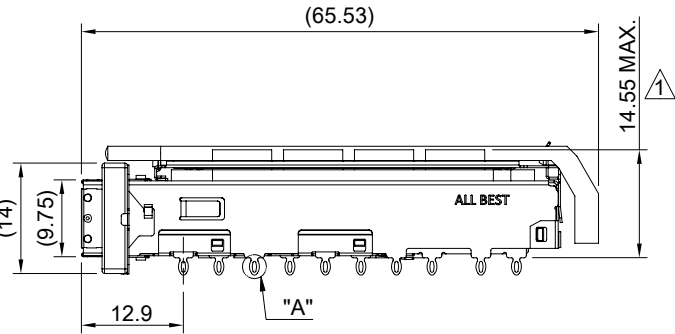
6

7

8



DETAIL A  
SCALE 4:1





MATERIAL  
 CAGE: NICKEL SILVER  
 EMI SPRING: STAINLESS STEEL  
 EMI GASKET FLANGE: STAINLESS STEEL  
 EMI GASKET: CONDUCTIVE ELASTOMER  
 HEAT SINK: ALUMINUM  
 HEAT SINK CLIP: STAINLESS STEEL  
 LIGHT PIPE: PC

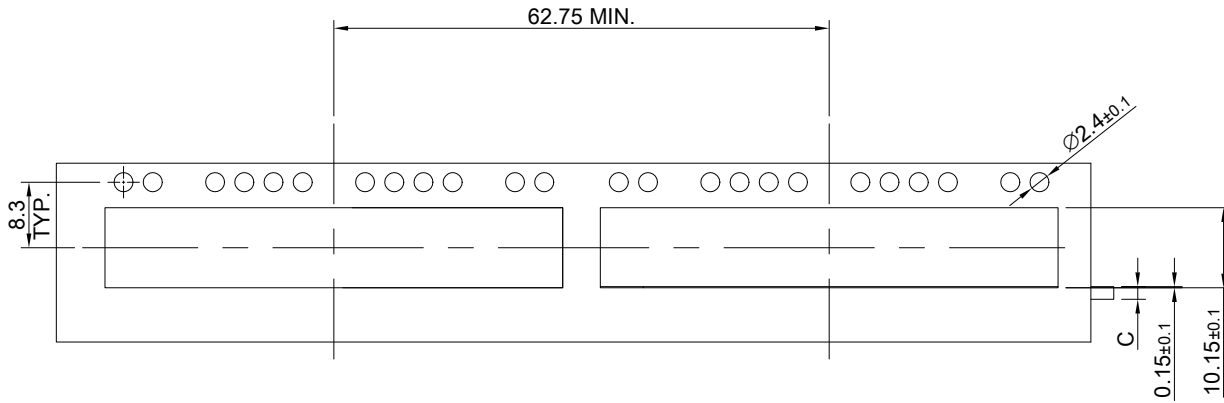
FINISH  
 HEAT SINK: ANODE PROCESS

NOTE  
 ⚠ DIMENSION APPLIES WITH MODULE INSERTED IN CAGE

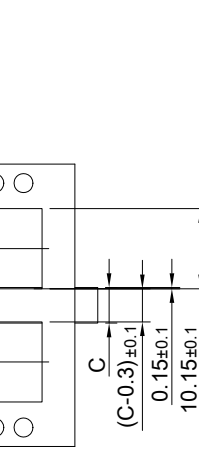
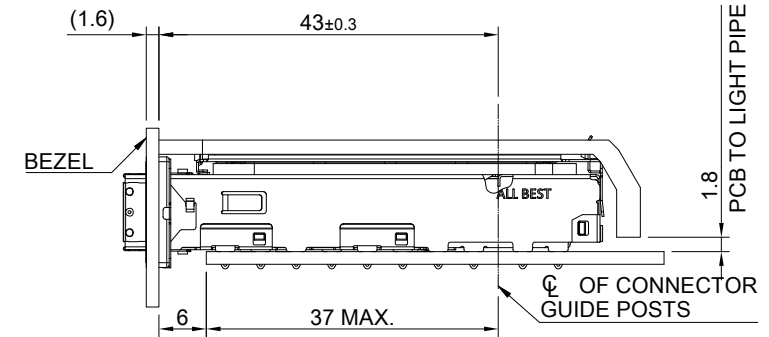
THIS PRINT IS  
**PRELIMINARY**  
 UNQUALIFIED PRODUCT  
 CONTACT PRODUCT ENGINEERING  
 BEFORE USING THIS PRINT

 <b>ALL BEST</b> ELECTRONICS CO., LTD.	TITLE: QSFP56 1X3 Cage Assembly w/ Light Pipe & Heat Sink (PCI)		SHEET: 1/4	REV. REF
	DWG#: R-OR-DZQ3-4CGEG-MK		CHECKED:	
UNIT: mm	SCALE: A4 1:1	FINISH:	APPROVED:	
 THIRD ANGLE PROJECTION		MATERIAL: RoHS Compliant	DATE: 3/14/2024	
TOLERANCE: Angle: ± 1° X ± 0.25 .X ± 0.20 .XX ± 0.15		DRAWN: Pohsiung		

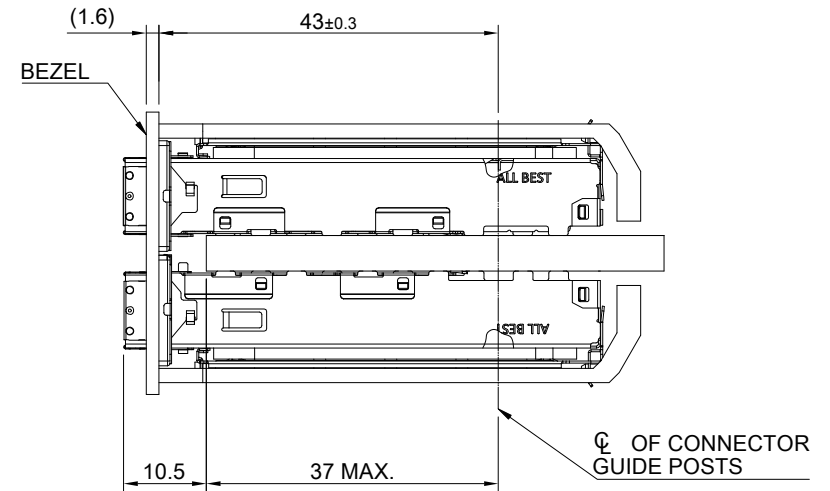
A B C D E F G H



SINGLE-SIDE CONFIGURATION



BELLY TO BELLY CONFIGURATION



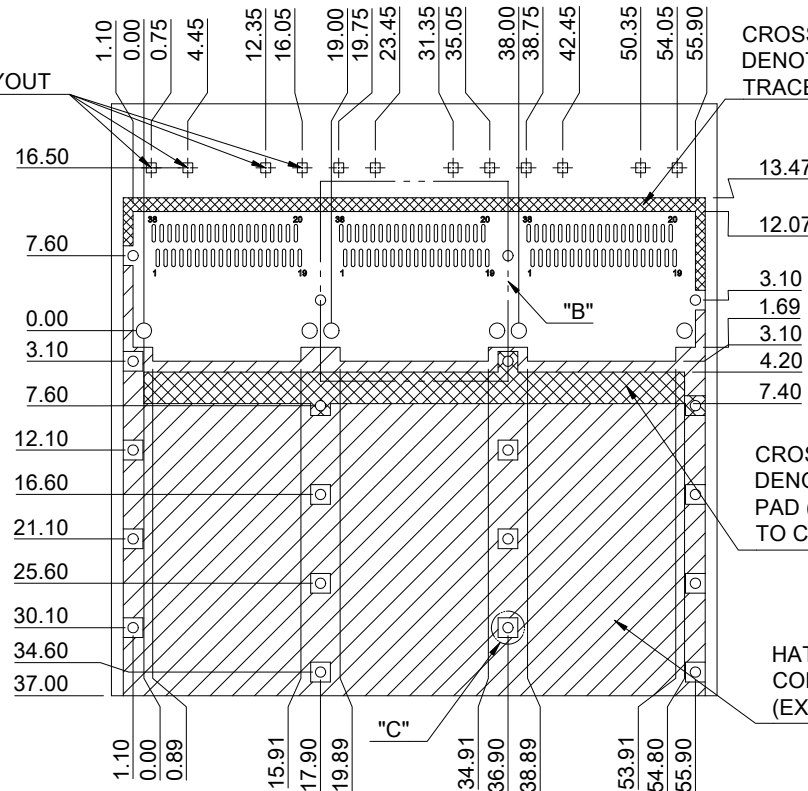
C = THICKNESS OF PC BOARD  
 SINGLE-SIDE = 1.6MM (MIN.)  
 BELLY TO BELLY = 4.5MM (MIN.)

THIS PRINT IS  
**PRELIMINARY**  
 UNQUALIFIED PRODUCT  
 CONTACT PRODUCT ENGINEERING  
 BEFORE USING THIS PRINT



TITLE: QSFP56 1X3 Cage Assembly w/ Light Pipe & Heat Sink (PCI)				
DWG#: R-OR-DZQ3-4CGEG-MK			SHEET: 2/4	REV. REF
UNIT: mm	SCALE: A4 1:1	FINISH:	CHECKED:	
TOLERANCE: Angle: ± 1° X ± 0.15 .X ± 0.10 .XX ± 0.05		MATERIAL: RoHS Compliant	APPROVED:	
DRAWN: Pohsiung			DATE: 3/14/2024	

QUAD LIGHT PIPE LED LAYOUT

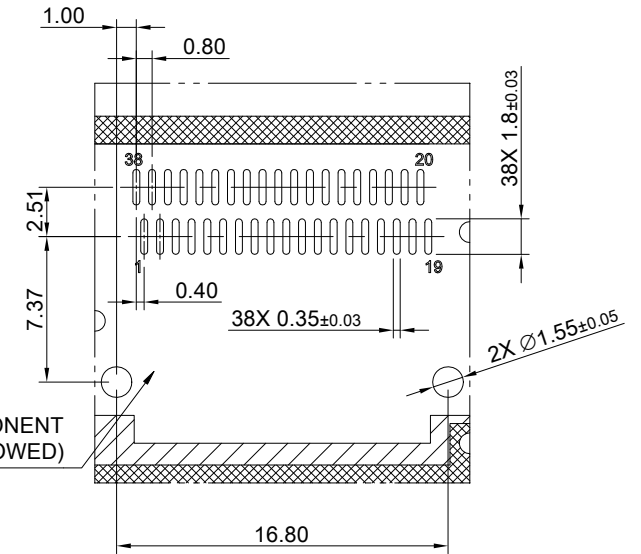


CROSS HATCHED AREA DENOTES WHERE SURFACE TRACES ARE PERMITTED

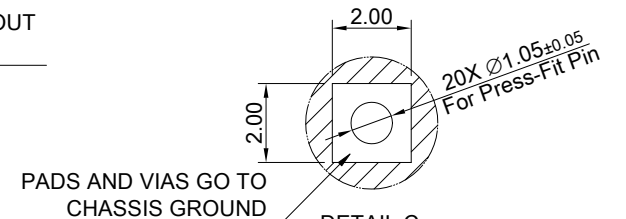
AREA DENOTES COMPONENT KEEP-OUT (TRACES ALLOWED)

CROSS HATCHED AREA DENOTES EMI GROUNDING PAD (MUST BE CONNECTED TO CHASSIS GROUND)

HATCHED AREA DENOTES COMPONENT AND TRACE KEEP-OUT (EXCEPT CHASSIS GROUND)



DETAIL B  
SCALE 2:1



PADS AND VIAS GO TO CHASSIS GROUND

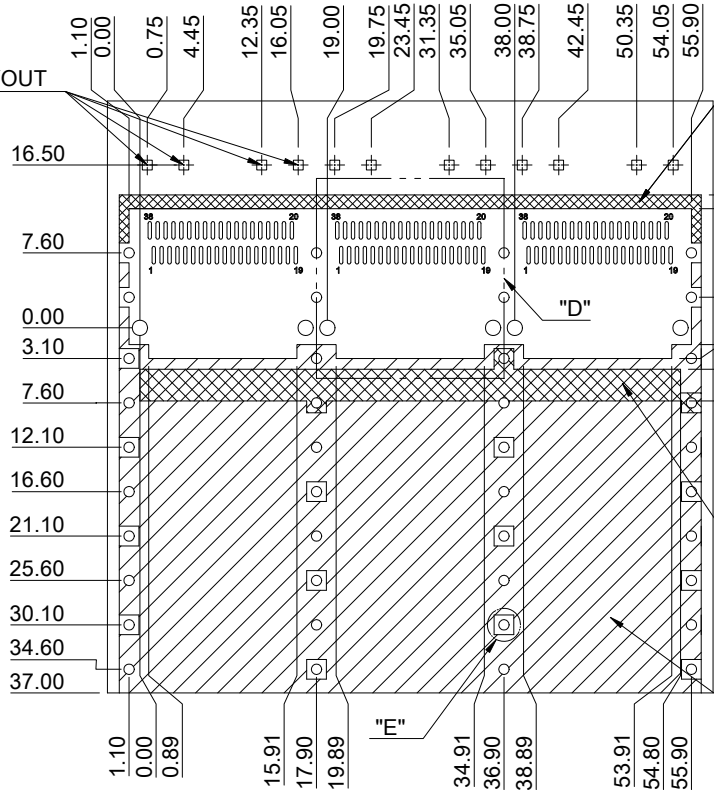
DETAIL C  
SCALE 4:1

PCB LAYOUT FOR SINGLE-SIDE CONFIGURATION  
TOLERANCE: ±0.05  
MINIMUM PCB THICKNESS OF 1.6 MM

THIS PRINT IS  
**PRELIMINARY**  
UNQUALIFIED PRODUCT  
CONTACT PRODUCT ENGINEERING  
BEFORE USING THIS PRINT

		TITLE: QSFP56 1X3 Cage Assembly w/ Light Pipe & Heat Sink (PCI)	
		DWG#: R-OR-DZQ3-4CGEG-MK	
UNIT: mm	SCALE: A4 5:4	FINISH:	SHEET: 3/4
TOLERANCE: Angle: ± 1° X.± 0.15 .X± 0.10 .XX± 0.05		MATERIAL: RoHS Compliant	REV. REF
THIRD ANGLE PROJECTION		DRAWN: Pohsiung	CHECKED:
		APPROVED:	DATE: 3/14/2024

QUAD LIGHT PIPE LED LAYOUT

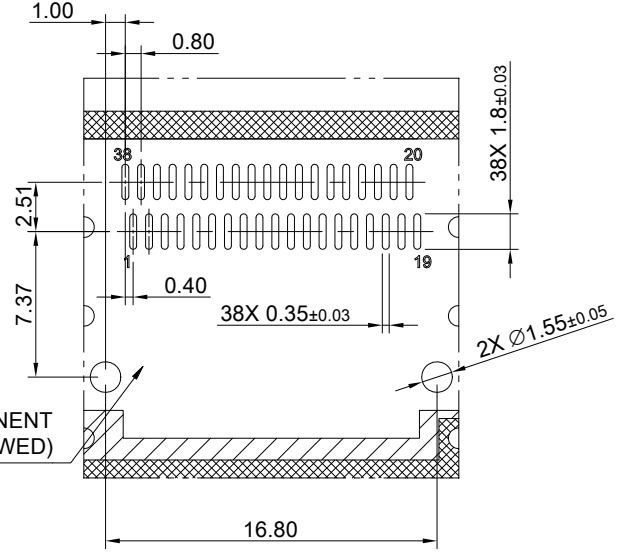


CROSS HATCHED AREA DENOTES WHERE SURFACE TRACES ARE PERMITTED

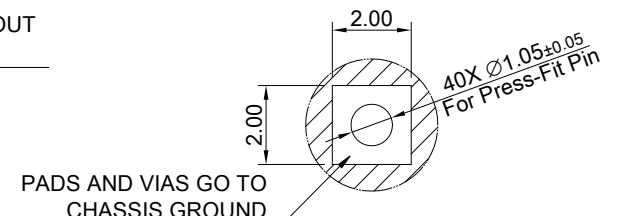
AREA DENOTES COMPONENT KEEP-OUT (TRACES ALLOWED)

CROSS HATCHED AREA DENOTES EMI GROUNDING PAD (MUST BE CONNECTED TO CHASSIS GROUND)

HATCHED AREA DENOTES COMPONENT AND TRACE KEEP-OUT (EXCEPT CHASSIS GROUND)



DETAIL D SCALE 2:1



DETAIL E SCALE 4:1

PCB LAYOUT FOR BELLY TO BELLY CONFIGURATION  
TOLERANCE: ±0.05  
MINIMUM PCB THICKNESS OF 4.5 MM

THIS PRINT IS  
**PRELIMINARY**  
UNQUALIFIED PRODUCT  
CONTACT PRODUCT ENGINEERING  
BEFORE USING THIS PRINT

		TITLE: QSFP56 1X3 Cage Assembly w/ Light Pipe & Heat Sink (PCI)	
		DWG#: R-OR-DZQ3-4CGEG-MK	
UNIT: mm	SCALE: A4 5:4	FINISH:	SHEET: 4/4
TOLERANCE: Angle: ± 1° X. ± 0.15 .X ± 0.10 .XX ± 0.05		MATERIAL: RoHS Compliant	REV. REF
THIRD ANGLE PROJECTION		DRAWN: Pohsiung	CHECKED:
		DATE: 3/14/2024	APPROVED: