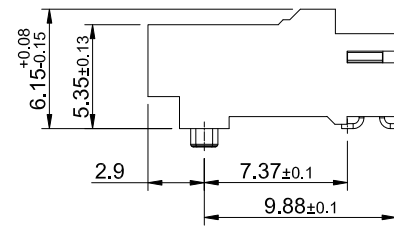
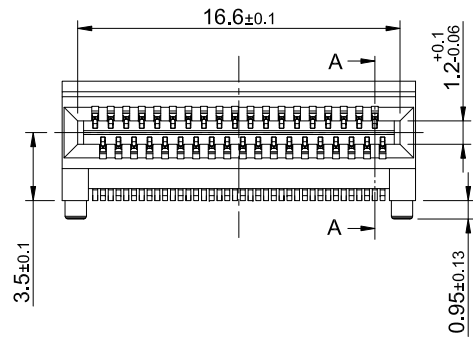


SECTION A-A

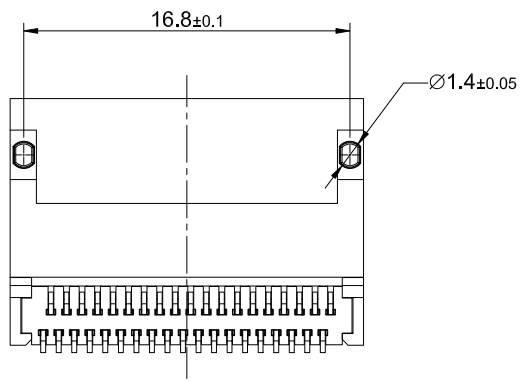


MATERIAL
 CONTACTS: COPPER ALLOY
 INSULATOR: LCP THERMOPLASTIC 94V-0
 INSULATOR COLOR: BLACK

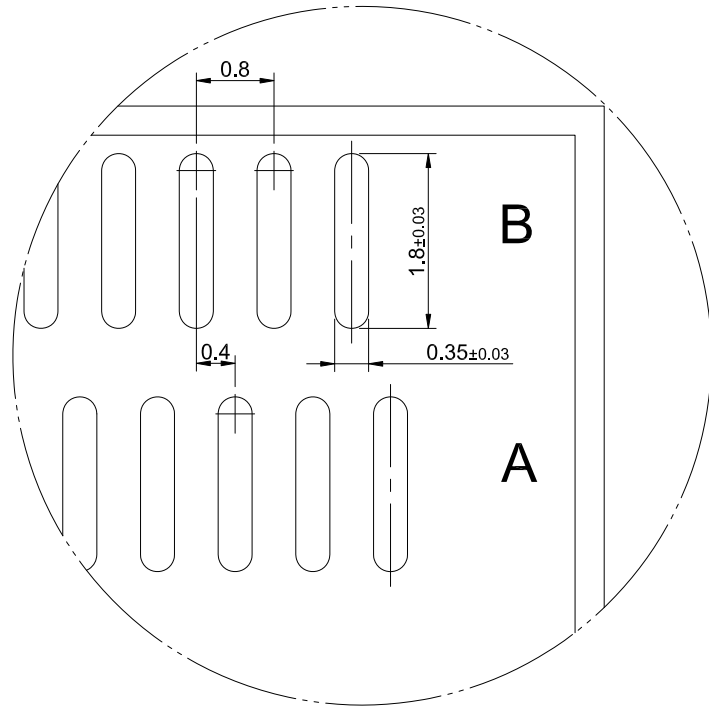
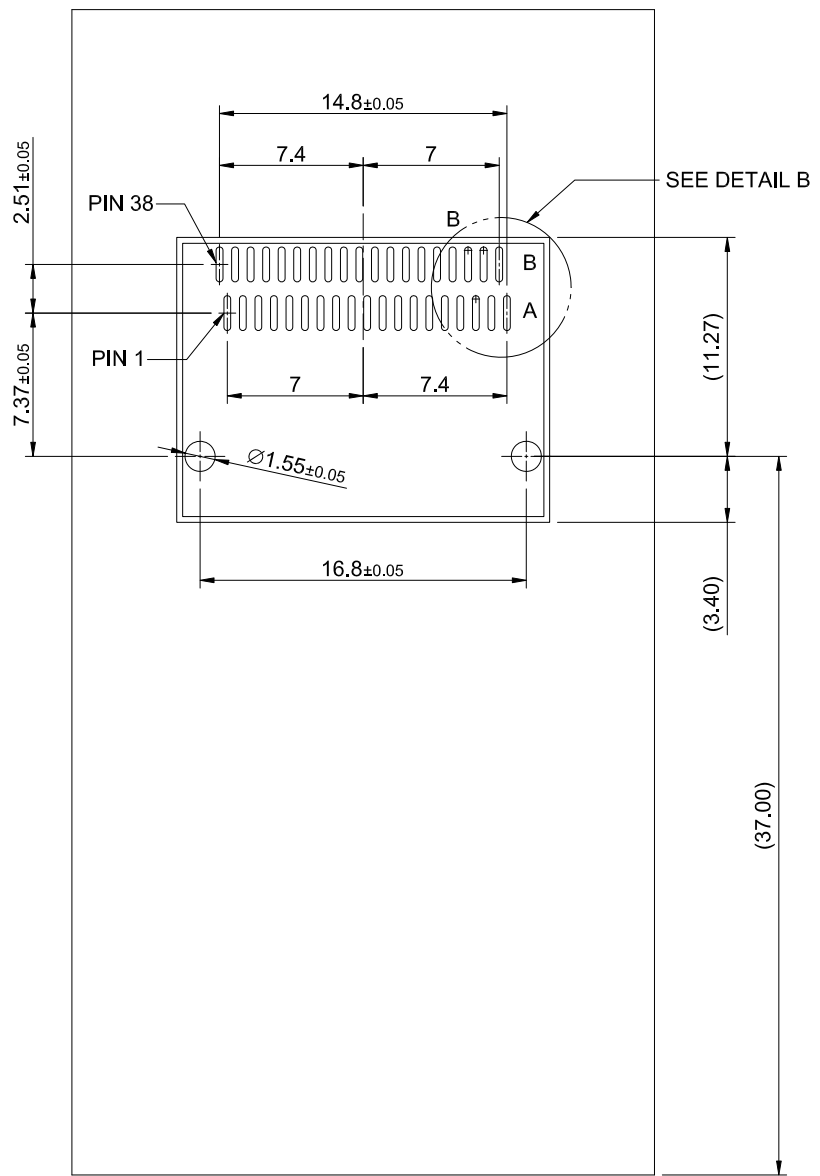
ELECTRICAL CHARACTERISTICS
 CONTACT CURRENT RATING: 0.5 AMPERE
 DIELECTRIC WITHSTANDING VOLTAGE: 300V DC
 VOLTAGE RATING: 30 VAC
 CONTACT RESISTANCE: 10 MILLOHMS MAX

FINISH
 CONTACTS: 15μ" MIN. GOLD ON MATING END;
 100μ" MIN. MATTE TIN ON SOLDER FOOT AREA
 ALL UNDERPLATED NICKEL

ENVIRONMENT
 OPERATION TEMPERATURE: -55°C TO 85°C
 SMT TEMPERATURE: 260°C



 ALL BEST ELECTRONICS CO., LTD.	TITLE: QSF28 38Pin SMT Connector		SHEET: 1/2	REV. C
	DWG#: R-CT-ZQ1-9CX1		CHECKED: Gary Yang	
	UNIT: mm	SCALE: A4 5:2	FINISH:	APPROVED: George Yang
	 THIRD ANGLE PROJECTION TOLERANCE: Angle: ± 1° X, ± 0.25 .X ± 0.20 .XX ± 0.15		MATERIAL: RoHS Compliant	DATE: 11/24/2016
		DRAWN: Sheng		



RECOMMENDED PCB LAYOUT
TOLERANCE: ±0.05

DETAIL B
SCALE 5:1



TITLE: QSF28 38Pin SMT Connector			
DWG#: R-CT-ZQ1-9CX1		SHEET: 2/2	REV. C
UNIT: mm	SCALE: A4 5:2	FINISH:	CHECKED: Gary Kang
THIRD ANGLE PROJECTION	MATERIAL: RoHS Compliant	APPROVED: George Yang	
TOLERANCE: Angle: ± 1° X. ± 0.15 .X ± 0.10 .XX ± 0.05		DRAWN: Sheng	DATE: 11/24/2016