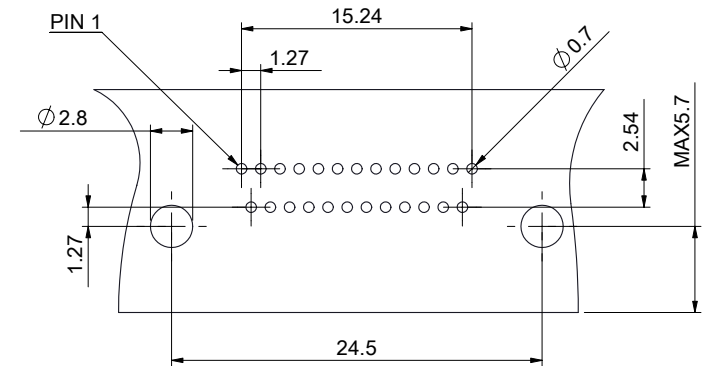
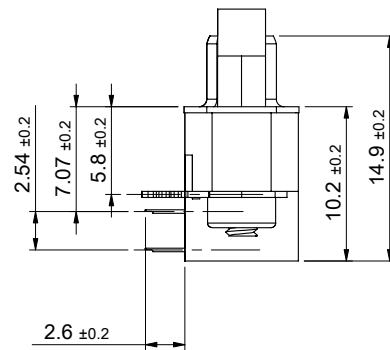
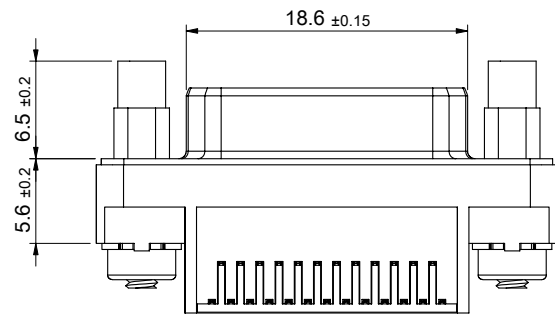


ELECTRICAL CHARACTERISTICS
 CONTACT CURRENT RATING: 1 AMPERE
 DIELECTRIC WITHSTANDING VOLTAGE: 500 VAC
 INSULATION RESISTANCE: 1000 MEGOHMS MIN.
 CONTACT RESISTANCE: 45 MILLIOHMS MAX.

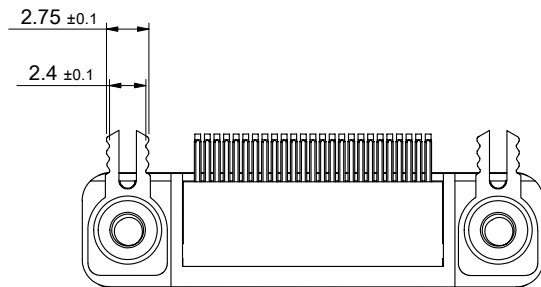
MATERIALS
 CONTACTS: COPPER ALLOY
 INSULATOR: THERMOPLASTIC 94V-0
 SHELL: COLD ROLLER STEEL

FINISHES
 CONTACT: 15 μ" MIN. GOLD ON MATING END;
 TIN ON TERMINATION END;
 ALL UNDERPLATED NICKEL
 SHELL: BRIGHT TIN OVER COPPER

ENVIRONMENT
 OPERATION TEMPERATURE: -55°C TO +85°C



RECOMMENDED P.C. BOARD LAYOUT
 (25 POSITION ONLY) TOLERANCE: ±0.05
 X. ±0.15 .X ±0.1 .XX ±0.05



 ALL BEST ELECTRONICS CO., LTD.	TITLE : Micro-D Miniature 25P Right Angle		SHEET: 1 / 1	REV. E	
	DWG# : R-HI-012025-2L-P-S		CHECKED: Gary Yang		
	UNIT : mm	SCALE : 2:1	FINISH :	APPROVED: George Yang	
	TOLERANCE : Angle: ±1° X. ±0.25 .X ±0.20 .XX ±0.15		MATERIAL : RoHS Compliant	DRAWN: Sheng	DATE: 01/19/2012