

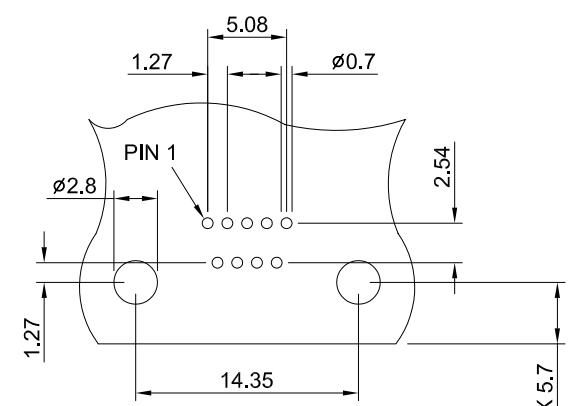
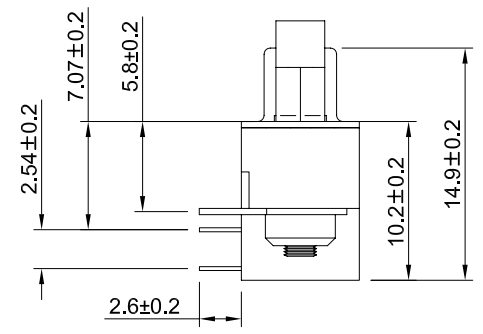
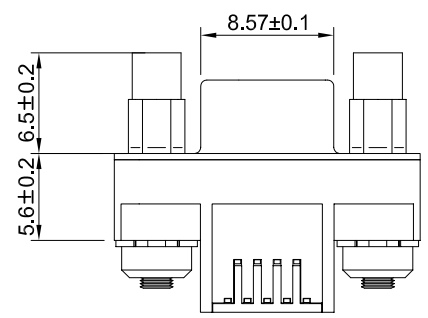
**ELECTRICAL CHARACTERISTICS**  
 CONTACT CURRENT RATING: 1 AMPERE  
 DIELECTRIC WITHSTANDING VOLTAGE: 500 VAC  
 INSULATION RESISTANCE: 1000 MEGOHMS MIN.  
 CONTACT RESISTANCE: 45 MILLIOHMS MAX.

**MATERIALS**  
 CONTACTS: COPPER ALLOY  
 INSULATOR: THERMOPLASTIC 94V-0  
 SHELL: COLD ROLLER STEEL

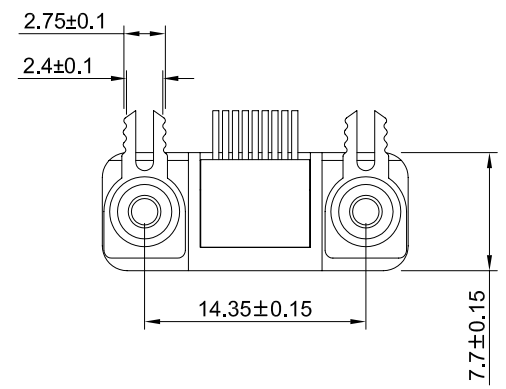
**FINISHES**  
 CONTACT: 15 μ" MIN. GOLD ON MATING END;  
 TIN ON TERMINATION END;  
 ALL UNDERPLATED NICKEL

SHELL: BRIGHT TIN OVER COPPER

**ENVIRONMENT**  
 OPERATION TEMPERATURE: -55°C TO + 85°C



**RECOMMENDED PC BOARD LAYOUT**  
 ( 9 POSITION ONLY ) TOLERANCE: ±0.05



TITLE: Micro Miniature Connectors-Right Angle Type			
DWG#: R-HI-012009-2L-P-S		SHEET: 1 / 1	REV. D
UNIT: mm	FINISH:	CHECKED: <i>Haven Yang</i>	
SCALE: 2:1	MATERIAL: RoHS Compliant	APPROVED: <i>George Yang</i>	
TOLERANCE: X.±0.25 .X±0.2 .XX±0.15	DRAWN: Mandy	DATE: 02/13/2007	