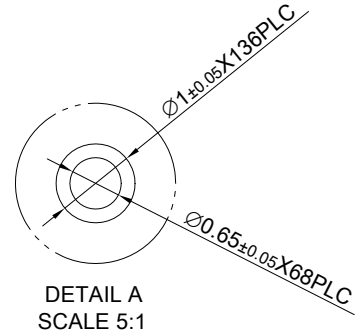
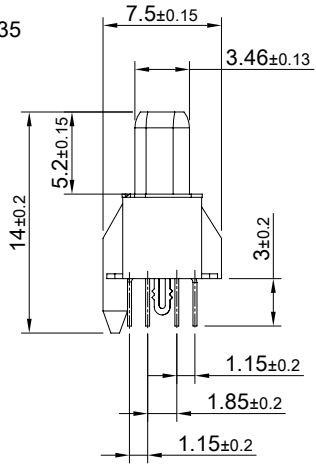
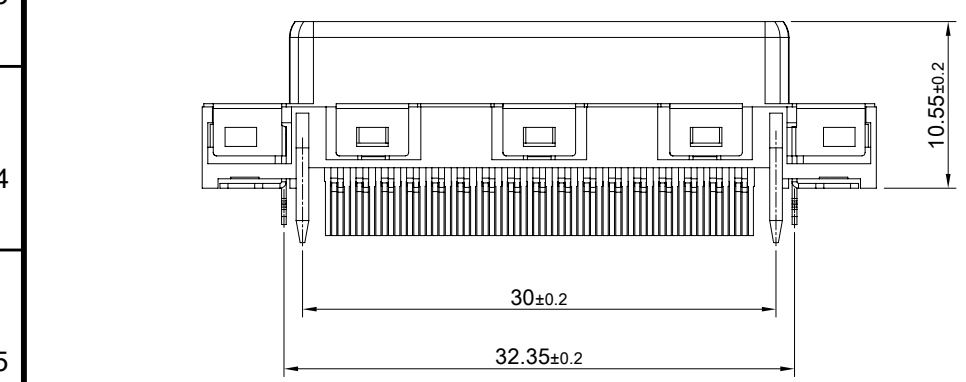


ELECTRICAL CHARACTERISTICS
 CONTACT CURRENT RATING: 0.3 AMPERE
 VOLTAGE RATING: 30 VAC (R.M.S)
 DIELECTRIC WITHSTANDING VOLTAGE: 250 VAC
 INSULATION RESISTANCE: 500 MQ MIN.
 CONTACT RESISTANCE: 60 mΩ MAX.

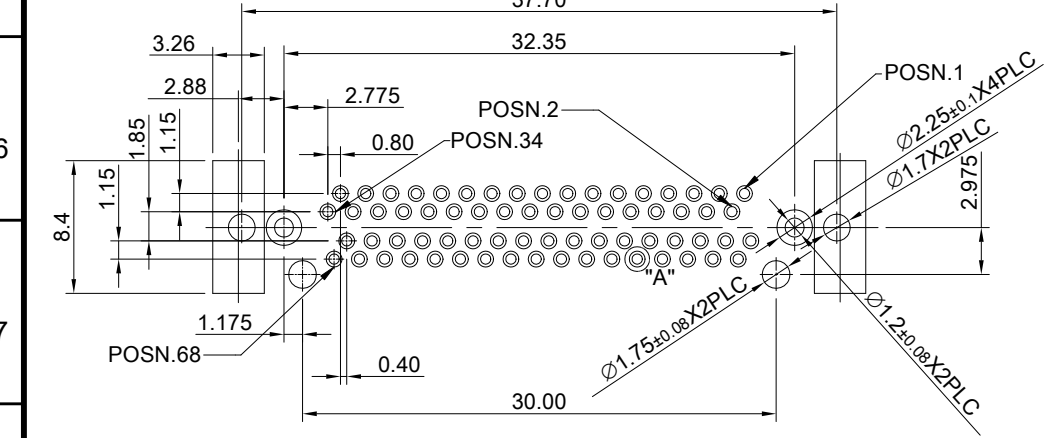
MATERIALS
 CONTACTS: COPPER ALLOY
 INSULATOR: THERMOPLASTIC 94V-0
 SHELL: COLD ROLLER STEEL

FINISHES
 CONTACT: 30 μ" MIN. GOLD ON MATING END;
 TIN ON TERMINATION END;
 ALL UNDERPLATED NICKEL
 SHELL: NICKEL OVER COPPER

ENVIRONMENT
 OPERATION TEMPERATURE: -55°C TO +85°C



REFERRAL TORQUE=2kgf-cm~2.5kgf-cm



RECOMMEND P C BOARD LAYOUT
 (REFERENTIAL LAYOUT)
 TOLERANCE: ±0.05



TITLE: VHDCI 0.8mm Vertical Receptacle Connectors			
DWG#: R-HS-008068-1B		SHEET: 1/1	REV. E
UNIT: mm	SCALE: A4 2:1	CHECKED: Gary Kang	
THIRD ANGLE PROJECTION		APPROVED: George Yang	
TOLERANCE: Angle:± 1° X.± 0.25 .X± 0.2 .XX± 0.15		MATERIAL: RoHS Compliant	DATE: 09/30/2021
		DRAWN: Yilu	