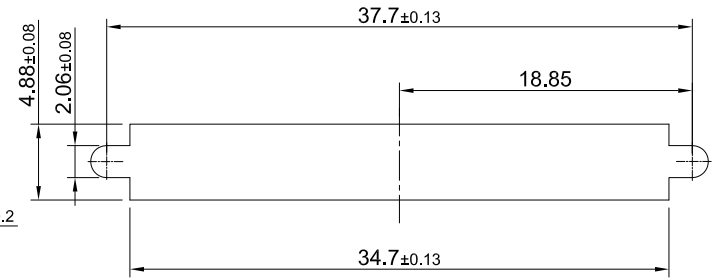
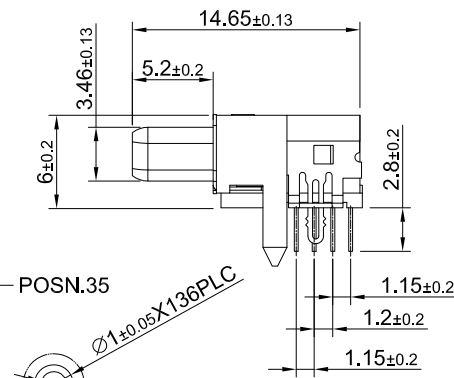
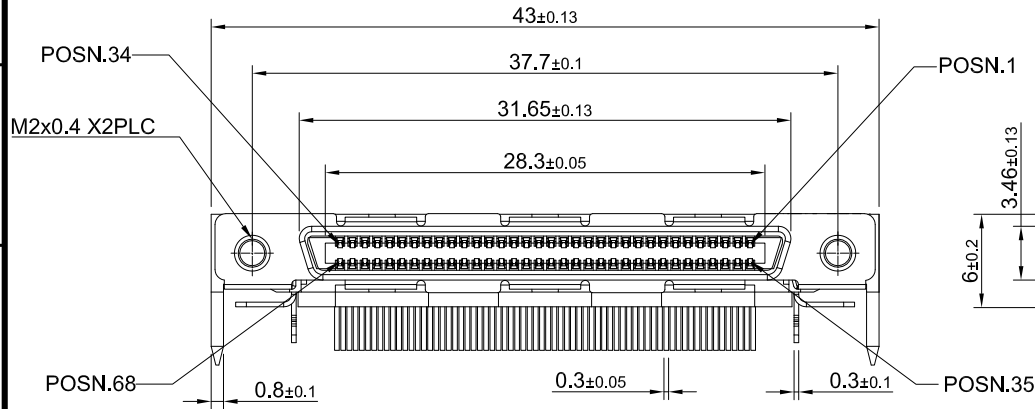


ELECTRICAL CHARACTERISTICS
 CONTACT CURRENT RATING: 0.5 AMPERE
 DIELECTRIC WITHSTANDING VOLTAGE: 250 VAC
 INSULATION RESISTANCE: 500 MEGOHMS MIN.
 CONTACT RESISTANCE: 80 MILLIOHMS MAX.

MATERIALS
 CONTACTS: COPPER ALLOY
 INSULATOR: THERMOPLASTIC 94V-0
 SHELL: COLD ROLLER STEEL

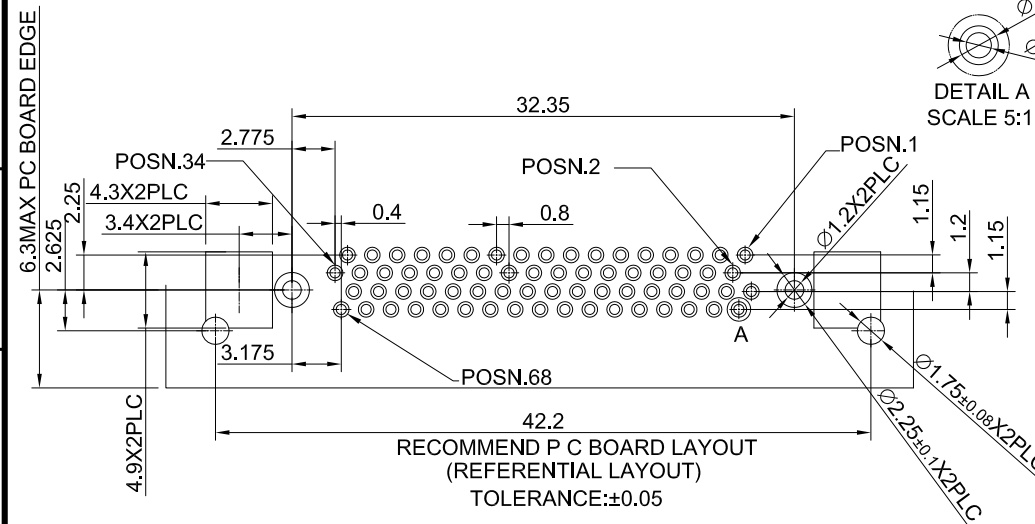
FINISHES
 CONTACT: 30 μ" MIN. GOLD ON MATING END;
 TIN ON TERMINATION END;
 ALL UNDERPLATED NICKEL
 SHELL: NICKEL OVER COPPER

ENVIRONMENT
 OPERATION TEMPERATURE: -55°C TO +85°C



PANEL CUT-OUT DIMENSIONS

REFERRAL TORQUE=2kgf-cm~2.5kgf-cm



TITLE: VHDCI 0.8mm R/A Receptacle			
DWG#: R-HS-008068-2C		SHEET: 1/1	REV. G
UNIT: mm	SCALE: A4 2:1	FINISH:	CHECKED: Gary Kang
THIRD ANGLE PROJECTION		MATERIAL: RoHS Compliant	APPROVED: George Yang
TOLERANCE: Angle: ±1° X.± 0.25 .X± 0.2 .XX± 0.15		DRAWN: Sheng	DATE: 10/15/2015