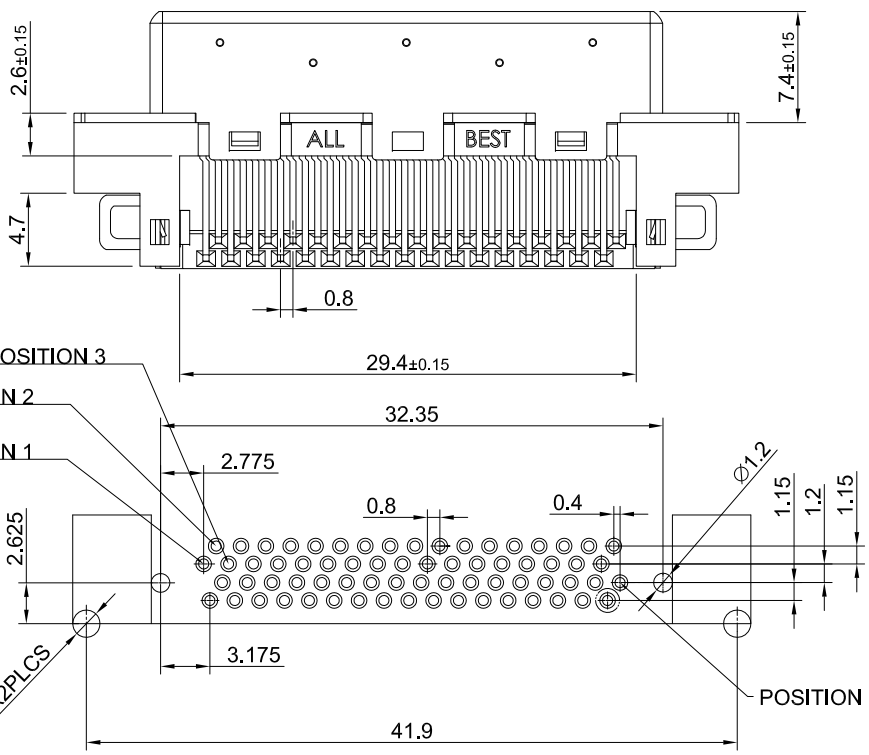


**ELECTRICAL CHARACTERISTICS**  
 CONTACT CURRENT RATING:0.5AMPERE  
 DIELECTRIC WITHSTANDING VOLTAGE:250 VAC  
 INSULATION RESISTANCE:500 MEGOHMS MIN.  
 CONTACT RESISTANCE:80 MILLIOHMS MAX.

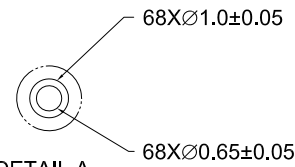
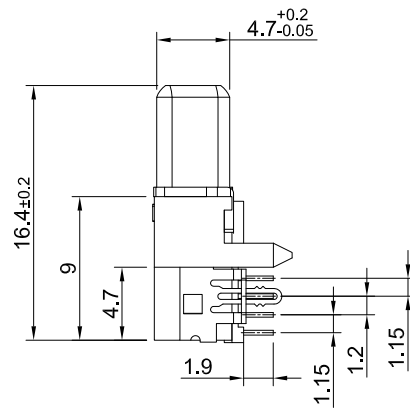
**MATERIALS**  
 CONTACTS:COPPER ALLOY  
 INSULATOR:THERMOPLASTIC 94V-0  
 SHELL:COLD ROLLER STEEL

**FINISHES**  
 CONTACT:30 μ" MIN. GOLD ON MATING END;  
 TIN ON TERMINATION END;  
 ALL UNDERPLATED NICKEL  
 SHELL:NICKEL OVER COPPER

**ENVIRONMENT**  
 OPERATION TEMPERATURE: -55°C TO +85°C



**RECOMMENDED P.C.BOARD LAYOUT**  
 (REFERENTIAL LAYOUT)  
 TOLERANCE:± 0.05



**DETAIL A**  
 SCALE 5:1



<b>TITLE:</b> VHDCI 0.8mm R/A Plug			
<b>DWG#:</b> R-HI-008068-2		<b>SHEET:</b> 1/1	<b>REV.</b> D
<b>UNIT:</b> mm	<b>SCALE:</b> A4 2:1	<b>FINISH:</b>	<b>CHECKED:</b> Gary Kang
<b>THIRD ANGLE PROJECTION</b>		<b>MATERIAL:</b> RoHS Compliant	<b>APPROVED:</b> George Yang
<b>TOLERANCE:</b> Angle:± 1° X.± 0.25 .X± 0.2 .XX± 0.15		<b>DRAWN:</b> Sheng	<b>DATE:</b> 04/15/2014