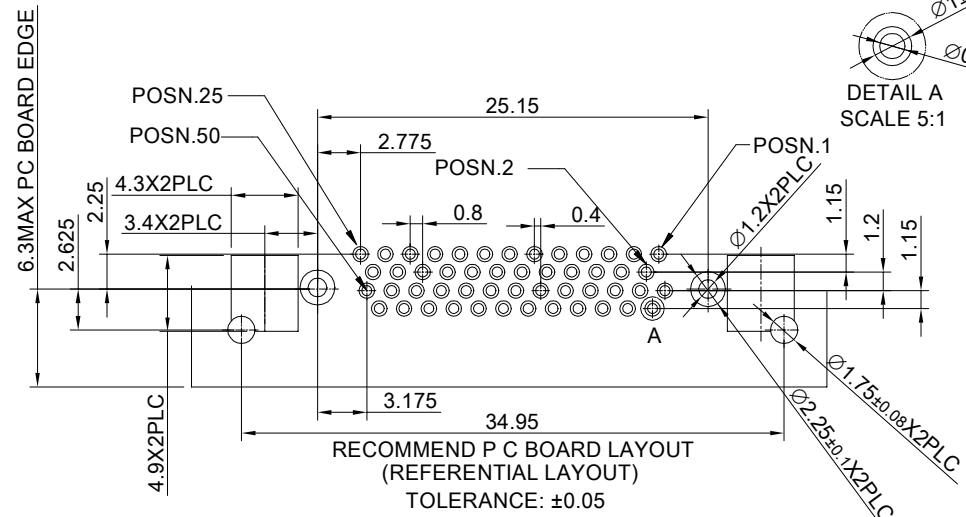
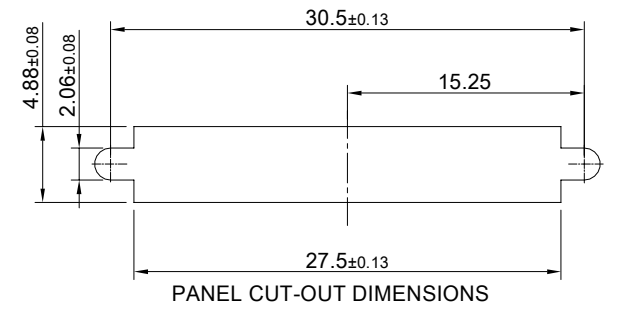
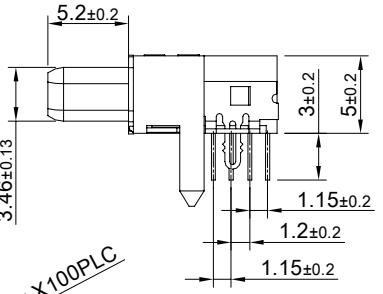
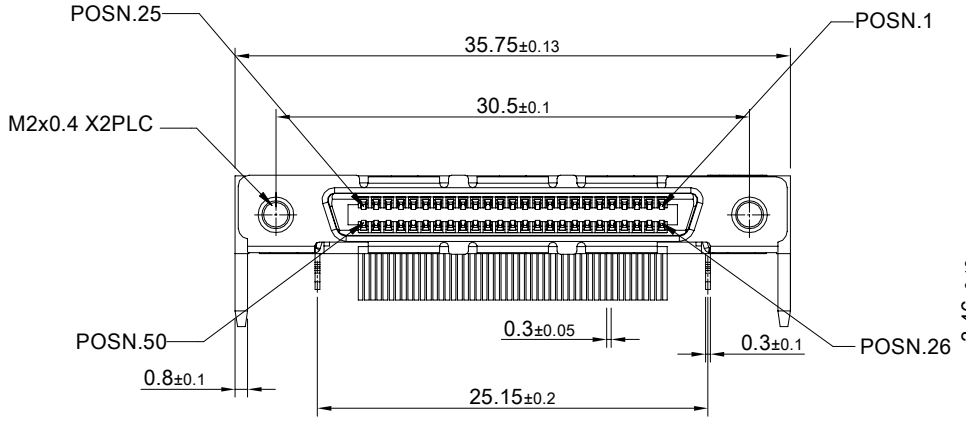


**ELECTRICAL CHARACTERISTICS**  
 CONTACT CURRENT RATING: 0.5 AMPERE  
 DIELECTRIC WITHSTANDING VOLTAGE: 250 VAC  
 INSULATION RESISTANCE: 500 MEGOHMS MIN.  
 CONTACT RESISTANCE: 80 MILLIOHMS MAX.

**MATERIALS**  
 CONTACTS: COPPER ALLOY  
 INSULATOR: THERMOPLASTIC 94V-0  
 SHELL: COLD ROLLER STEEL

**FINISHES**  
 CONTACT: 30 μ" MIN. GOLD ON MATING END;  
 TIN ON TERMINATION END;  
 ALL UNDERPLATED NICKEL  
 SHELL: NICKEL OVER COPPER

**ENVIRONMENT**  
 OPERATION TEMPERATURE: -55°C TO +85°C



TITLE: VHDCI 0.8mm R/A Receptacle			
DWG#: R-HS-008050-2		SHEET: 1/1	REV. B
UNIT: mm	SCALE: A4 2:1	FINISH:	CHECKED: Gary Kang
THIRD ANGLE PROJECTION		MATERIAL: RoHS Compliant	APPROVED: George Kang
TOLERANCE: Angle: ±1° X.±0.25 .X±0.2 .XX±0.15		DRAWN: Sheng	DATE: 01/03/2017