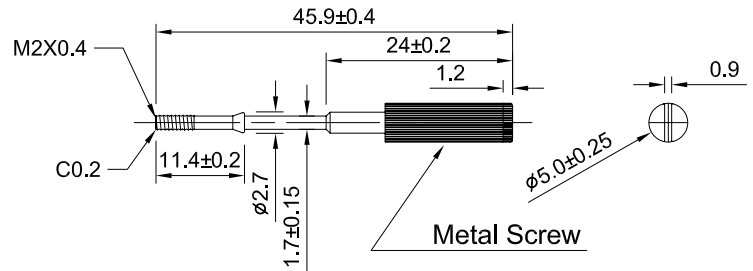
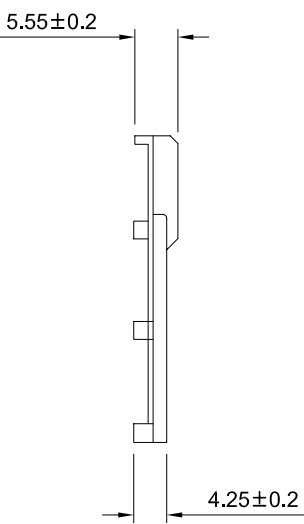
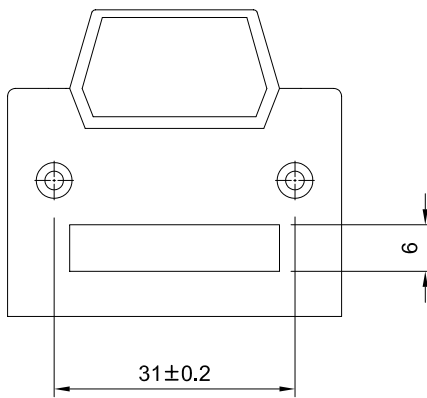



MATERIALS
BACKSHELL: ZINC ALLOY

FINISHES
BACKSHELL PLATED NICKEL OVER COPPER
SCREW PLATED NICKEL OVER COPPER



REFERRAL TORQUE = 2 kgf-cm ~ 2.5 kgf-cm

 ALL BEST ALL BEST ELECTRONICS CO., LTD.	TITLE: VHDCI 0.8mm Offset Zinc Alloy Backshell		SHEET: 1 / 1		REV. B
	DWG#: R-ZC-008068-B5		CHECKED: <i>Haven Yang</i>		APPROVED: <i>George Yang</i>
	UNIT: mm	FINISH: RoHS Compliant		DATE: 04/23/2007	
	SCALE: 1:1	DRAWN: James			
	TOLERANCE: X.±0.25 .X±0.2 .XX±0.15				