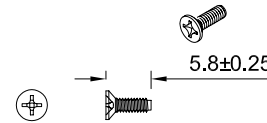
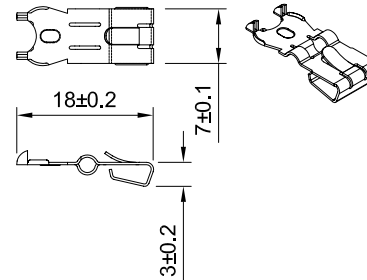
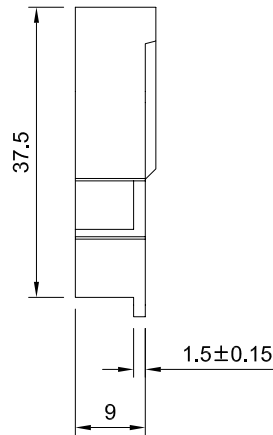
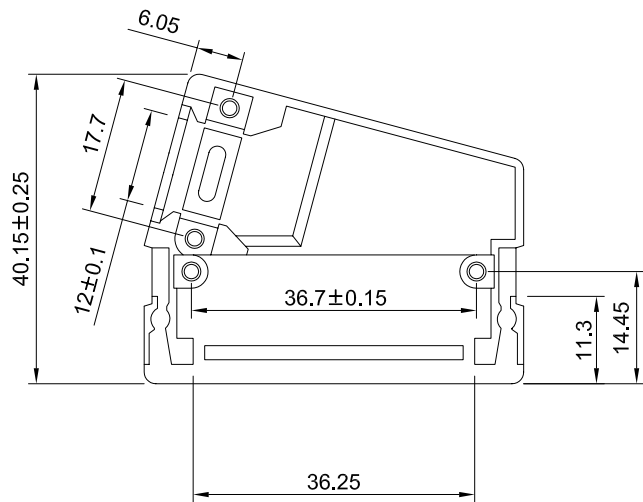


**MATERIALS**  
BACKSHELL: ZINC ALLOY

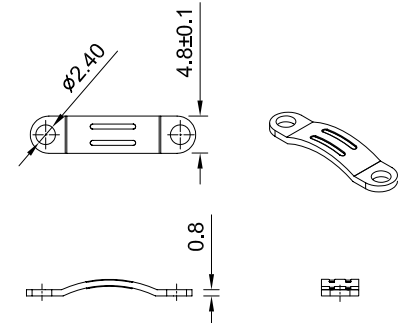
**FINISHES**  
BACKSHELL: ZINC ALLOY,  
PLATED NICKEL OVER COPPER



R-SF-013020-02



R-SN-013020-01



R-CN-013050-01

REFERRAL TORQUE = 2 kgf-cm ~ 2.5 kgf-cm

	TITLE: 75° Cable Exit 50 Positions Backshell		
	DWG#: R-ZC-013050-R	SHEET: 1 / 1	REV. B
	UNIT: mm	FINISH: RoHS Compliant	CHECKED: <i>Haven Yang</i>
	SCALE: 1:1	MATERIAL: RoHS Compliant	APPROVED: <i>George Yang</i>
TOLERANCE: X.±0.25 .X±0.2 .XX±0.15	DRAWN: Mandy	DATE: 04/26/2007	