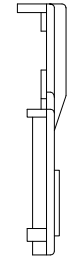
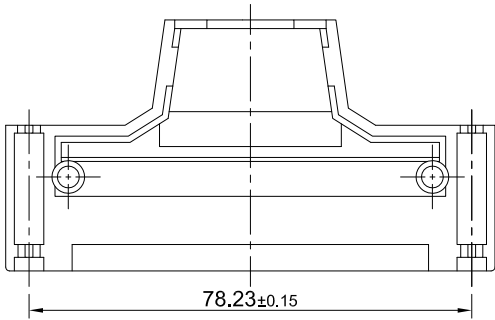
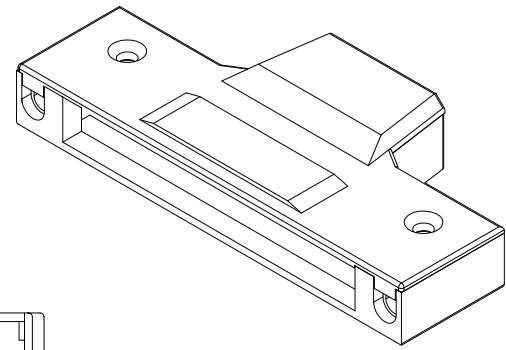
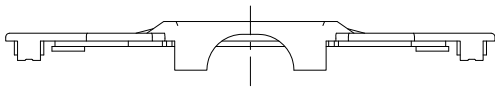
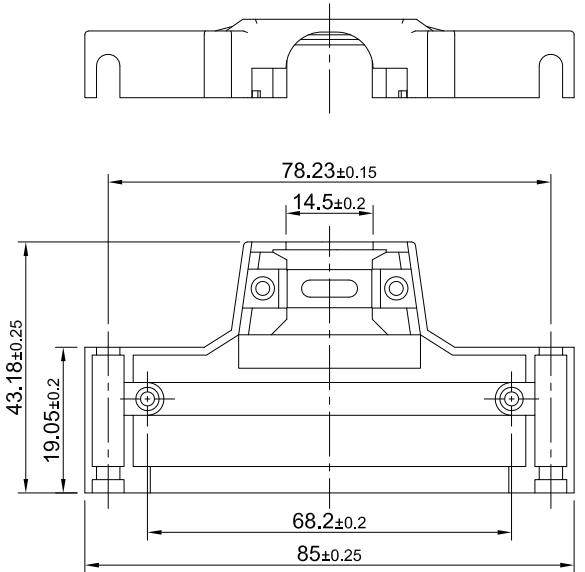


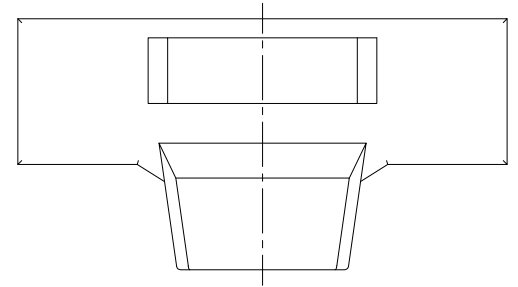
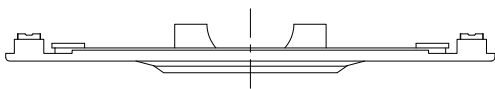
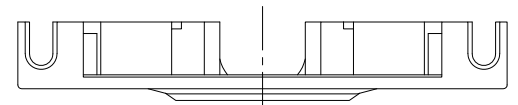
A B C D E F G H

1  
2  
3  
4  
5  
6  
7  
8

1  
2  
3  
4  
5  
6  
7  
8



MATERIALS  
BACKSHELL: ZINC ALLOY  
  
FINISHES  
BACKSHELL: PLATED NICKEL



TITLE: .050 Series Backshell			
DWG#: R-ZC-013100-S-N		SHEET: 1/1	REV. A
UNIT: mm	SCALE: A4 N/A	FINISH:	CHECKED: Gary Kang
TOLERANCE: X±0.25 .X±0.2 .XX±0.15		MATERIAL: RoHS Compliant	APPROVED: George Yang
THIRD ANGLE PROJECTION		DRAWN: Gary	DATE: 01/30/2016

A B C D E F G H