

ELECTRICAL CHARACTERISTICS

CONTACT CURRENT RATING: 0.5 AMPERE (signal)
 1 AMPERE (ground)
 DIELECTRIC WITHSTANDING VOLTAGE: 30 VAC.
 INSULATION RESISTANCE: 1000 MEGOHMS MIN.
 CONTACT RESISTANCE: 80 MILLIOHMS MAX.(signal)
 35 MILLIOHMS MAX.(ground)

MATERIALS

CONTACTS: COPPER ALLOY
 INSULATOR: THERMOPLASTIC (UL94V-0)
 BRACKET: ZINC ALLOY

FINISHES

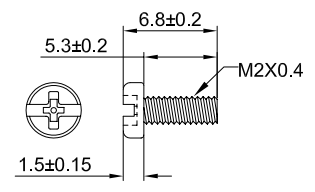
CONTACT: 30 u" MIN. GOLD ON MATING END;
 TIN ON TERMINATION END;
 ALL UNDERPLATED NICKEL

ENVIRONMENT

OPERATION TEMPERATURE: -40°C TO + 85°C
 DURABILITY: 250 MATING CYCLES MAX.
 HUMIDITY: 80%RH MAX.

NOTES

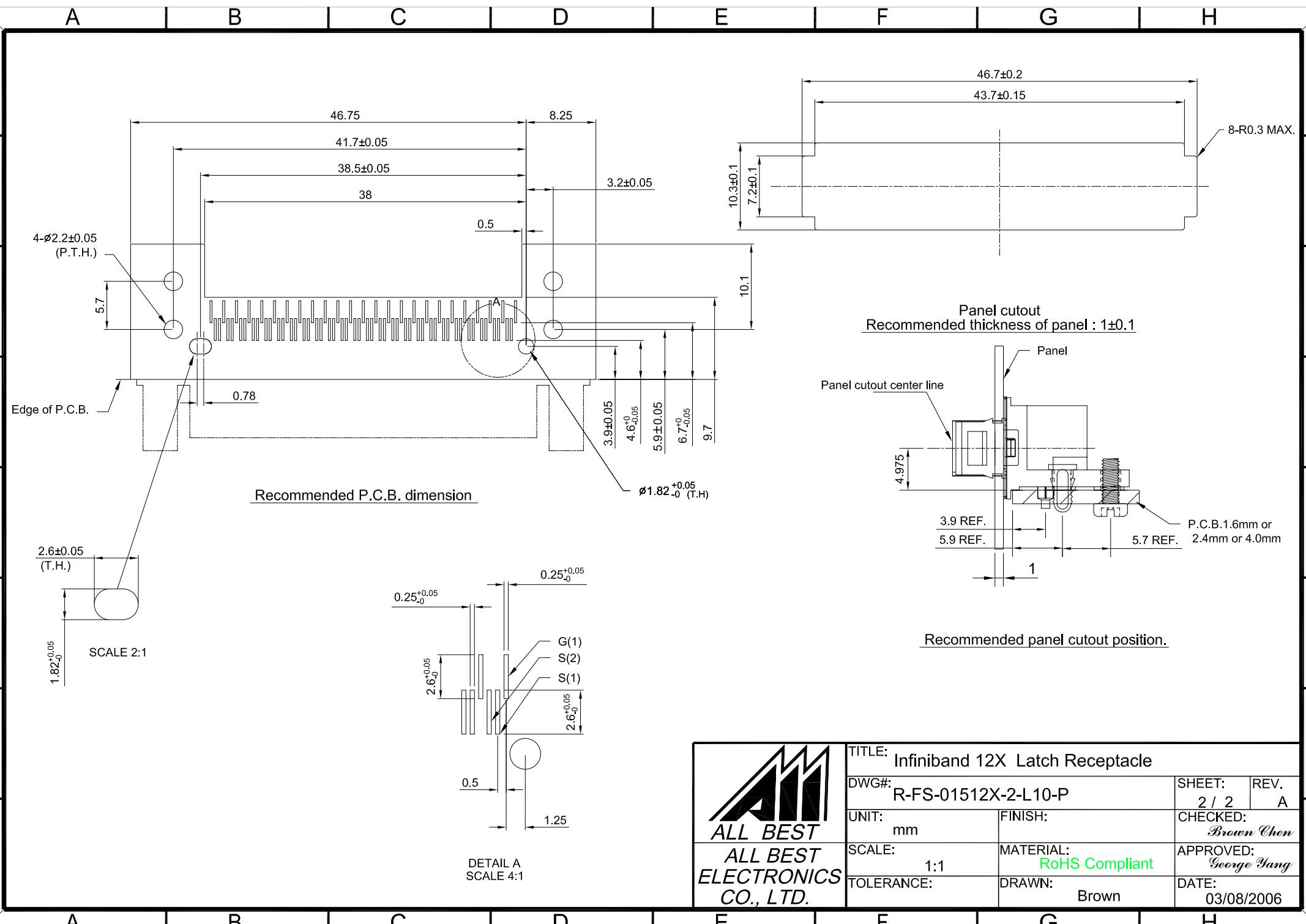
- 1.MATERIAL:STEEL,NICKEL PLATED.
- 2.SHIP WITH TWO STAND-OFFS R-SF-01504X-01 P.C.B. MOUNTING SCREWS



P/N: R-SF-01504X-01



TITLE: Infiniband 12X Latch Receptacle		
DWG#: R-FS-01512X-2-L10-P	SHEET: 1 / 2	REV. A
UNIT: mm	FINISH:	CHECKED: <i>Brown Chen</i>
SCALE: 1:1	MATERIAL: RoHS Compliant	APPROVED: <i>George Yang</i>
TOLERANCE:	DRAWN: Brown	DATE: 03/08/2006



TITLE: Infiniband 12X Latch Receptacle			
DWG#: R-FS-01512X-2-L10-P		SHEET: 2 / 2	REV. A
UNIT: mm	FINISH:	CHECKED: <i>Brown Chen</i>	
SCALE: 1:1	MATERIAL: RoHS Compliant	APPROVED: <i>George Yang</i>	
TOLERANCE:	DRAWN: Brown	DATE: 03/08/2006	