

**ELECTRICAL CHARACTERISTICS**

CONTACT CURRENT RATING: 0.5 AMPERE (signal)  
 1 AMPERE (ground)

DIELECTRIC WITHSTANDING VOLTAGE: 30 VAC.  
 INSULATION RESISTANCE: 1000 MEGOHMS MIN.  
 CONTACT RESISTANCE: 80 MILLIOHMS MAX.(signal)  
 35 MILLIOHMS MAX.(ground)

**MATERIALS**

CONTACTS: COPPER ALLOY  
 INSULATOR: THERMOPLASTIC (UL94V-0)  
 BRACKET: ZINC ALLOY

**FINISHES**

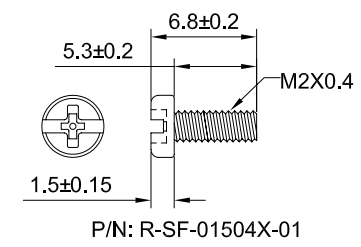
CONTACT: 30 u" MIN. GOLD ON MATING END;  
 TIN ON TERMINATION END;  
 ALL UNDERPLATED NICKEL

**ENVIRONMENT**

OPERATION TEMPERATURE: -40°C TO + 85°C  
 DURABILITY: 250 MATING CYCLES MAX.  
 HUMIDITY: 80%RH MAX.

**NOTES**

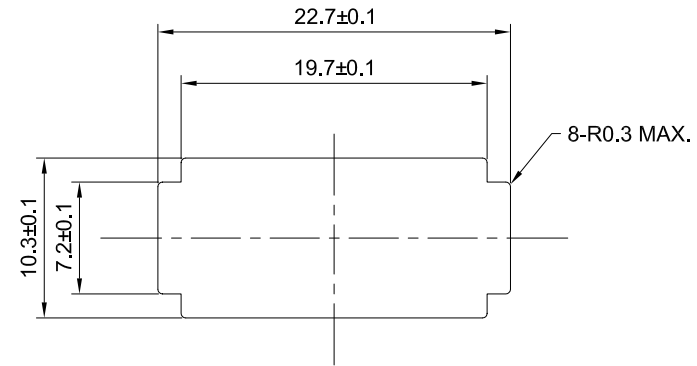
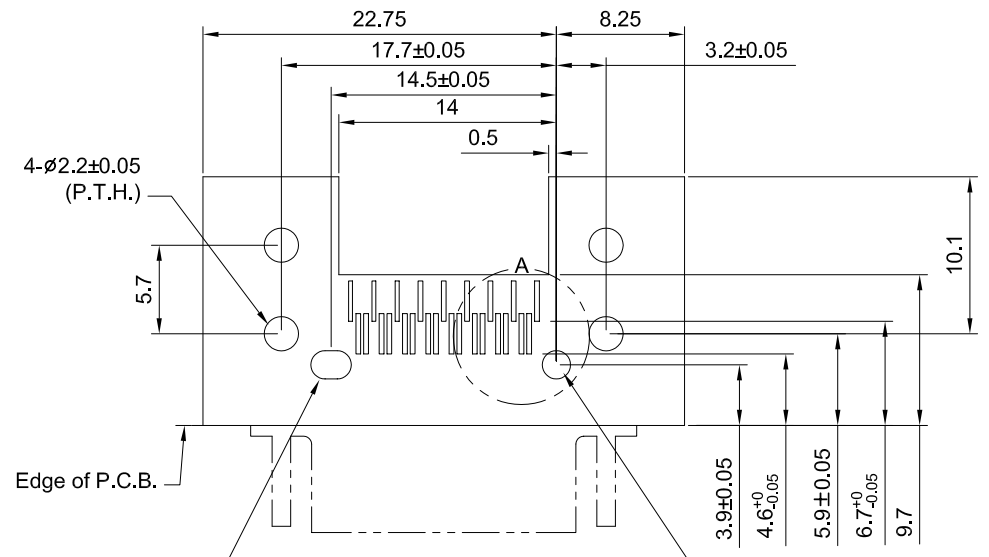
- 1. MATERIAL: STEEL, NICKEL PLATED.
- 2. SHIP WITH TWO P.C.B. MOUNTING SCREWS R-SF-01504X-01



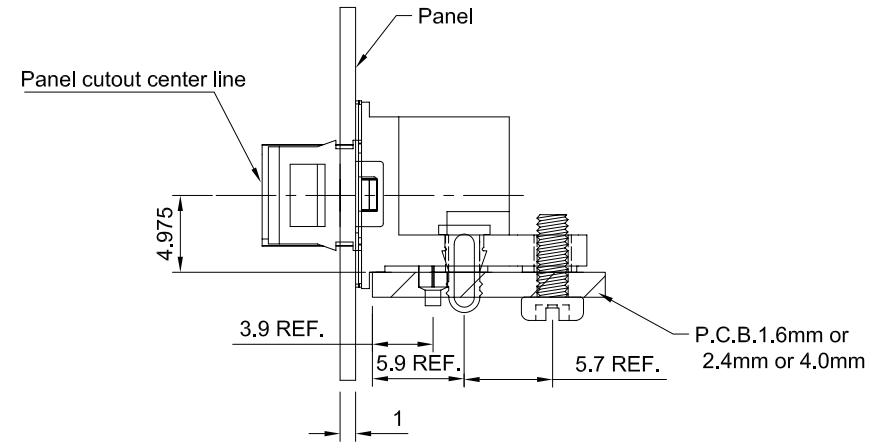
TITLE: Infiniband 4X Latch Receptacle			
DWG#: R-FS-01504X-2-L10-P		SHEET: 1 / 2	REV. B
UNIT: mm	FINISH:	CHECKED: <i>Brown Chen</i>	
SCALE: 2:1	MATERIAL: <b>RoHS Compliant</b>	APPROVED: <i>George Yang</i>	
TOLERANCE:	DRAWN: Brown	DATE: 09/16/2005	

A B C D E F G H

1  
2  
3  
4  
5  
6  
7  
8



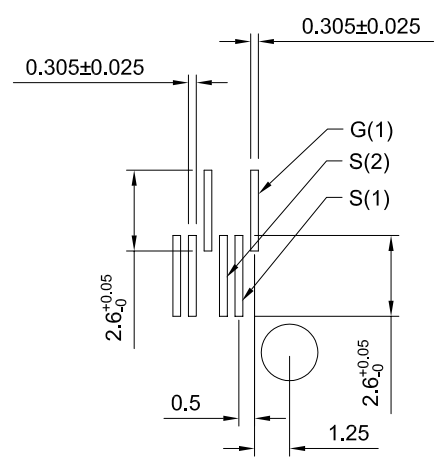
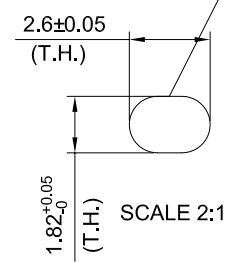
Panel cutout  
Recommended thickness of panel : 1±0.1



Recommended panel cutout position.

Recommended P.C.B. dimension

∅1.82<sup>+0.05</sup><sub>-0</sub> (T.H.)



DETAIL A  
SCALE 4:1

	TITLE: Infiniband 4X Latch Receptacle		
	DWG#: R-FS-01504X-2-L10-P		SHEET: 2 / 2
	UNIT: mm	FINISH:	REV. B
	SCALE: 2:1	MATERIAL: RoHS Compliant	CHECKED: Brown Chen
	TOLERANCE:	DRAWN: Brown	APPROVED: George Yang
		DATE: 09/16/2005	

A B C D E F G H