

ELECTRICAL CHARACTERISTICS

CONTACT CURRENT RATING: 0.5 AMPERE (signal)
 1 AMPERE (ground)
 DIELECTRIC WITHSTANDING VOLTAGE: 30 VAC.
 INSULATION RESISTANCE: 1000 MEGOHMS MIN.
 CONTACT RESISTANCE: 80 MILLIOHMS MAX. (signal)
 35 MILLIOHMS MAX. (ground)

MATERIALS

CONTACTS: COPPER ALLOY
 INSULATOR: THERMOPLASTIC (UL94V-0)
 BRACKET: ZINC ALLOY

FINISHES

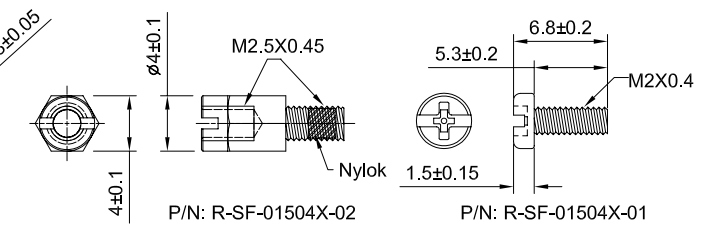
CONTACT: 30 u" MIN. GOLD ON MATING END;
 TIN ON TERMINATION END;
 ALL UNDERPLATED NICKEL

ENVIRONMENT

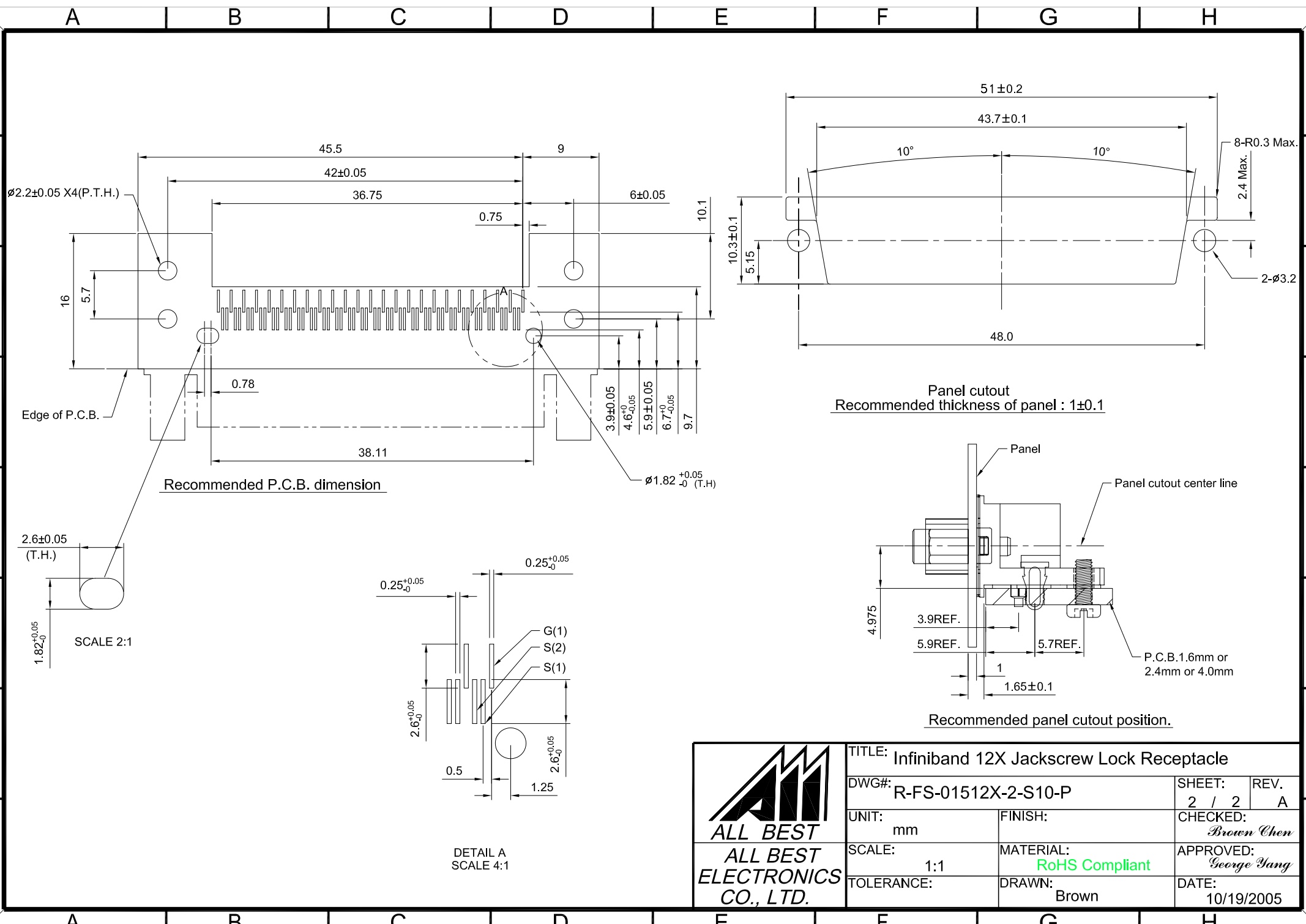
OPERATION TEMPERATURE: -40°C TO + 85°C
 DURABILITY: 250 MATING CYCLES MAX.
 HUMIDITY: 80%RH MAX.

NOTES

- 1. MATERIAL: STEEL, NICKEL PLATED.
- 2. SHIP WITH TWO STAND-OFFS R-SF-01504X-02 AND TWO P.C.B. MOUNTING SCREWS R-SF-01504X-01



TITLE: Infiniband 12X Jackscrew Lock Receptacle		SHEET:	REV.
DWG#: R-FS-01512X-2-S10-P		1 / 2	A
UNIT: mm	FINISH:	CHECKED: <i>Brown Chen</i>	
SCALE: 1:1	MATERIAL: RoHS Compliant	APPROVED: <i>George Yang</i>	
TOLERANCE:	DRAWN: Brown	DATE: 10/19/2005	



TITLE: Infiniband 12X Jackscrew Lock Receptacle		SHEET: 2 / 2		REV. A	
DWG#: R-FS-01512X-2-S10-P		CHECKED: <i>Brown Chen</i>		APPROVED: <i>George Yang</i>	
UNIT: mm	FINISH: Brown	DATE: 10/19/2005			
SCALE: 1:1	MATERIAL: RoHS Compliant				
TOLERANCE:	DRAWN:				