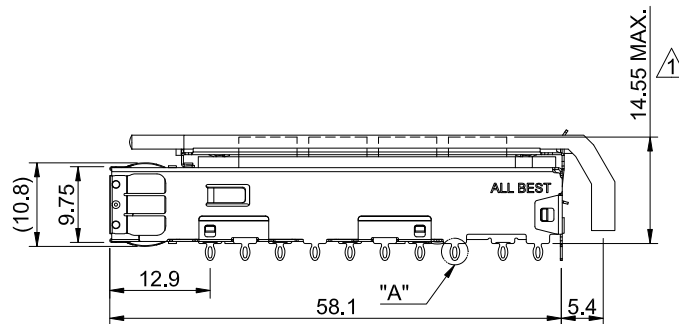
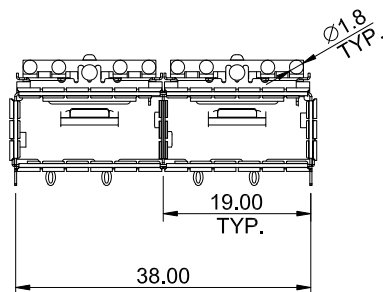
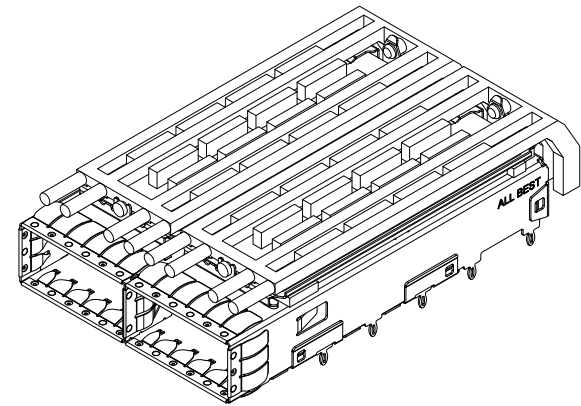


DETAIL A
SCALE 5:1

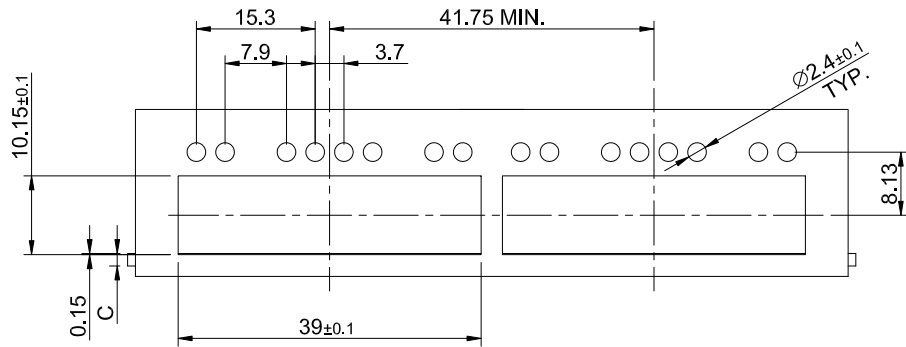


MATERIAL
 CAGE: NICKEL SILVER
 HEAT SINK: ALUMINUM
 HEAT SINK CLIP: STAINLESS STEEL
 EMI SPRING: STAINLESS STEEL
 LIGHT PIPE: PC

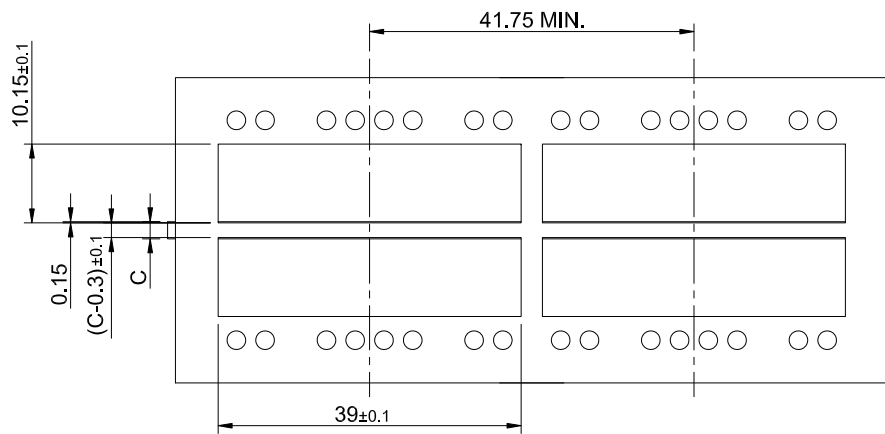
FINISH
 HEAT SINK: ANODE PROCESS

NOTE
 ▲ DIMENSION APPLIES WITH MODULE INSERTED IN CAGE

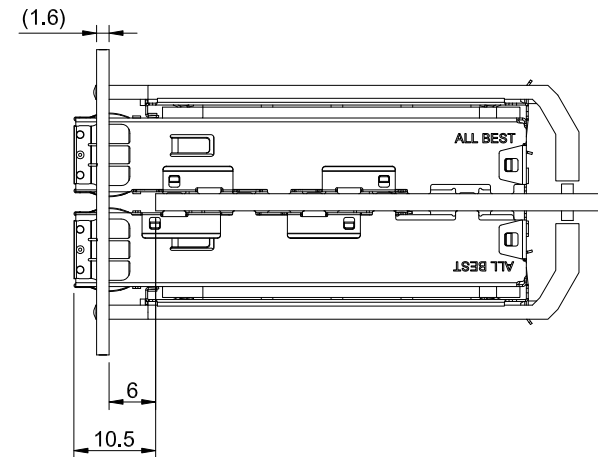
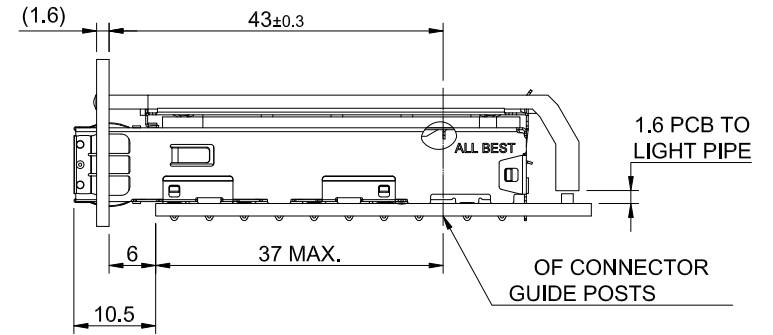
| | | | | | | | |
|--|----------------------------------------------------------|---------------|------------------------|--------------------------|--|-----------------------|--|
| | TITLE: QSFP+ 1X2 Cage Assembly w/ Light Pipe & Heat Sink | | | SHEET: 1/4 | | REV. A | |
| | DWG#: R-OR-Q2-4CMEG | | | CHECKED: Gary Kang | | APPROVED: George Yang | |
| | UNIT: mm | SCALE: A4 1:1 | FINISH: | MATERIAL: RoHS Compliant | | DATE: 08/30/2017 | |
| | TOLERANCE: X± 0.25 .X± 0.20 .XX± 0.15 | | THIRD ANGLE PROJECTION | DRAWN: Boris | | | |



SINGLE-SIDE CONFIGURATION



BELLY TO BELLY CONFIGURATION



C = THICKNESS OF PC BOARD
 SINGLE-SIDE = 1.6MM (MIN.)
 BELLY TO BELLY = 2.2MM (MIN.)



TITLE: QSFP+ 1X2 Cage Assembly w/ Light Pipe & Heat Sink

DWG#: R-OR-Q2-4CMEG

SHEET: 2/4
 REV. A

UNIT: mm
 SCALE: A4 1:1

FINISH:

CHECKED: Gary Hang

THIRD ANGLE PROJECTION

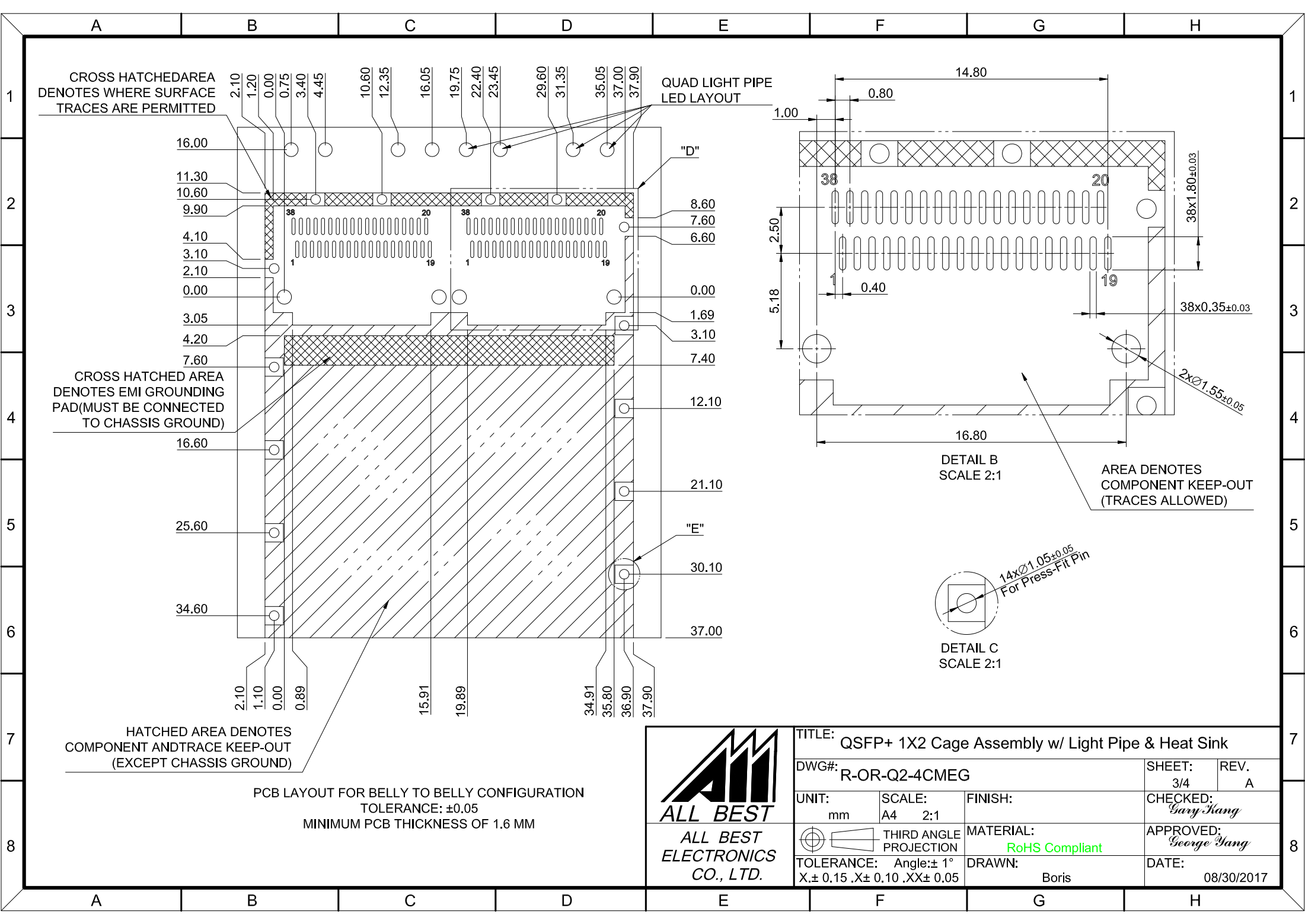
MATERIAL: RoHS Compliant

APPROVED: George Hang

TOLERANCE: Angle: ± 1°
 X.± 0.15 .X± 0.10 .XX± 0.05

DRAWN: Boris

DATE: 08/30/2017



CROSS HATCHED AREA DENOTES WHERE SURFACE TRACES ARE PERMITTED

CROSS HATCHED AREA DENOTES EMI GROUNDING PAD (MUST BE CONNECTED TO CHASSIS GROUND)

HATCHED AREA DENOTES COMPONENT AND TRACE KEEP-OUT (EXCEPT CHASSIS GROUND)

QUAD LIGHT PIPE LED LAYOUT

DETAIL B SCALE 2:1

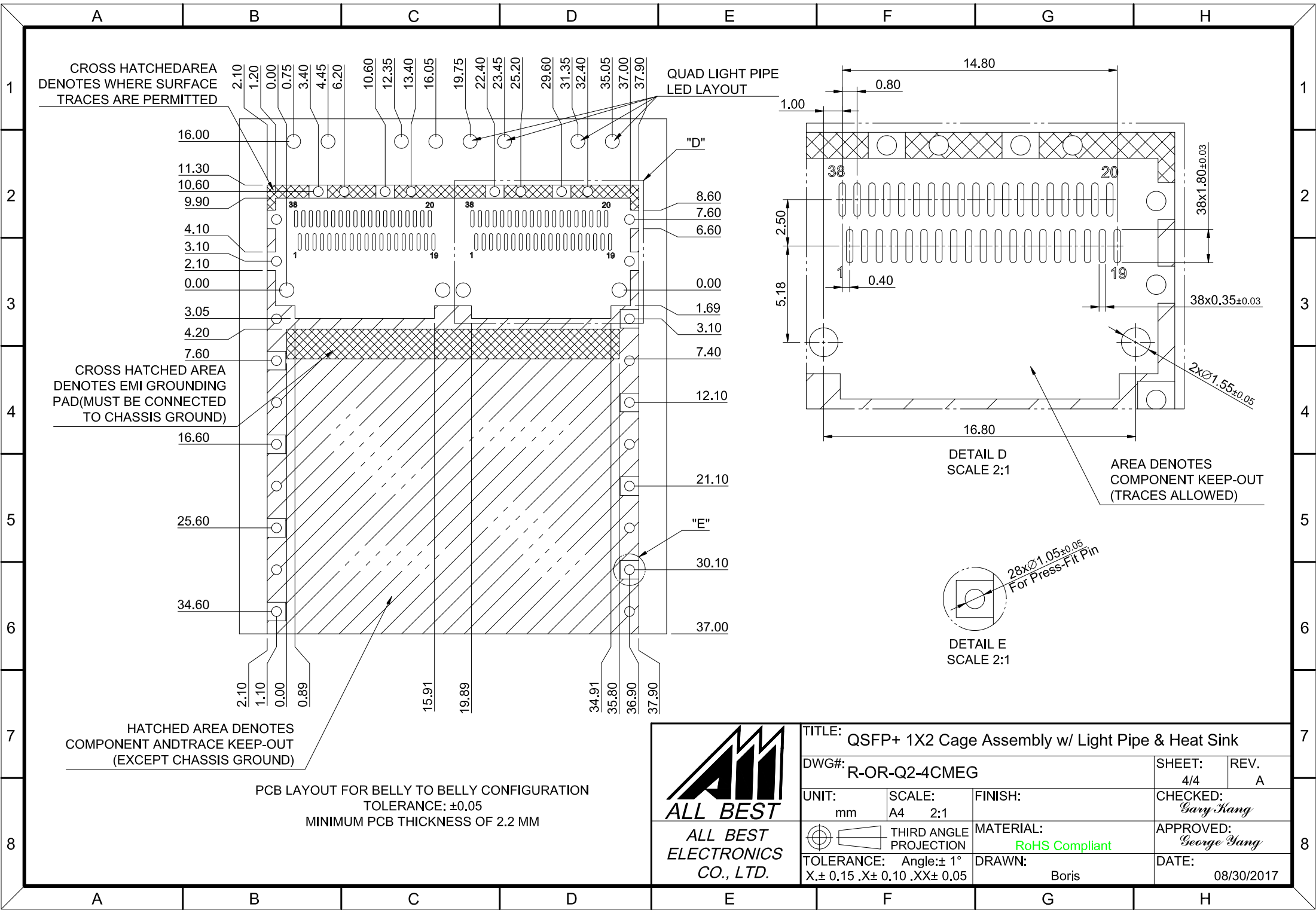
DETAIL C SCALE 2:1

AREA DENOTES COMPONENT KEEP-OUT (TRACES ALLOWED)

PCB LAYOUT FOR BELLY TO BELLY CONFIGURATION
TOLERANCE: ±0.05
MINIMUM PCB THICKNESS OF 1.6 MM



| | | | |
|----------------------------------------------------------|---------------|--------------------------|-----------------------|
| TITLE: QSFP+ 1X2 Cage Assembly w/ Light Pipe & Heat Sink | | | |
| DWG#: R-OR-Q2-4CMEG | | SHEET: 3/4 | REV. A |
| UNIT: mm | SCALE: A4 2:1 | FINISH: | CHECKED: Gary Yang |
| THIRD ANGLE PROJECTION | | MATERIAL: RoHS Compliant | APPROVED: George Yang |
| TOLERANCE: Angle: ±1° X ± 0.15 .X ± 0.10 .XX ± 0.05 | | DRAWN: Boris | DATE: 08/30/2017 |



| | | | |
|----------------------------------------------------------|---------------|--------------------------|-----------------------|
| TITLE: QSFP+ 1X2 Cage Assembly w/ Light Pipe & Heat Sink | | | |
| DWG#: R-OR-Q2-4CMEG | | SHEET: 4/4 | REV. A |
| UNIT: mm | SCALE: A4 2:1 | FINISH: | CHECKED: Gary Hang |
| THIRD ANGLE PROJECTION | | MATERIAL: RoHS Compliant | APPROVED: George Hang |
| TOLERANCE: Angle: ±1° X.± 0.15 .XX± 0.05 | | DRAWN: Boris | DATE: 08/30/2017 |