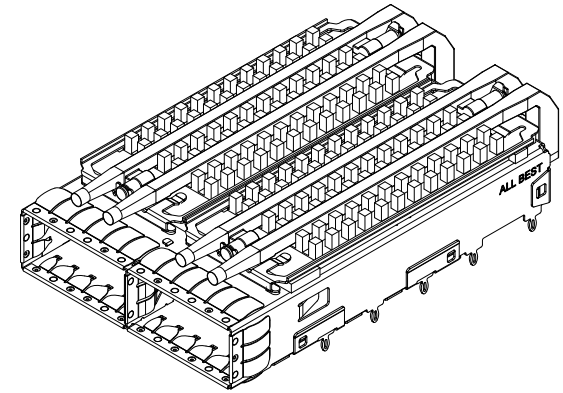


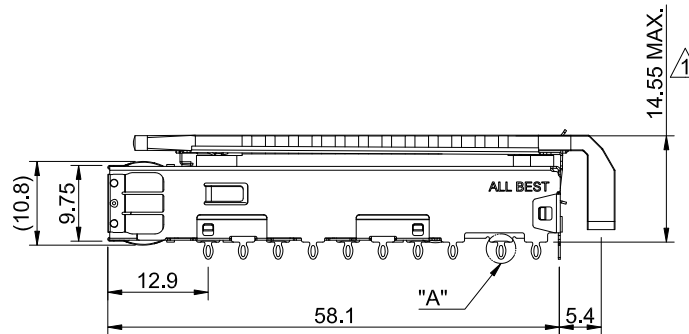
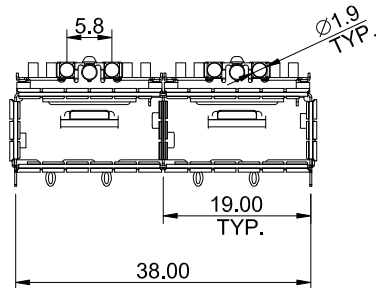
DETAIL A
SCALE 5:1




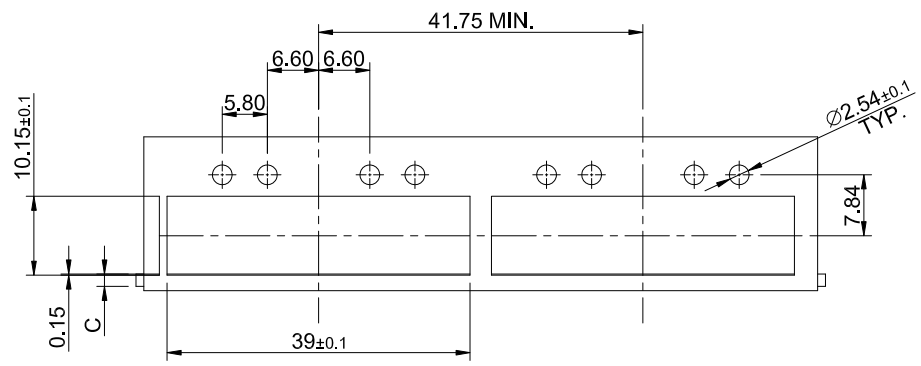
MATERIAL
 CAGE: NICKEL SILVER
 HEAT SINK: ALUMINUM
 HEAT SINK CLIP: STAINLESS STEEL
 EMI SPRING: STAINLESS STEEL
 LIGHT PIPE: PC

FINISH
 HEAT SINK: ANODE PROCESS

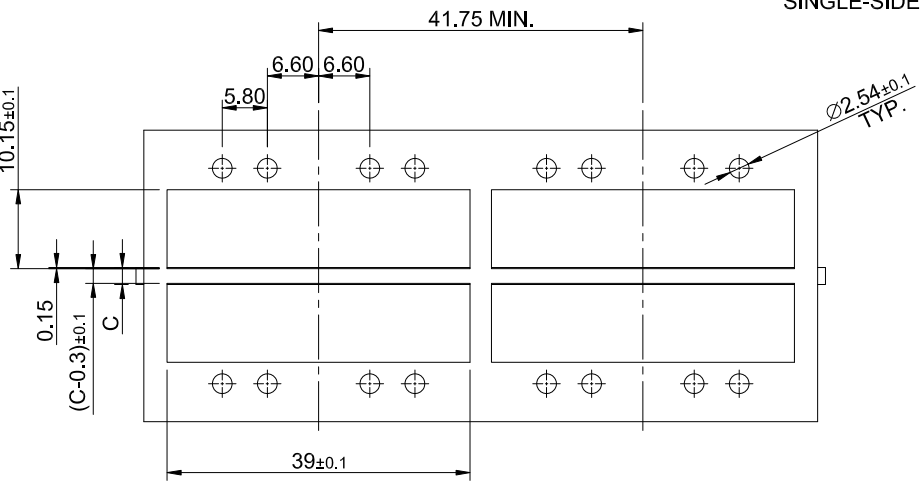
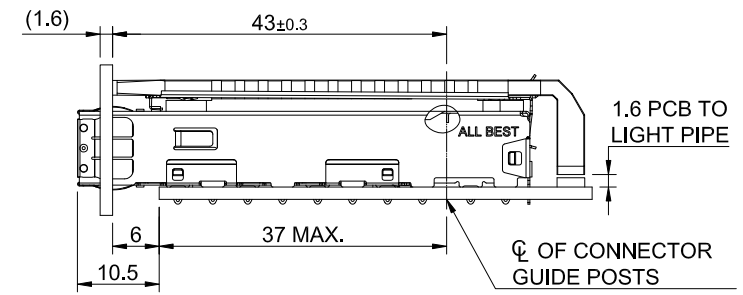
NOTE
 ▲ DIMENSION APPLIES WITH MODULE INSERTED IN CAGE



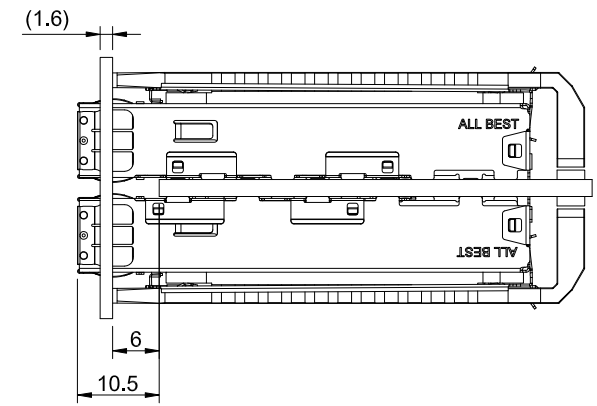
 ALL BEST ALL BEST ELECTRONICS CO., LTD.	TITLE: QSFP+ 1X2 Cage Assembly w/ Light Pipe & Heat Sink		SHEET: 1/4		REV. B
	DWG#: R-OR-Q2-4CME5		CHECKED: Gary Kang		APPROVED: George Yang
	UNIT: mm	SCALE: A4 1:1	FINISH:	MATERIAL: RoHS Compliant	
	TOLERANCE: X.± 0.25 .X± 0.20 .XX± 0.15		THIRD ANGLE PROJECTION	DRAWN: Boris	DATE: 10/26/2017




SINGLE-SIDE CONFIGURATION

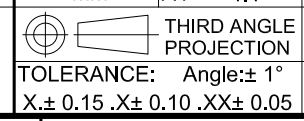


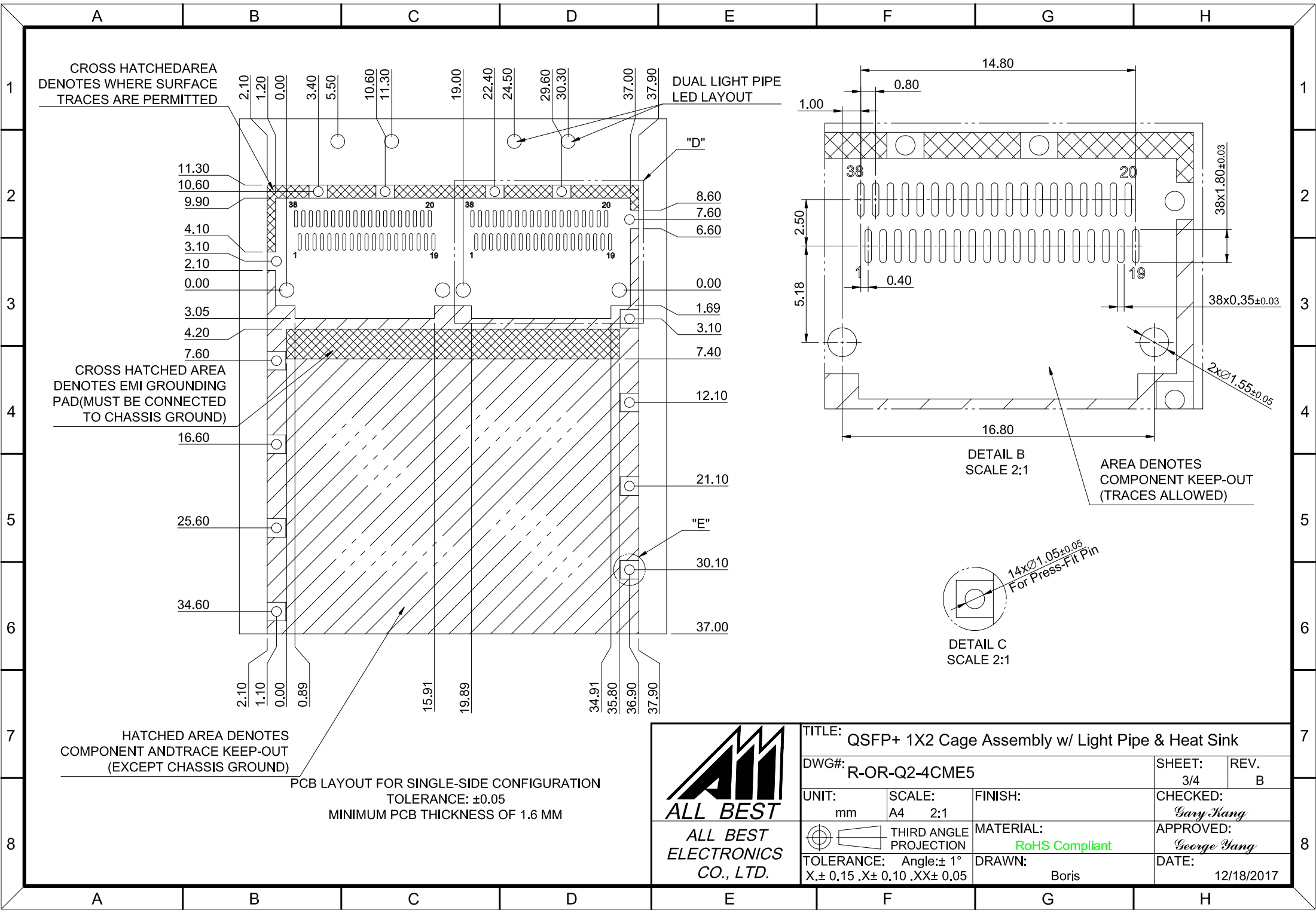
BELLY TO BELLY CONFIGURATION



C = THICKNESS OF PC BOARD
 SINGLE-SIDE = 1.6MM (MIN.)
 BELLY TO BELLY = 2.2MM (MIN.)

 ALL BEST ALL BEST ELECTRONICS CO., LTD.	TITLE: QSFP+ 1X2 Cage Assembly w/ Light Pipe & Heat Sink		SHEET: 2/4		REV. B	
	DWG#: R-OR-Q2-4CME5		CHECKED: Gary Yang		APPROVED: George Yang	
	UNIT: mm	SCALE: A4 1:1	FINISH:	MATERIAL: RoHS Compliant		
	TOLERANCE: X.± 0.15 .X± 0.10 .XX± 0.05		DRAWN: Boris	DATE: 12/18/2017		





CROSS HATCHED AREA DENOTES WHERE SURFACE TRACES ARE PERMITTED

DUAL LIGHT PIPE LED LAYOUT

CROSS HATCHED AREA DENOTES EMI GROUNDING PAD (MUST BE CONNECTED TO CHASSIS GROUND)

HATCHED AREA DENOTES COMPONENT AND TRACE KEEP-OUT (EXCEPT CHASSIS GROUND)

PCB LAYOUT FOR SINGLE-SIDE CONFIGURATION
TOLERANCE: ±0.05
MINIMUM PCB THICKNESS OF 1.6 MM

DETAIL B
SCALE 2:1

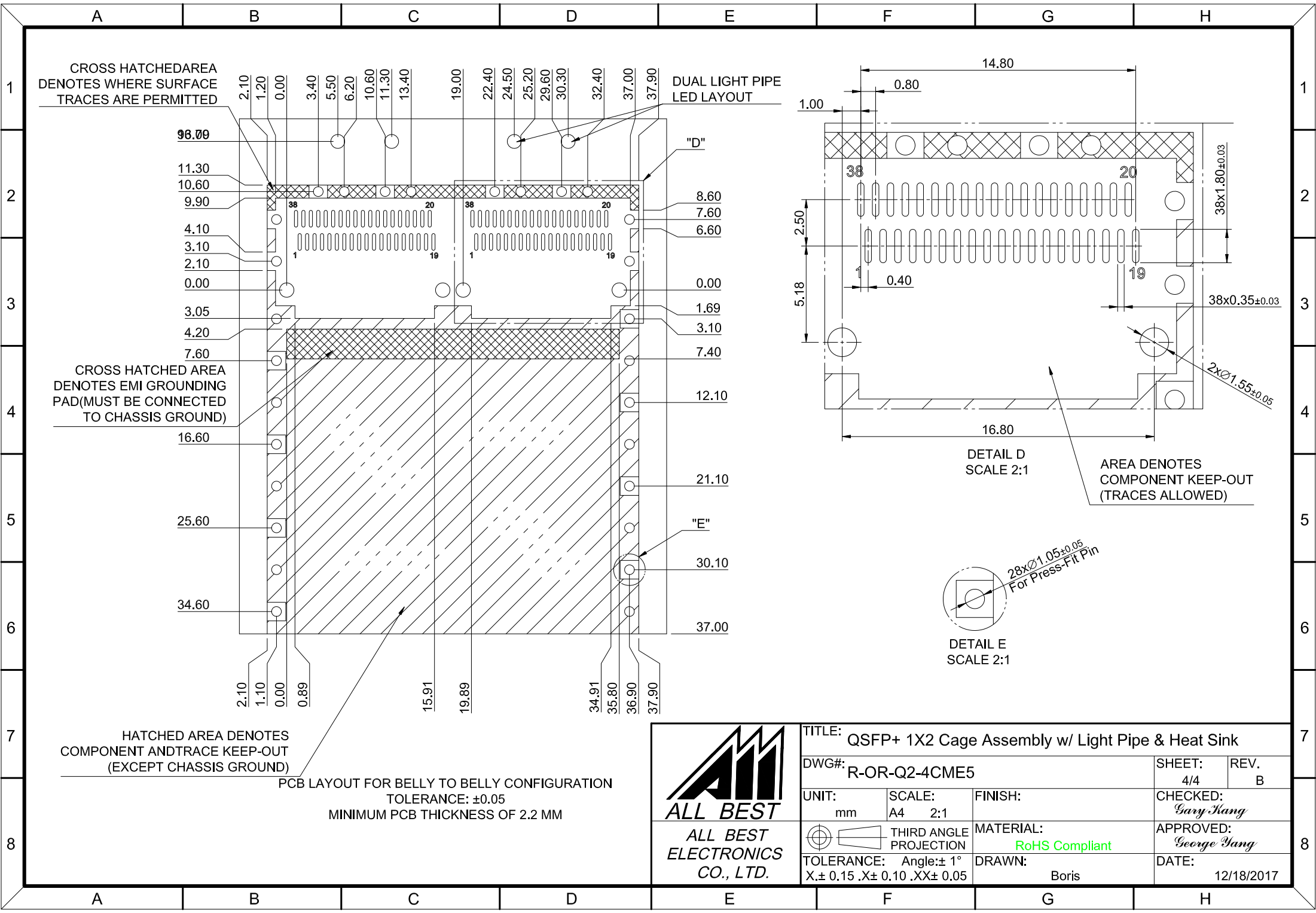
AREA DENOTES COMPONENT KEEP-OUT (TRACES ALLOWED)

DETAIL C
SCALE 2:1

14xØ1.05±0.05
For Press-Fit Pin



TITLE: QSFP+ 1X2 Cage Assembly w/ Light Pipe & Heat Sink			
DWG#: R-OR-Q2-4CME5		SHEET: 3/4	REV. B
UNIT: mm	SCALE: A4 2:1	FINISH:	CHECKED: Gary Yang
THIRD ANGLE PROJECTION		MATERIAL: RoHS Compliant	APPROVED: George Yang
TOLERANCE: Angle: ±1° X ± 0.15 .X ± 0.10 .XX ± 0.05		DRAWN: Boris	DATE: 12/18/2017



TITLE: QSFP+ 1X2 Cage Assembly w/ Light Pipe & Heat Sink			
DWG#: R-OR-Q2-4CME5		SHEET: 4/4	REV. B
UNIT: mm	SCALE: A4 2:1	FINISH:	CHECKED: Gary Yang
THIRD ANGLE PROJECTION		MATERIAL: RoHS Compliant	APPROVED: George Yang
TOLERANCE: Angle: ±1° X: ±0.15 .X: ±0.10 .XX: ±0.05		DRAWN: Boris	DATE: 12/18/2017