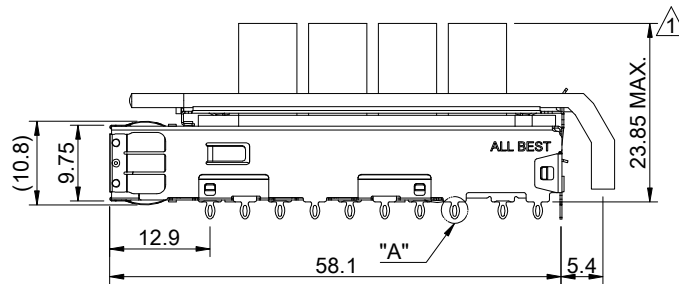
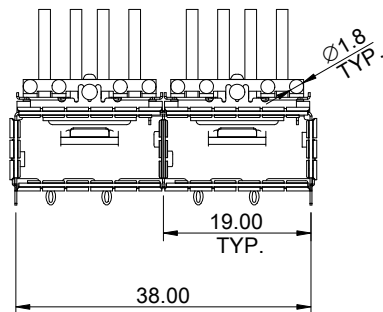
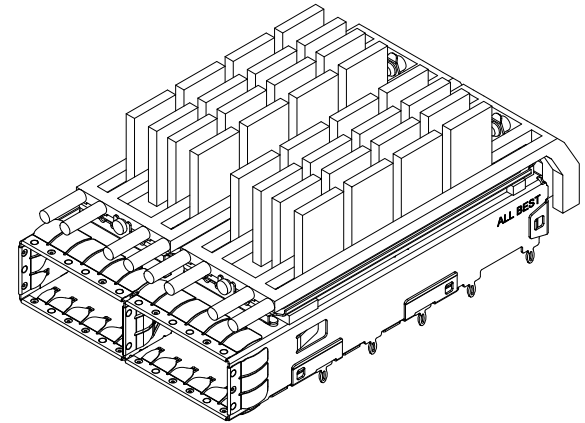


DETAIL A
SCALE 5:1



MATERIAL
 CAGE: NICKEL SILVER
 HEAT SINK: ALUMINUM
 HEAT SINK CLIP: STAINLESS STEEL
 EMI SPRING: STAINLESS STEEL
 LIGHT PIPE: PC

FINISH
 HEAT SINK: ANODE PROCESS

NOTE
 ▲ DIMENSION APPLIES WITH MODULE INSERTED IN CAGE

THIS PRINT IS
PRELIMINARY
 UNQUALIFIED PRODUCT
 CONTACT PRODUCT ENGINEERING
 BEFORE USING THIS PRINT



TITLE: QSFP+ 1X2 Cage Assembly w/ Light Pipe & Heat Sink

DWG#: R-OR-Q2-4CMEE

SHEET: 1/4
 REV. Ref

UNIT: mm
 SCALE: A4 1:1

FINISH: CHECKED:

THIRD ANGLE PROJECTION

MATERIAL: RoHS Compliant

APPROVED:

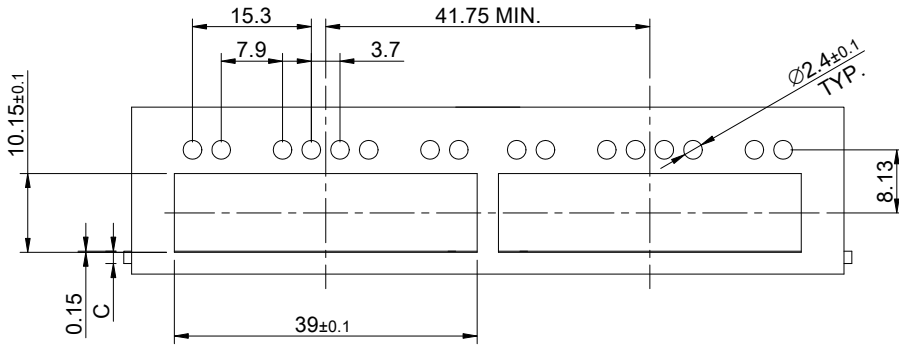
TOLERANCE: Angle: ± 1°
 X: ± 0.25 .X: ± 0.20 .XX: ± 0.15

DRAWN: Gary

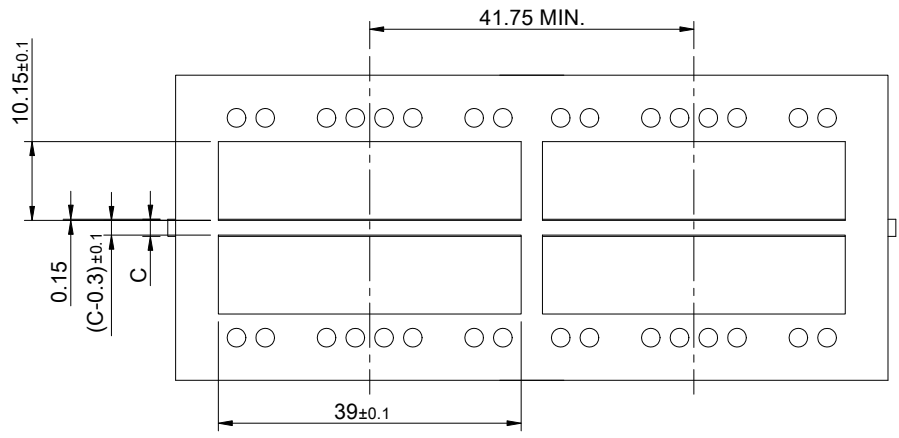
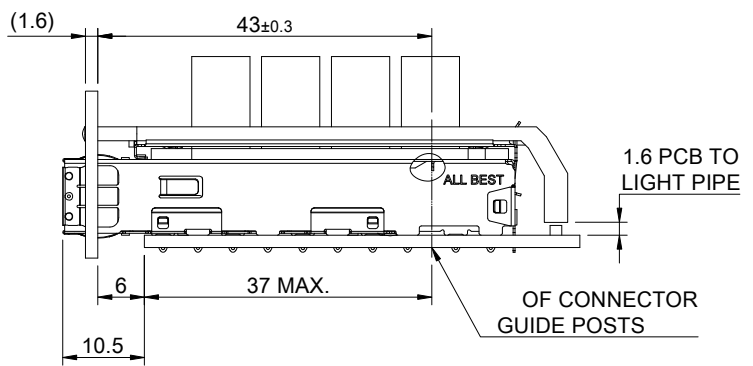
DATE: 03/15/2024

A B C D E F G H

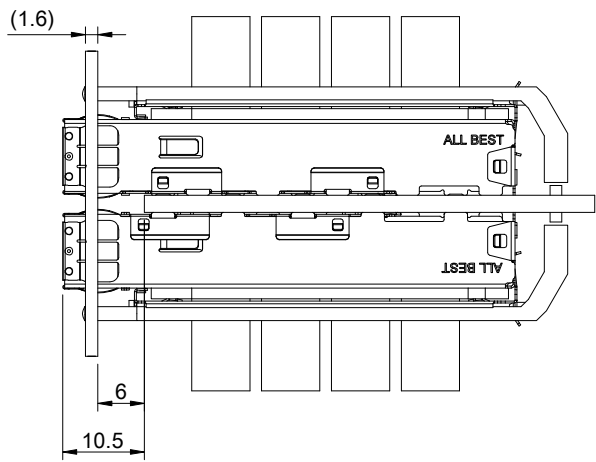
1
2
3
4
5
6
7
8



SINGLE-SIDE CONFIGURATION



BELLY TO BELLY CONFIGURATION



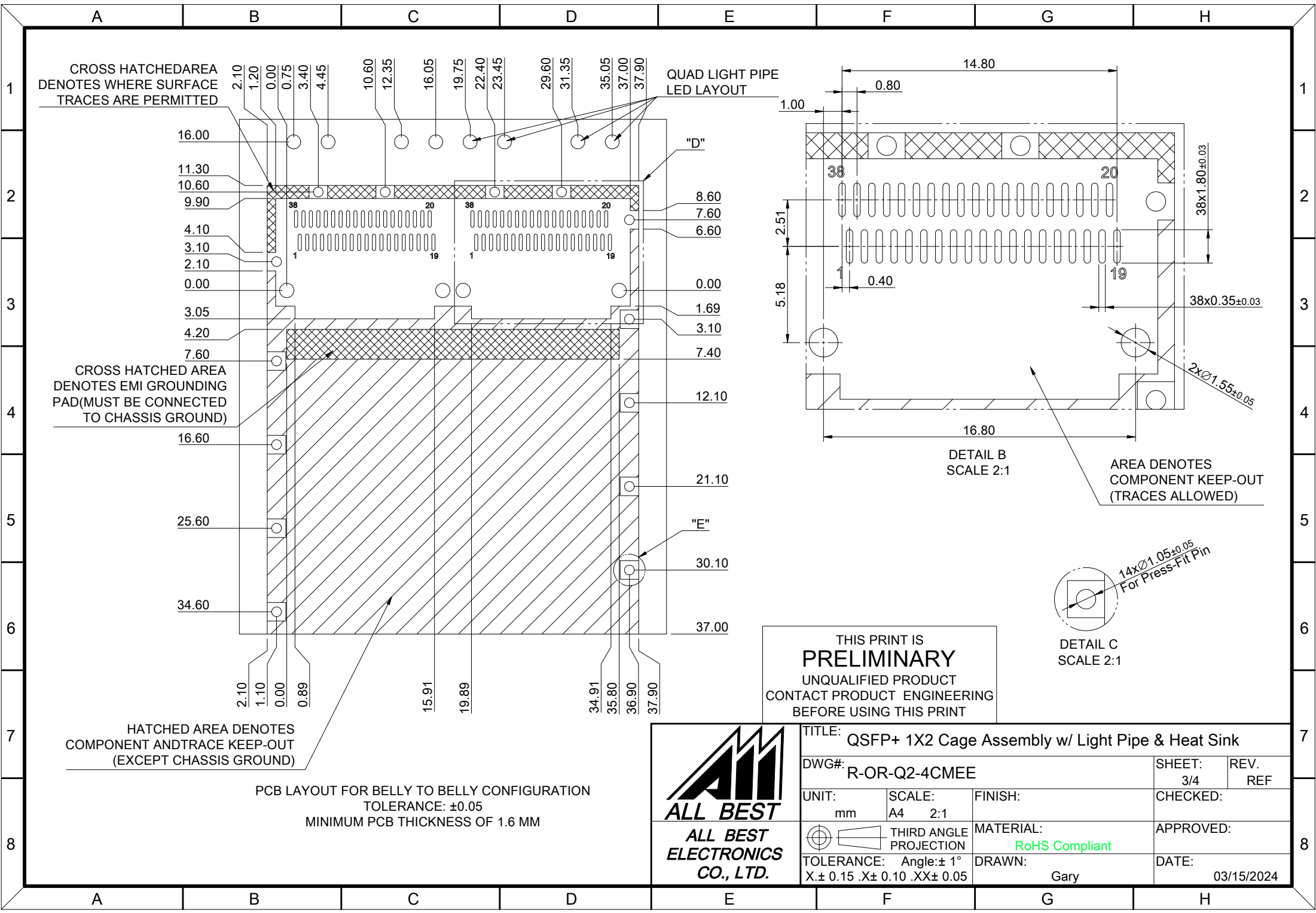
C = THICKNESS OF PC BOARD
 SINGLE-SIDE = 1.6MM (MIN.)
 BELLY TO BELLY = 2.2MM (MIN.)

THIS PRINT IS
PRELIMINARY
 UNQUALIFIED PRODUCT
 CONTACT PRODUCT ENGINEERING
 BEFORE USING THIS PRINT



| | | | |
|--|---------------|--------------------------|------------------|
| TITLE: QSFP+ 1X2 Cage Assembly w/ Light Pipe & Heat Sink | | | |
| DWG#: R-OR-Q2-4CMEE | | SHEET: 2/4 | REV. REF |
| UNIT: mm | SCALE: A4 1:1 | CHECKED: | |
| TOLERANCE: Angle: ± 1° X ± 0.15 .X ± 0.10 .XX ± 0.05 | | MATERIAL: RoHS Compliant | APPROVED: |
| THIRD ANGLE PROJECTION | | DRAWN: Gary | DATE: 03/15/2024 |

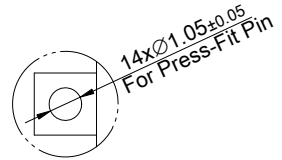
A B C D E F G H

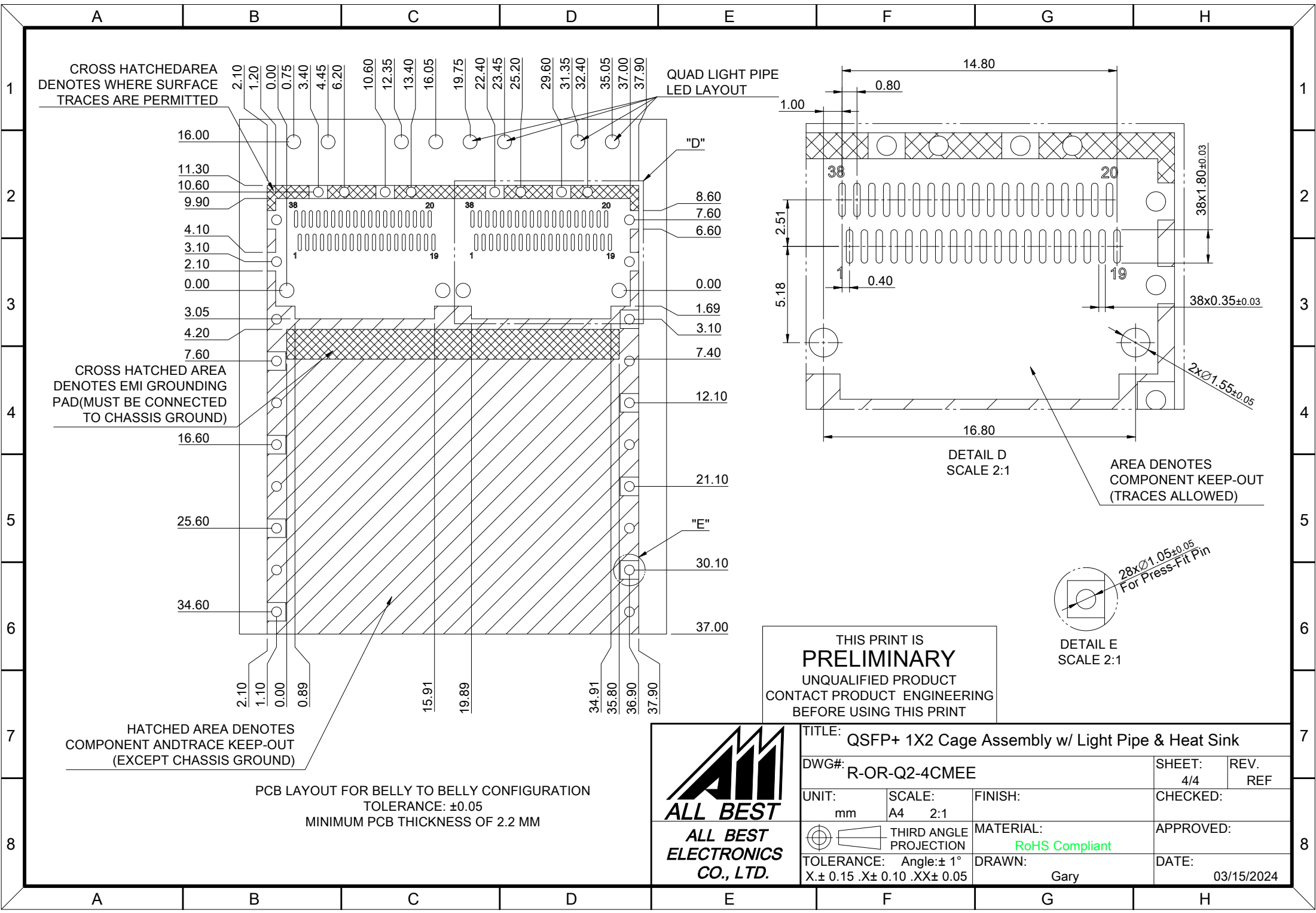


THIS PRINT IS
PRELIMINARY
 UNQUALIFIED PRODUCT
 CONTACT PRODUCT ENGINEERING
 BEFORE USING THIS PRINT



| | | | |
|--|---------------|--------------------------|------------------|
| TITLE: QSFP+ 1X2 Cage Assembly w/ Light Pipe & Heat Sink | | | |
| DWG#: R-OR-Q2-4CMEE | | SHEET: 3/4 | REV. REF |
| UNIT: mm | SCALE: A4 2:1 | FINISH: | CHECKED: |
| THIRD ANGLE PROJECTION | | MATERIAL: RoHS Compliant | APPROVED: |
| TOLERANCE: Angle: ± 1° X ± 0.15 .X ± 0.10 .XX ± 0.05 | | DRAWN: Gary | DATE: 03/15/2024 |





CROSS HATCHED AREA DENOTES WHERE SURFACE TRACES ARE PERMITTED

QUAD LIGHT PIPE LED LAYOUT

CROSS HATCHED AREA DENOTES EMI GROUNDING PAD (MUST BE CONNECTED TO CHASSIS GROUND)

DETAIL D SCALE 2:1

AREA DENOTES COMPONENT KEEP-OUT (TRACES ALLOWED)

HATCHED AREA DENOTES COMPONENT AND TRACE KEEP-OUT (EXCEPT CHASSIS GROUND)

DETAIL E SCALE 2:1

28xØ1.05±0.05 For Press-Fit Pin

PCB LAYOUT FOR BELLY TO BELLY CONFIGURATION
TOLERANCE: ±0.05
MINIMUM PCB THICKNESS OF 2.2 MM

THIS PRINT IS
PRELIMINARY
UNQUALIFIED PRODUCT
CONTACT PRODUCT ENGINEERING
BEFORE USING THIS PRINT



| | | | |
|--|---------------|--------------------------|-----------|
| TITLE: QSFP+ 1X2 Cage Assembly w/ Light Pipe & Heat Sink | | | |
| DWG#: R-OR-Q2-4CMEE | | SHEET: 4/4 | REV. REF |
| UNIT: mm | SCALE: A4 2:1 | CHECKED: | |
| TOLERANCE: Angle: ± 1° X ± 0.15 .X ± 0.10 .XX ± 0.05 | | MATERIAL: RoHS Compliant | APPROVED: |
| DRAWN: Gary | | DATE: 03/15/2024 | |

