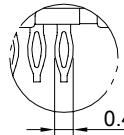
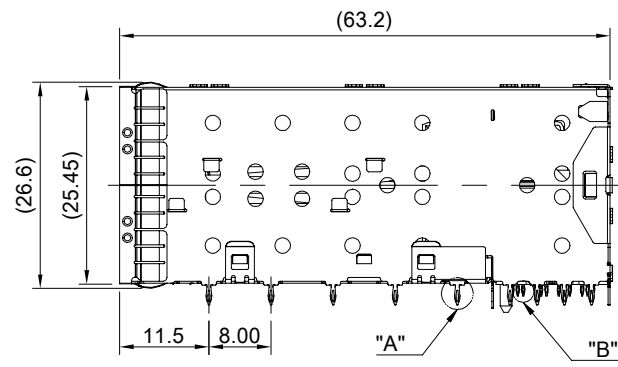
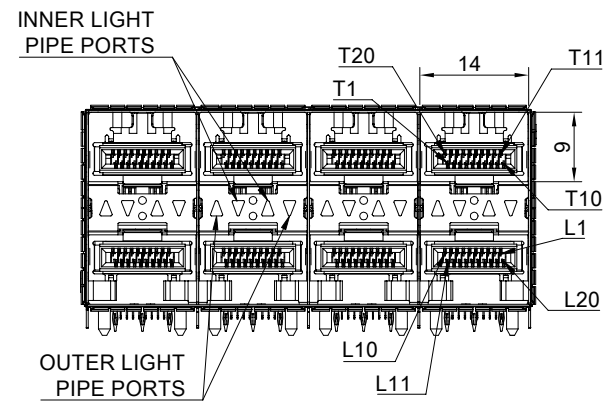
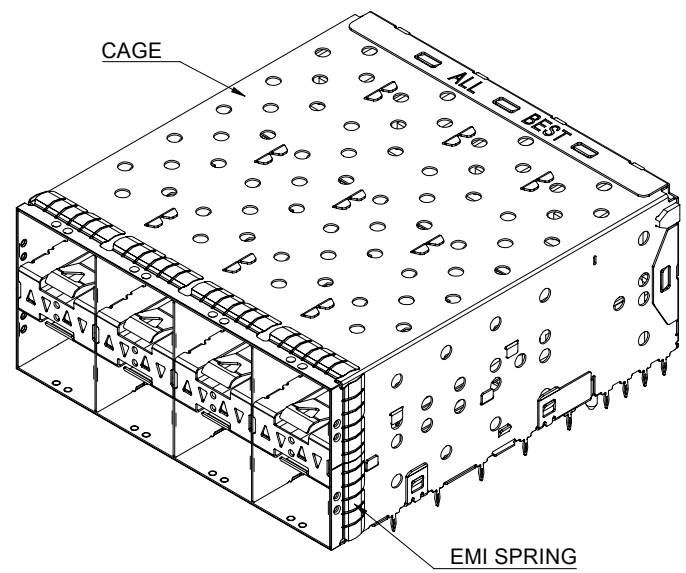


DETAIL A  
SCALE 5:1



DETAIL B  
SCALE 5:1



**MATERIAL**  
 CAGE: NICKEL SILVER  
 CONNECTOR HOUSING: THERMOPLASTIC, UL 94V-0  
 CONNECTOR HOUSING SHIELD: STAINLESS STEEL  
 INSULATOR COLOR: DEEP GRAY  
 CONTACTS: COPPER ALLOY  
 EMI SPRING: STAINLESS STEEL  
 LIGHT PIPE: PC (CLEAR)

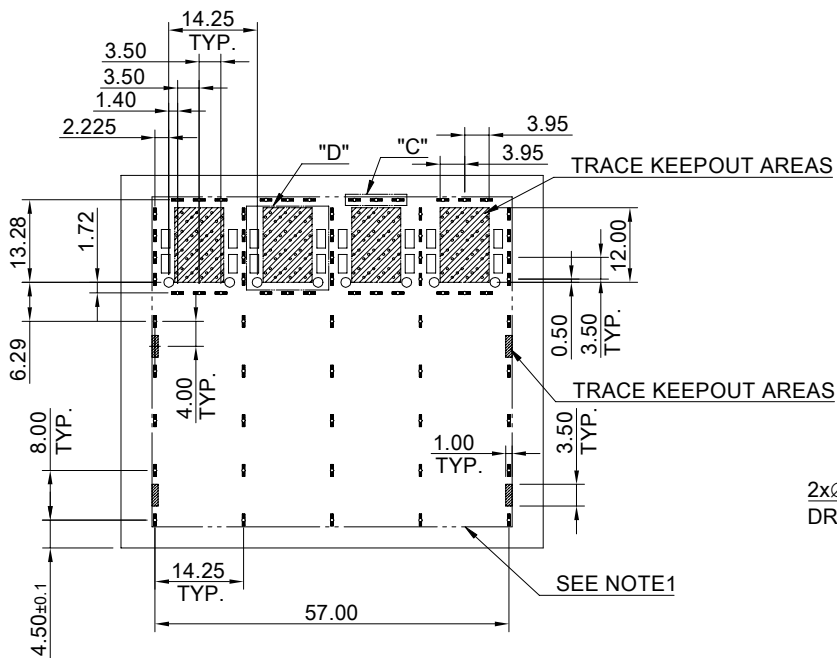
**FINISH**  
 CONTACT: 15µ" MIN. GOLD ON MATING END;  
 30µ" MIN. MATTE TIN ON TERMINATION END;  
 ALL UNDERPLATED 50µ" MIN. NICKEL

**ELECTRICAL CHARACTERISTICS**  
 CONTACT CURRENT RATING: 0.5 AMPERE  
 DIELECTRIC WITHSTANDING VOLTAGE: 300 VAC  
 VOLTAGE RATING: 30 VAC  
 CONTACT RESISTANCE: 80 mΩ MAX.

THIS PRINT IS  
**PRELIMINARY**  
 UNQUALIFIED PRODUCT  
 CONTACT PRODUCT ENGINEERING  
 BEFORE USING THIS PRINT

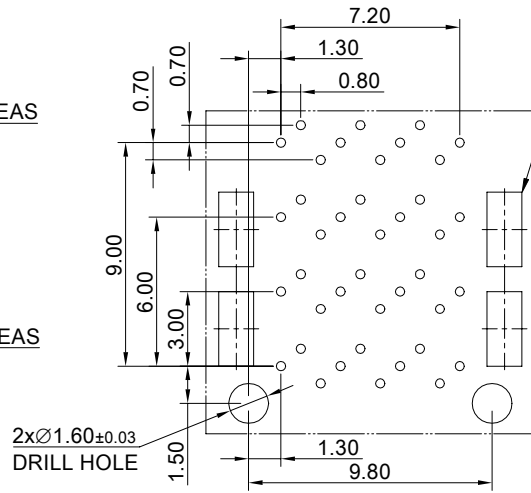


TITLE: Stacked SFP56 2X4 ASS'Y w/ Light Pipe			
DWG#: R-OP-0562X4-P-F-N3-01-IO2		SHEET: 1/2	REV. REF
UNIT: mm	SCALE: A4 1:1	FINISH:	CHECKED:
THIRD ANGLE PROJECTION		MATERIAL: RoHS Compliant	APPROVED:
TOLERANCE: Angle: ± 1° X ± 0.25 .X ± 0.20 .XX ± 0.15		DRAWN: Tony	DATE: 03/26/2024

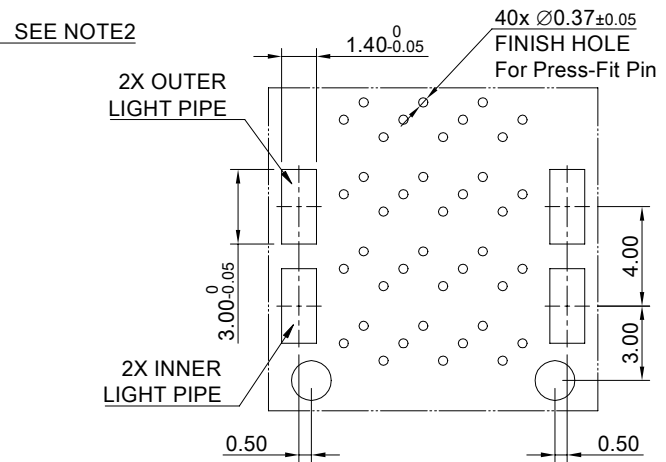


RECOMMENDED PCB LAYOUT  
 TOLERANCE: ±0.05  
 MINIMUM PCB THICKNESS OF 2MM

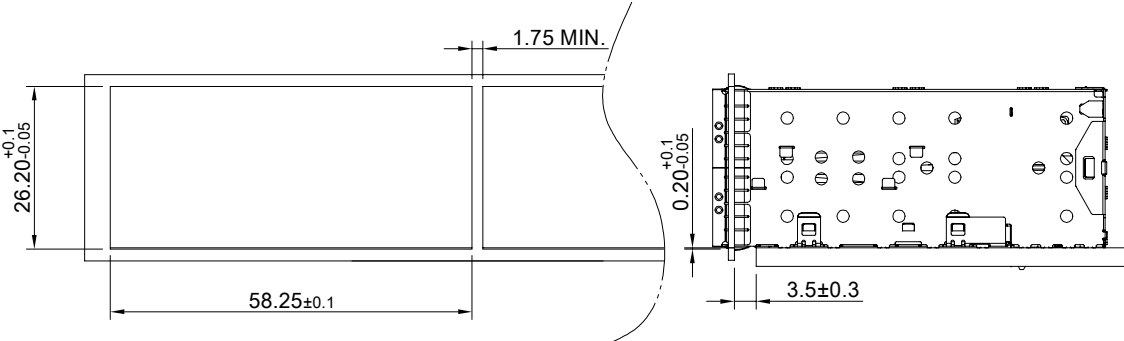
- NOTE :
- 1.)THE ENTIRE AREA OF THE CONNECTOR FOOTPRINT, INDICATED BY THE DASHED LINE, TO BE CONSIDERED THE KEEPOUT AREA FOR COMPONENTS AND SIGNAL TRACES, TOP SIDE ONLY, TOP SIDE TRACES ALLOWED WITHIN CONNECTOR HOLE PATTERN.
  - 2.)LIGHT PIPE PAD LAYOUT IS FOR 0805 LOW PROFILE LED PACKAGE WITH A HEIGHT OF 0.8mm



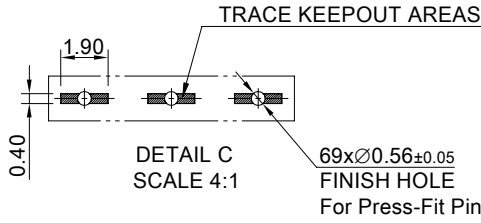
DETAIL D-1  
SCALE 4:1



DETAIL D-2  
SCALE 4:1



- T19 ○ T16 ○ T13 ○
- T20 ○ T17 ○ T14 ○ T11 ○
- T18 ○ T15 ○ T12 ○
- T2 ○ T5 ○ T8 ○
- T1 ○ T4 ○ T7 ○ T10 ○
- T3 ○ T6 ○ T9 ○
- L9 ○ L6 ○ L3 ○
- L10 ○ L7 ○ L4 ○ L1 ○
- L8 ○ L5 ○ L2 ○
- L12 ○ L15 ○ L18 ○
- L11 ○ L14 ○ L17 ○ L20 ○
- L13 ○ L16 ○ L19 ○



DETAIL C  
SCALE 4:1

THIS PRINT IS  
 PRELIMINARY  
 UNQUALIFIED PRODUCT  
 CONTACT PRODUCT ENGINEERING  
 BEFORE USING THIS PRINT

		TITLE: Stacked SFP56 2X4 ASS'Y w/ Light Pipe	
		DWG#: R-OP-0562X4-P-F-N3-01-IO2	SHEET: 2/2 REV. REF
UNIT: mm	SCALE: A4 4:5	FINISH:	CHECKED:
THIRD ANGLE PROJECTION		MATERIAL: RoHS Compliant	APPROVED:
TOLERANCE: X±0.15 .X±0.10 .XX±0.5		DRAWN: Tony	DATE: 03/26/2024