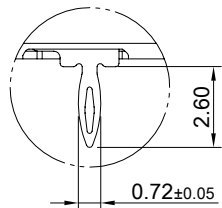
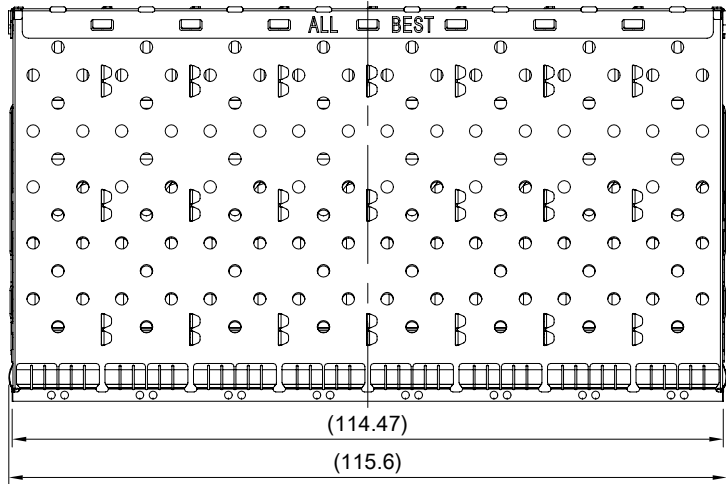
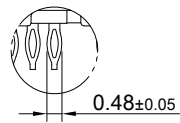


A B C D E F G H

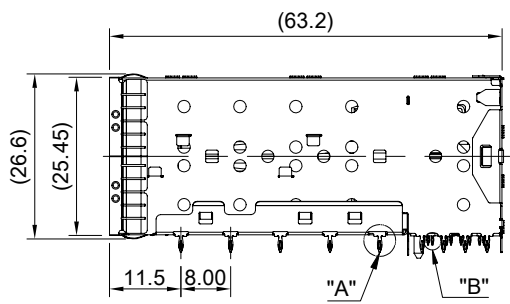
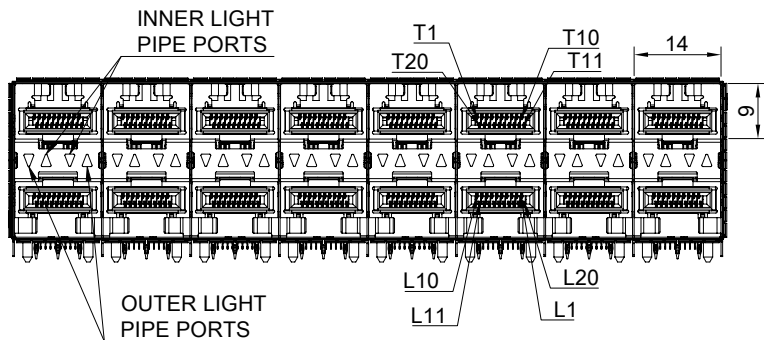
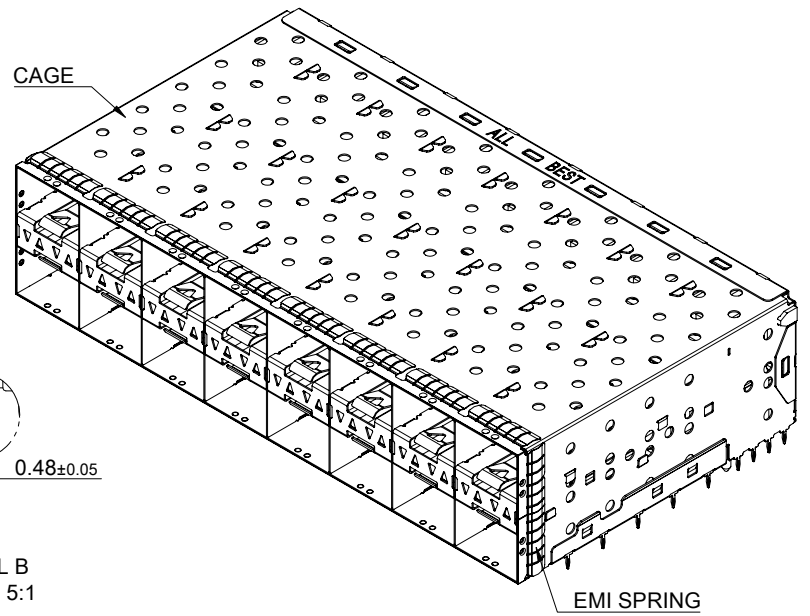
1
2
3
4
5
6
7
8



DETAIL A
SCALE 5:1



DETAIL B
SCALE 5:1



MATERIAL
 CAGE: NICKEL SILVER
 CONNECTOR HOUSING: THERMOPLASTIC, UL 94V-0
 CONNECTOR HOUSING SHIELD: STAINLESS STEEL
 INSULATOR COLOR: DEEP GRAY
 CONTACTS: COPPER ALLOY
 EMI SPRING: STAINLESS STEEL
 LIGHT PIPE: PC (CLEAR)

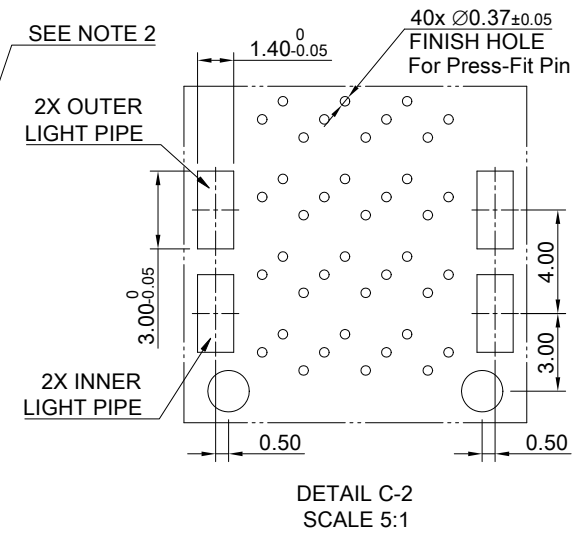
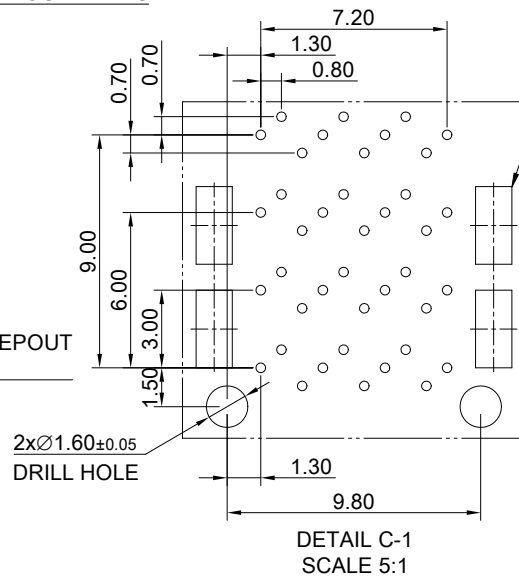
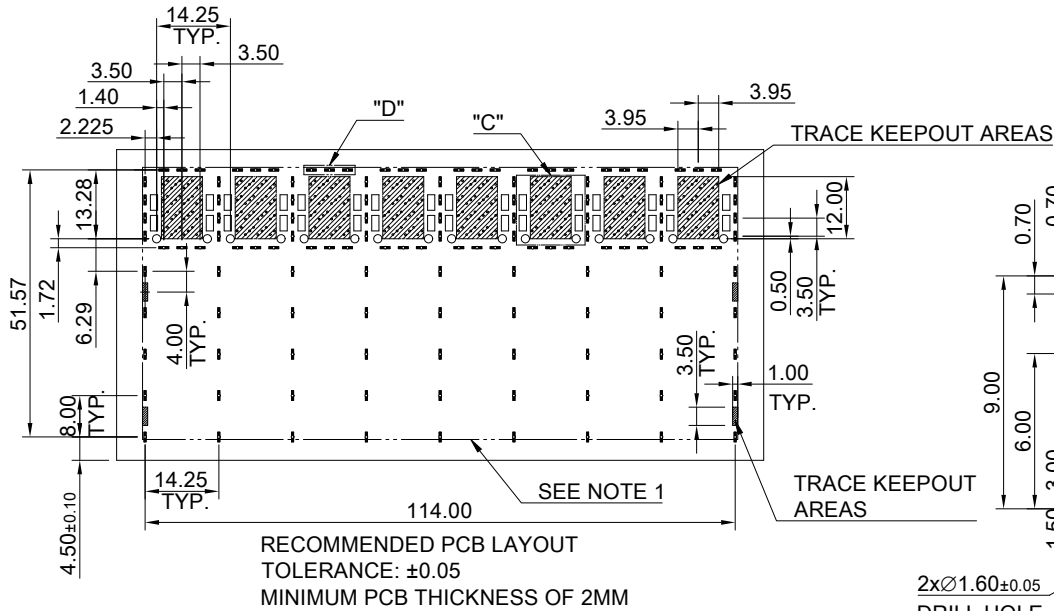
FINISH
 CONTACT: 15µ" MIN. GOLD ON MATING END;
 30µ" MIN. MATTE TIN ON TERMINATION END;
 ALL UNDERPLATED 50µ" MIN. NICKEL

ELECTRICAL CHARACTERISTICS
 CONTACT CURRENT RATING: 0.5 AMPERE
 DIELECTRIC WITHSTANDING VOLTAGE: 300 VAC
 VOLTAGE RATING: 30 VAC
 CONTACT RESISTANCE: 80 mΩ MAX

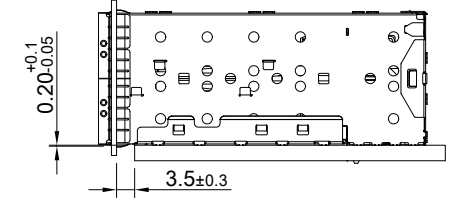
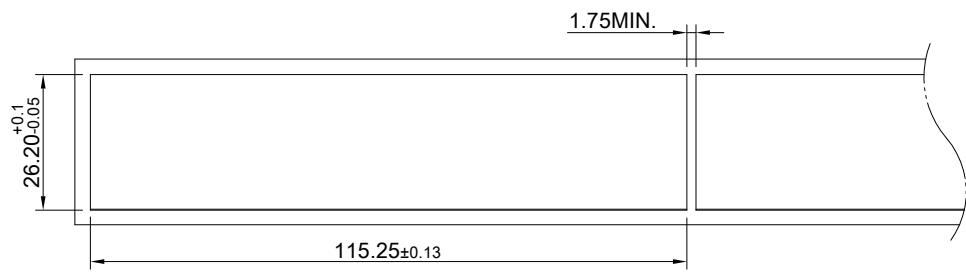
	TITLE: Stacked SFP56 2X8 ASS'Y w/ Light Pipe		SHEET: 1/2	REV. REF
	DWG#: R-OP-0562X8-PP-F-N3-01-IO		CHECKED:	APPROVED:
	UNIT: mm	SCALE: A4 1:1	MATERIAL: RoHS Compliant	
	TOLERANCE: X±0.25 .X±0.20 .XX±0.15		DRAWN: Tony	DATE: 03/26/2024

THIS PRINT IS PRELIMINARY
 UNQUALIFIED PRODUCT
 CONTACT PRODUCT ENGINEERING
 BEFORE USING THIS PRINT

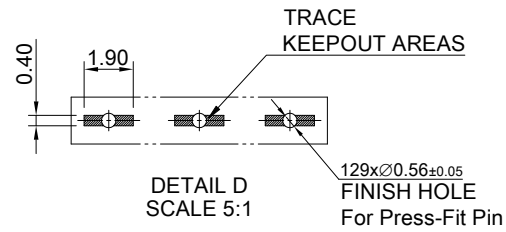
A B C D E F G H



NOTE :
 1.)THE ENTIRE AREA OF THE CONNECTOR FOOTPRINT, INDICATED BY THE DASHED LINE, TO BE CONSIDERED THE KEEPOUT AREA FOR COMPONENTS AND SIGNAL TRACES, TOP SIDE ONLY, TOP SIDE TRACES ALLOWED WITHIN CONNECTOR HOLE PATTERN.
 2.)LIGHT PIPE PAD LAYOUT IS FOR 0805 LOW PROFILE LED PACKAGE WITH A HEIGHT OF 0.8mm



T19	T16	T13
T20	T17	T14
T18	T15	T12
T2	T5	T8
T1	T4	T7
T3	T6	T9
L9	L6	L3
L10	L7	L4
L8	L5	L2
L12	L15	L18
L11	L14	L17
L13	L16	L19



THIS PRINT IS PRELIMINARY UNQUALIFIED PRODUCT CONTACT PRODUCT ENGINEERING BEFORE USING THIS PRINT



TITLE: Stacked SFP56 2X8 ASS'Y w/ Light Pipe		SHEET: 2/2		REV. REF	
DWG#: R-OP-0562X8-PP-F-N3-01-IO		CHECKED:		APPROVED:	
UNIT: mm	SCALE: A4 1:1	FINISH: RoHS Compliant		DATE: 03/26/2024	
TOLERANCE: Angle: ±1° X ± 0.15 .X ± 0.10 .XX ± 0.05		DRAWN: Tony			