

MATERIAL
 CAGE: NICKEL SILVER
 EMI SPRING: STAINLESS STEEL
 LIGHT PIPE: PC
 HEAT SINK: ALUMINUM
 HEAT SINK CLIP: STAINLESS STEEL

FINISH
 HEAT SINK: ANODE PROCESS

NOTE
 ▲ DIMENSION APPLIES WITH MODULE INSERTED IN CAGE

THIS PRINT IS
PRELIMINARY
 UNQUALIFIED PRODUCT
 CONTACT PRODUCT ENGINEERING
 BEFORE USING THIS PRINT



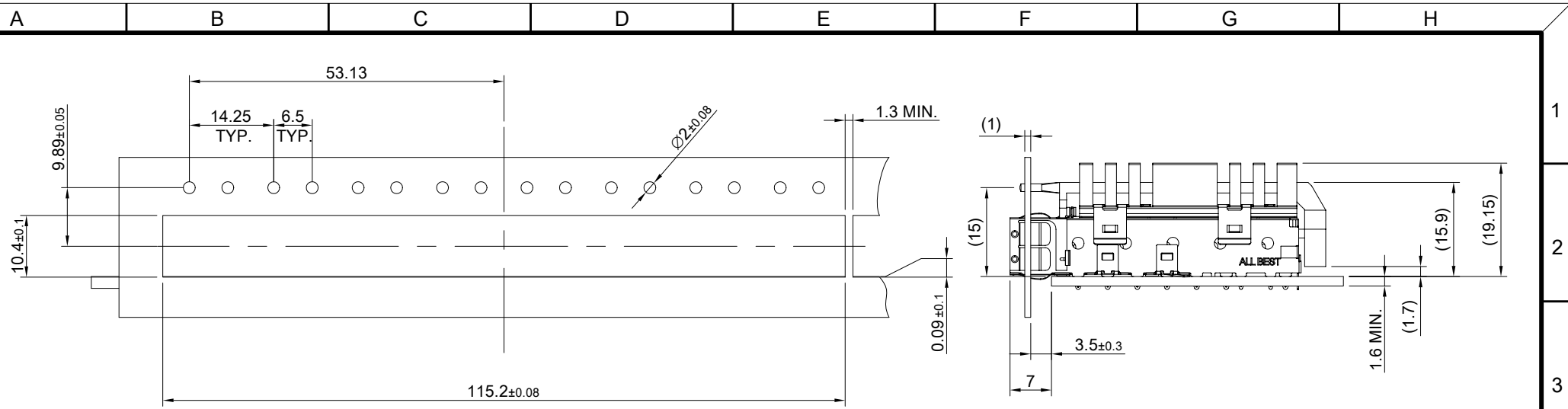
TITLE: SFP56 1X8 Cage Assembly w/ Light Pipe & Heat Sink		SHEET: 1/4	REV. REF
DWG#: R-SH-0561X8-7-T-A1		CHECKED:	APPROVED:
UNIT: mm	SCALE: A4 2:3	MATERIAL: RoHS Compliant	
TOLERANCE: Angle: ± 1° X.± 0.25 .X± 0.15 .XX± 0.05		DRAWN: Ting	DATE: 05/10/2021

1
2
3
4
5
6
7
8

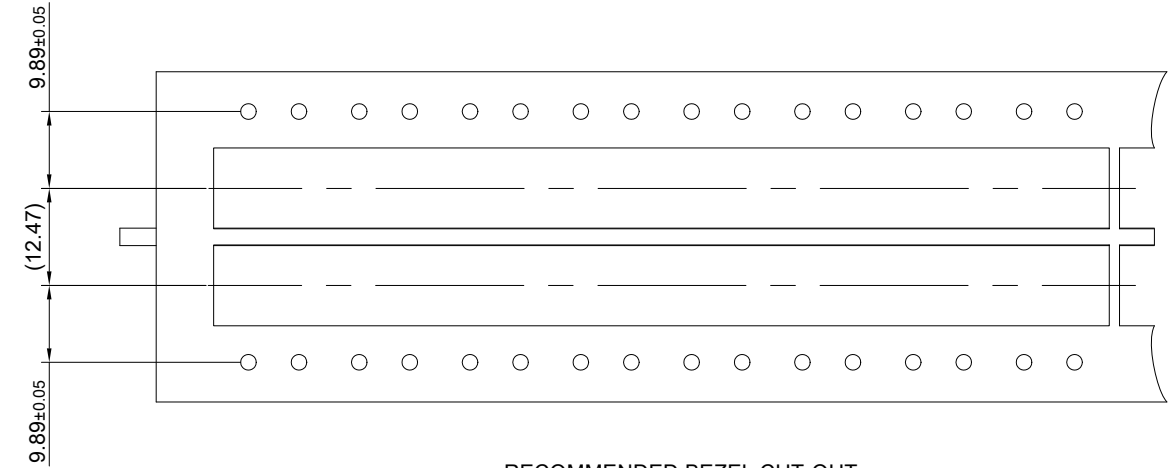
1
2
3
4
5
6
7
8

A B C D E F G H

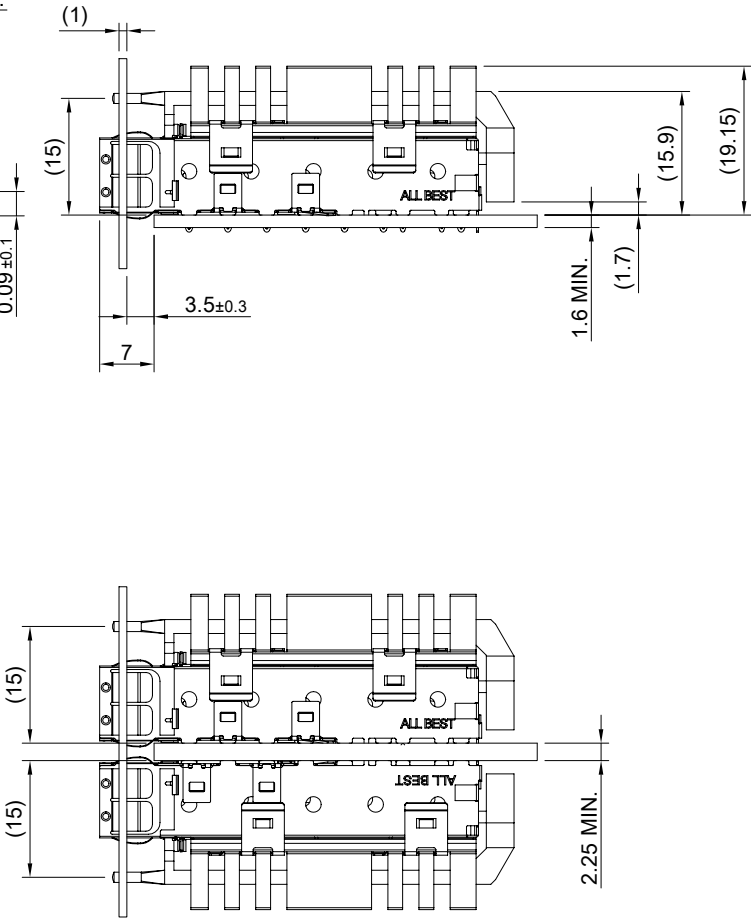
A B C D E F G H



RECOMMENDED BEZEL CUT-OUT
SINGLE-SIDE APPLICATIONS



RECOMMENDED BEZEL CUT-OUT
BELLY TO BELLY APPLICATIONS



THIS PRINT IS
PRELIMINARY
UNQUALIFIED PRODUCT
CONTACT PRODUCT ENGINEERING
BEFORE USING THIS PRINT

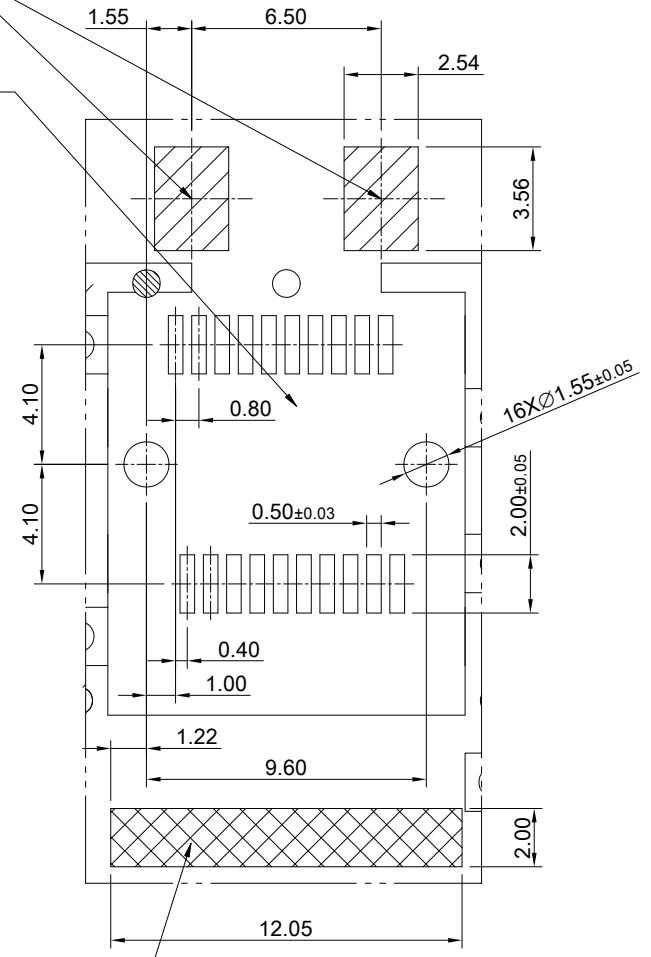
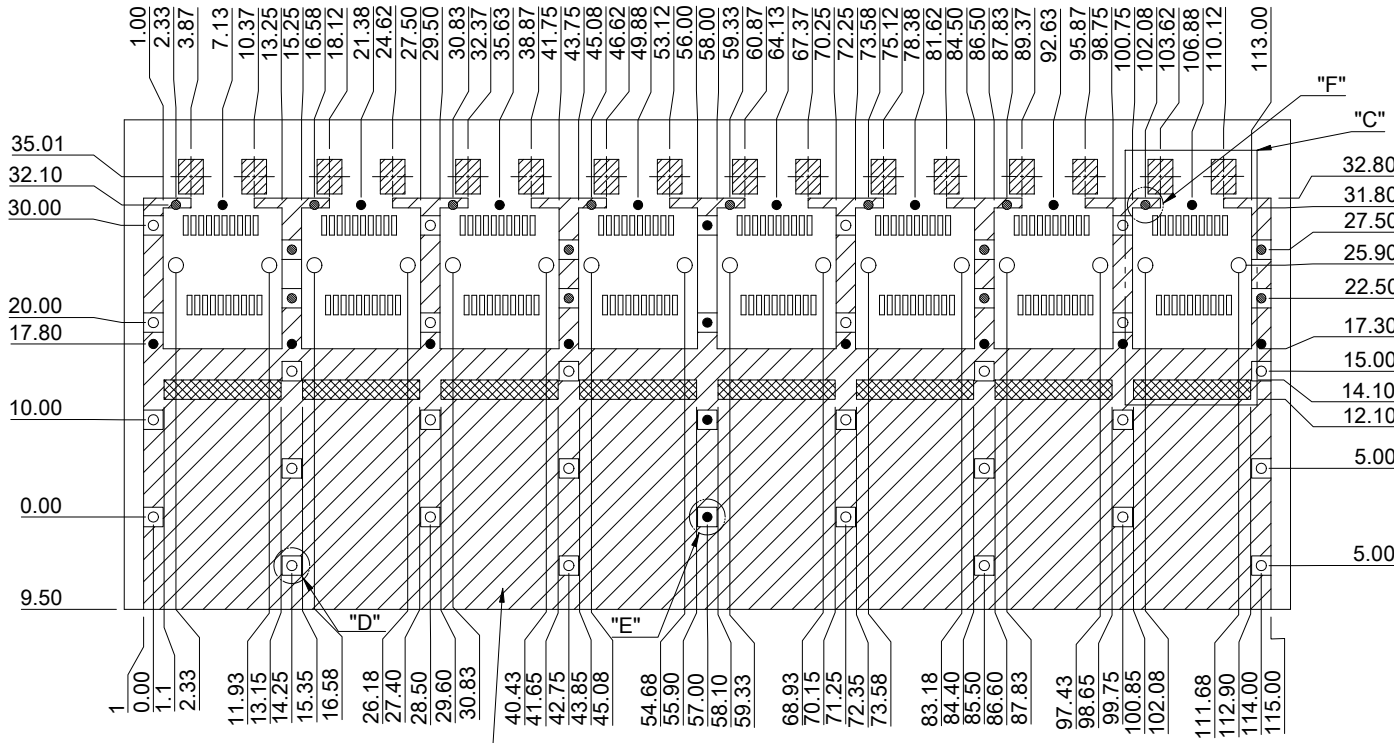


TITLE: SFP56 1X8 Cage Assembly w/ Light Pipe & Heat Sink			
DWG#: R-SH-0561X8-7-T-A1		SHEET: 2/4	REV. REF
UNIT: mm	SCALE: A4 1:1	CHECKED:	
THIRD ANGLE PROJECTION		APPROVED:	
TOLERANCE: Angle: ± 1°		DATE: 05/10/2021	
X.± 0.15 .X± 0.10 .XX± 0.05		DRAWN: Ting	

THIS PRINT IS
PRELIMINARY
UNQUALIFIED PRODUCT
CONTACT PRODUCT ENGINEERING
BEFORE USING THIS PRINT

DUAL LIGHT PIPE LED LAYOUT

THIS AREA DENOTES COMPONENT
KEEP-OUT (TRACES ALLOWED)

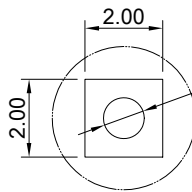


CROSS-HATCHED AREA DENOTES
COMPONENT AND TRACE KEEP-OUT
(EXCEPT CHASSIS GROUND)

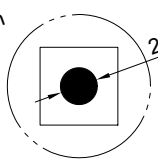
PCB LAYOUT FOR SINGLE-SIDE CONFIGURATION
TOLERANCE: ± 0.05

AREA DENOTES EXPOSED
CHASSIS GROUND X8PLC

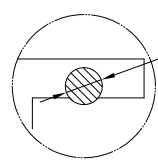
DETAIL C
SCALE 3:1



DETAIL D
SCALE 4:1



DETAIL E
SCALE 4:1



DETAIL F
SCALE 4:1

$28X \text{ } \phi 1.05 \pm 0.05$
For Press-Fit Pin

$20X \text{ } \phi 0.95 \pm 0.05$
For DIP Pin

$16X \text{ } \phi 0.95 \pm 0.05$
For Press-Fit Pin

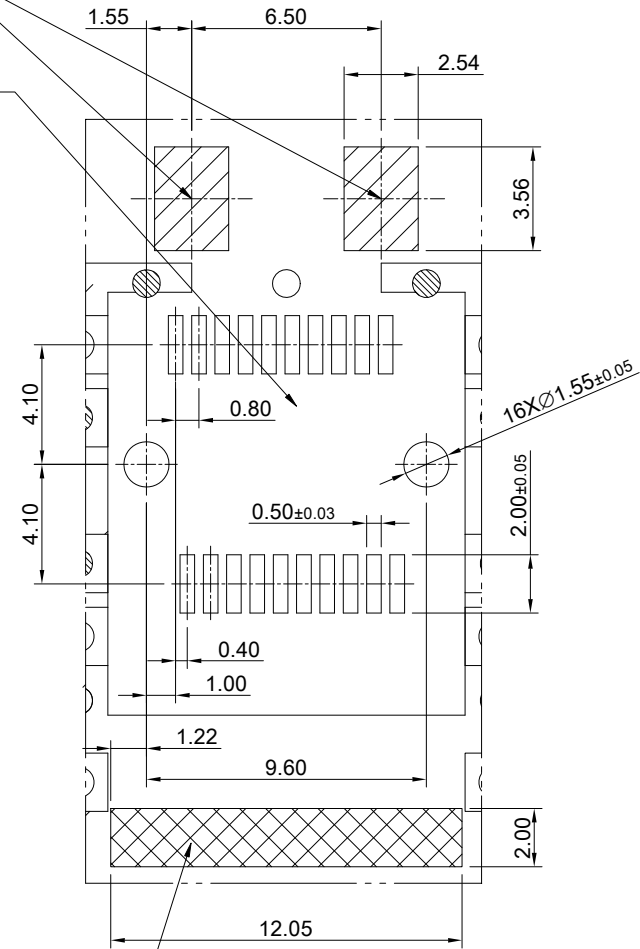
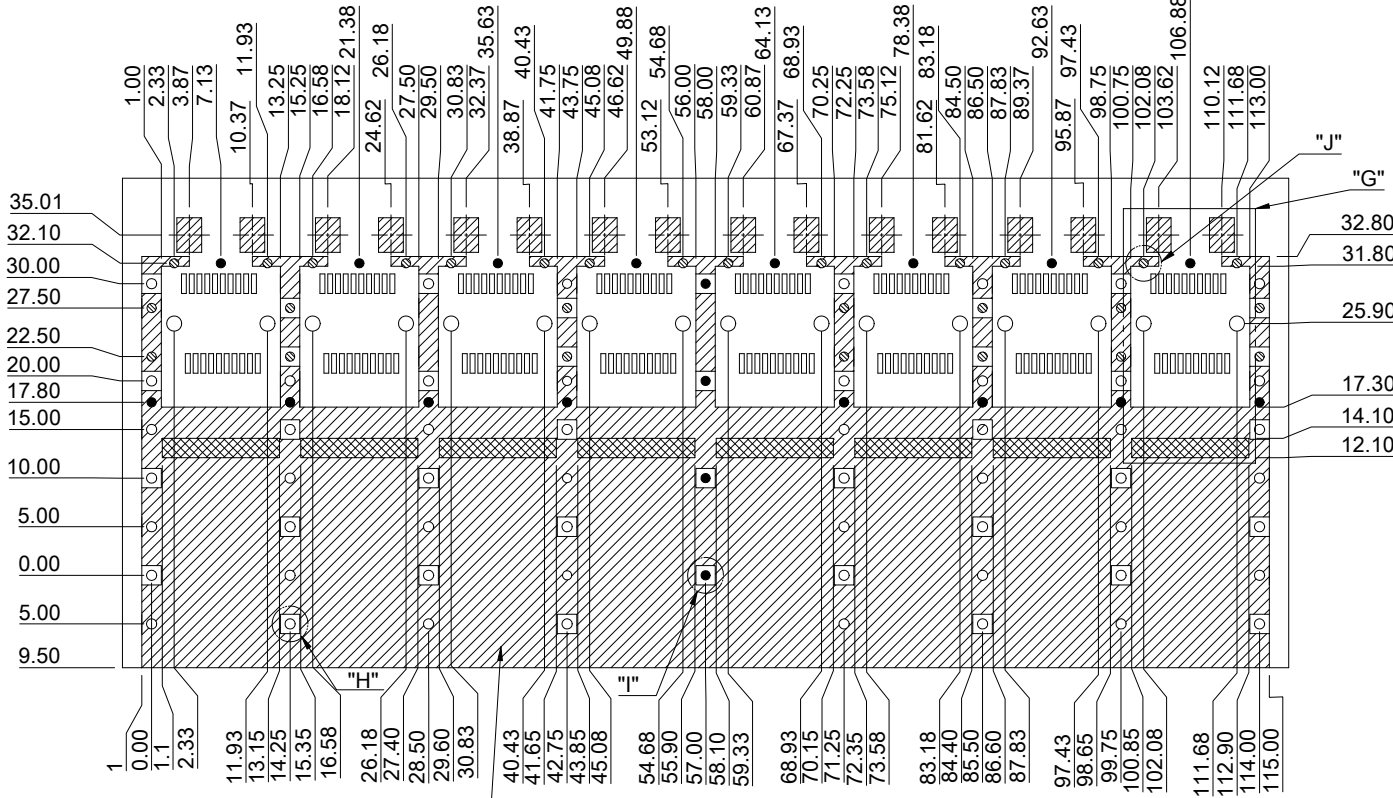


TITLE: SFP56 1X8 Cage Assembly w/ Light Pipe & Heat Sink			
DWG#: R-SH-0561X8-7-T-A1		SHEET: 3/4	REV. REF
UNIT: mm	SCALE: A4 5:4	FINISH:	CHECKED:
THIRD ANGLE PROJECTION		MATERIAL: RoHS Compliant	APPROVED:
TOLERANCE: Angle: $\pm 1^\circ$ $X \pm 0.15, X \pm 0.10, .XX \pm 0.05$		DRAWN: Ting	DATE: 05/10/2021

THIS PRINT IS
PRELIMINARY
UNQUALIFIED PRODUCT
CONTACT PRODUCT ENGINEERING
BEFORE USING THIS PRINT

DUAL LIGHT PIPE LED LAYOUT

THIS AREA DENOTES COMPONENT
KEEP-OUT (TRACES ALLOWED)

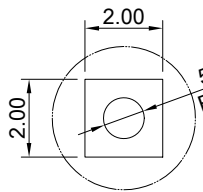


CROSS-HATCHED AREA DENOTES
COMPONENT AND TRACE KEEP-OUT
(EXCEPT CHASSIS GROUND)

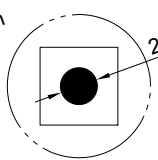
RECOMMENDED PCB LAYOUT
FOR BELLY TO BELLY MOUNTING
TOLERANCE: ±0.05

AREA DENOTES EXPOSED
CHASSIS GROUND X8PLC

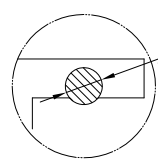
DETAIL G
SCALE 3:1



DETAIL H
SCALE 4:1



DETAIL I
SCALE 4:1



DETAIL J
SCALE 4:1



TITLE: SFP56 1X8 Cage Assembly w/ Light Pipe & Heat Sink			
DWG#: R-SH-0561X8-7-T-A1		SHEET: 4/4	REV. REF
UNIT: mm	SCALE: A4 5:4	FINISH:	CHECKED:
THIRD ANGLE PROJECTION		MATERIAL: RoHS Compliant	APPROVED:
TOLERANCE: Angle: ± 1° X ± 0.15, X ± 0.10, .XX ± 0.05		DRAWN: Ting	DATE: 05/10/2021