

MATERIAL
 CONTACTS: COPPER ALLOY
 INSULATOR: LCP THERMOPLASTIC 94V-0
 INSULATOR COLOR: DEEP GRAY

ELECTRICAL CHARACTERISTICS
 CONTACT CURRENT RATING: 0.5 AMPERE
 DIELECTRIC WITHSTANDING VOLTAGE: 300 VAC
 VOLTAGE RATING: 30 VAC
 CONTACT RESISTANCE: 35 mΩ MAX

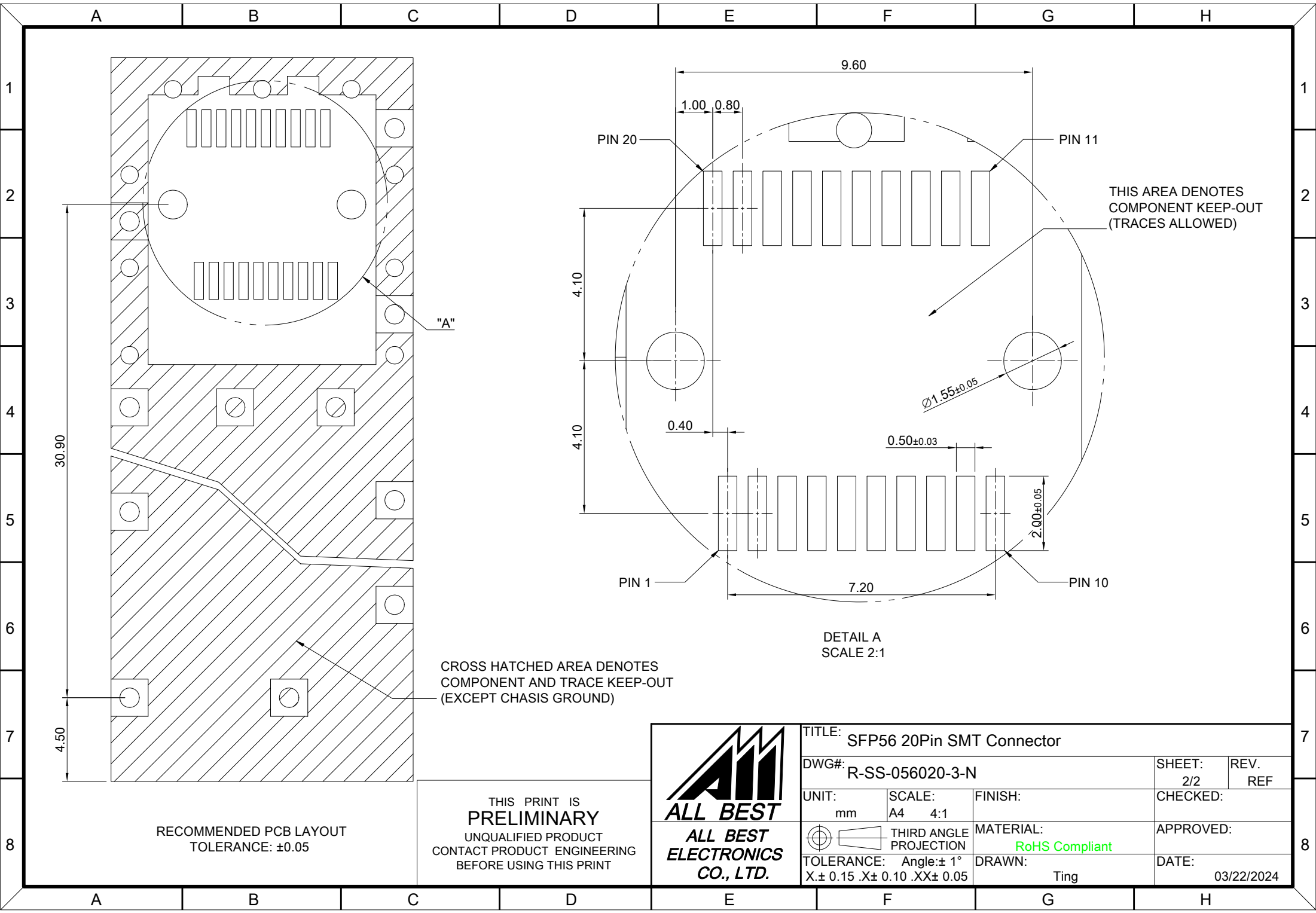
FINISH
 CONTACTS: 15 μ" MIN. GOLD ON MATING END (SIGNAL PIN)
 ALL UNDERPLATED NICKEL
 100 μ" MATTE TIN ON SOLDER FOOT AREA

ENVIRONMENT
 OPERATION TEMPERATURE: -55° C TO 85° C
 SMT TEMPERATURE: 260°C

THIS PRINT IS
PRELIMINARY
 UNQUALIFIED PRODUCT
 CONTACT PRODUCT ENGINEERING
 BEFORE USING THIS PRINT



TITLE: SFP56 20Pin SMT Connector			
DWG#: R-SS-056020-3-N		SHEET: 1/2	REV.: REF
UNIT: mm	SCALE: A4 4:1	FINISH:	CHECKED:
THIRD ANGLE PROJECTION		MATERIAL: RoHS Compliant	APPROVED:
TOLERANCE: Angle: ± 1° X ± 0.25 .X ± 0.20 .XX ± 0.15		DRAWN: Ting	DATE: 03/22/2024



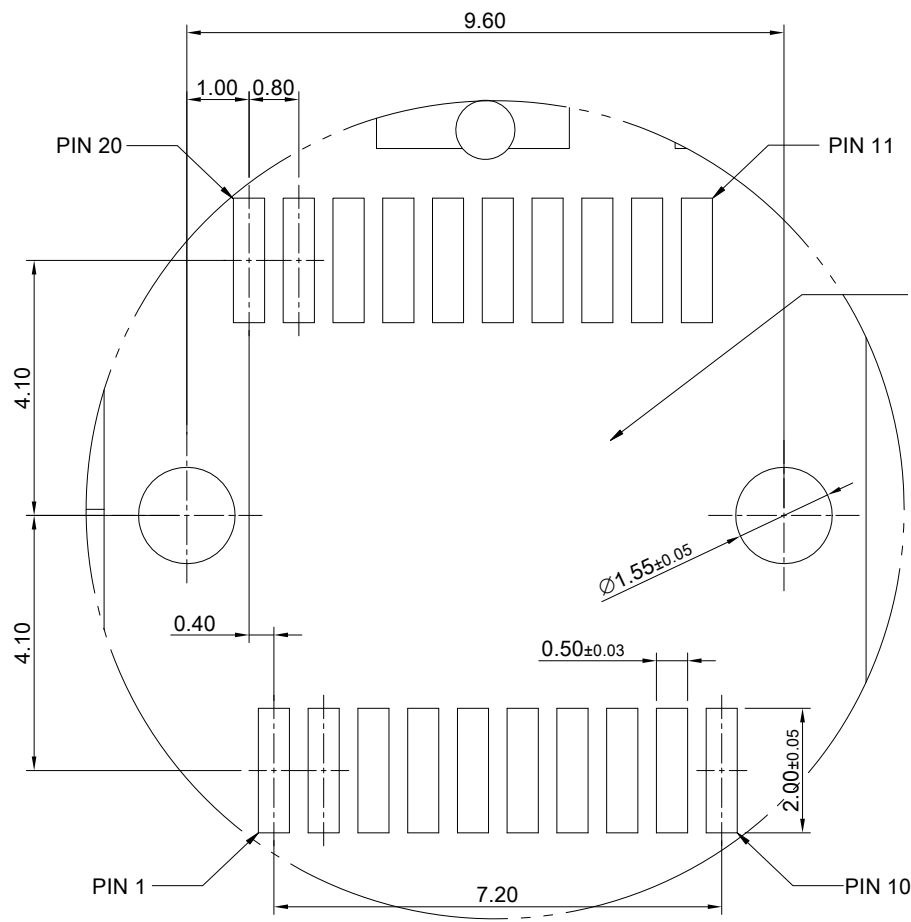
30.90
4.50

"A"

CROSS HATCHED AREA DENOTES
COMPONENT AND TRACE KEEP-OUT
(EXCEPT CHASIS GROUND)

RECOMMENDED PCB LAYOUT
TOLERANCE: ±0.05

THIS PRINT IS
PRELIMINARY
UNQUALIFIED PRODUCT
CONTACT PRODUCT ENGINEERING
BEFORE USING THIS PRINT



THIS AREA DENOTES
COMPONENT KEEP-OUT
(TRACES ALLOWED)

DETAIL A
SCALE 2:1



TITLE: SFP56 20Pin SMT Connector			
DWG#: R-SS-056020-3-N		SHEET: 2/2	REV. REF
UNIT: mm	SCALE: A4 4:1	FINISH:	CHECKED:
THIRD ANGLE PROJECTION		MATERIAL: RoHS Compliant	APPROVED:
TOLERANCE: Angle: ± 1° X ± 0.15 .X ± 0.10 .XX ± 0.05		DRAWN: Ting	DATE: 03/22/2024