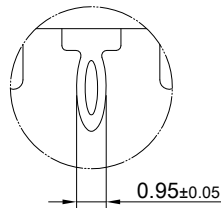
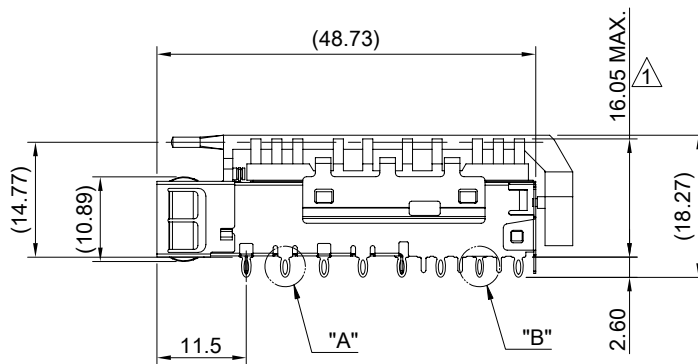
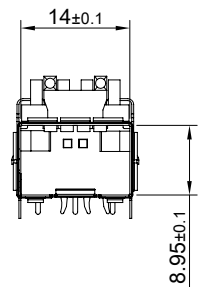
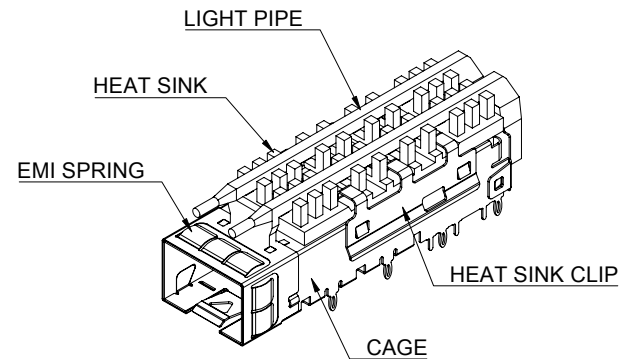


DETAIL A
SCALE 4:1



DETAIL B
SCALE 4:1



MATERIAL
 CAGE: NICKEL SILVER
 EMI SPRING: STAINLESS STEEL
 HEAT SINK: ALUMINUM
 HEAT SINK CLIP: STAINLESS STEEL
 LIGHT PIPE: PC

FINISH
 HEAT SINK: ANODE PROCESS

NOTE
 ▲ DIMENSION APPLIES WITH MODULE INSERTED IN CAGE



TITLE: SFP28 1X1 Cage Assembly w/ SAN Heat Sink & Light Pipe

DWG#: R-SH-009020-7-T-A2

SHEET: 1/3
 REV. B

UNIT: mm
 SCALE: A4 1:1

FINISH: CHECKED:

THIRD ANGLE PROJECTION

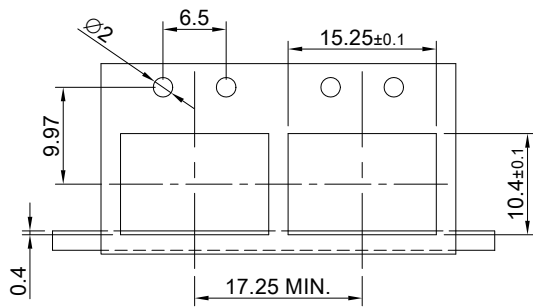
MATERIAL: RoHS Compliant

APPROVED: Gary Kang

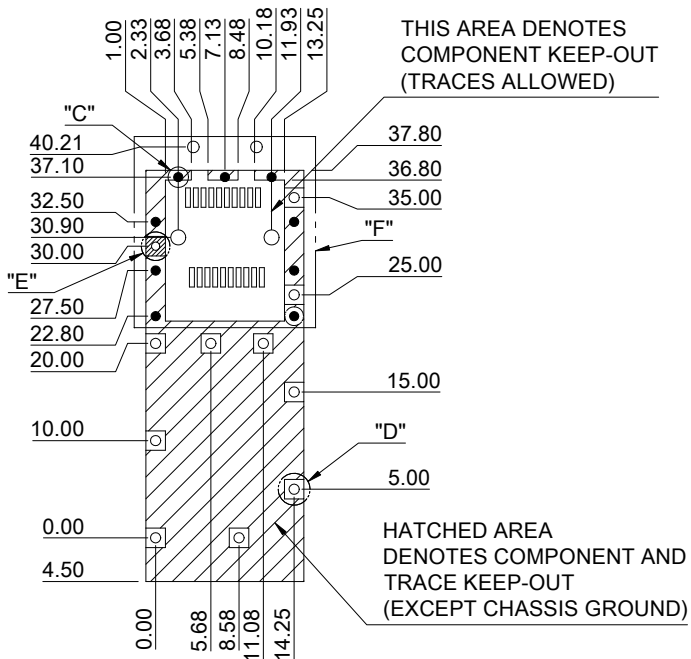
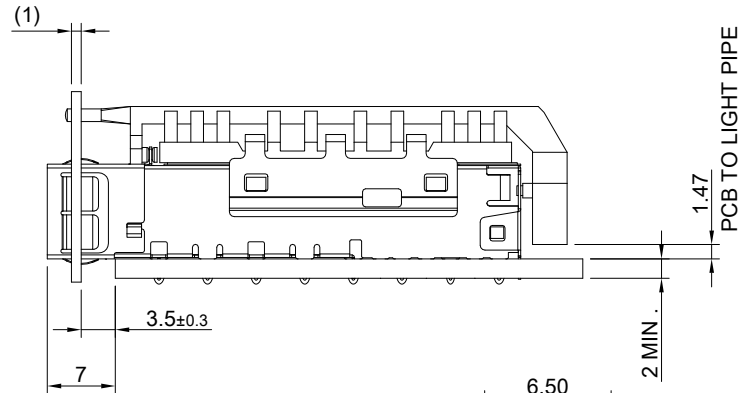
TOLERANCE: Angle: ± 1°
 X.± 0.25 .X± 0.20 .XX± 0.15

DRAWN: Jun

APPROVED: George Yang
 DATE: 12/25/2019



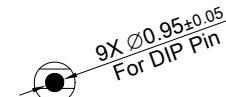
RECOMMENDED BEZEL CUT-OUT
SINGLE SIDED APPLICATIONS



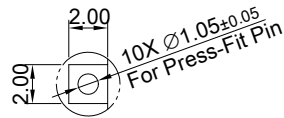
THIS AREA DENOTES
COMPONENT KEEP-OUT
(TRACES ALLOWED)

HATCHED AREA
DENOTES COMPONENT AND
TRACE KEEP-OUT
(EXCEPT CHASSIS GROUND)

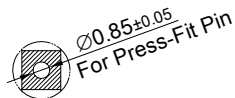
RECOMMENDED PCB LAYOUT
TOLERANCE: ±0.05



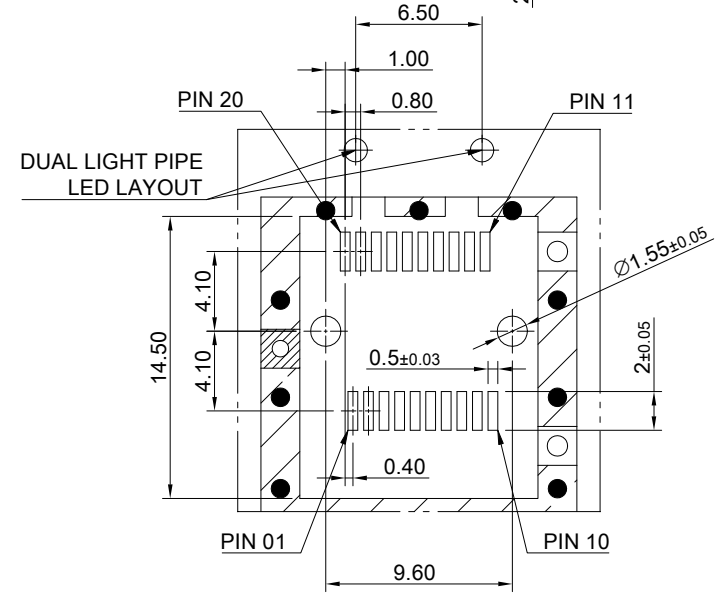
DETAIL C
SCALE 2:1




DETAIL D
SCALE 2:1

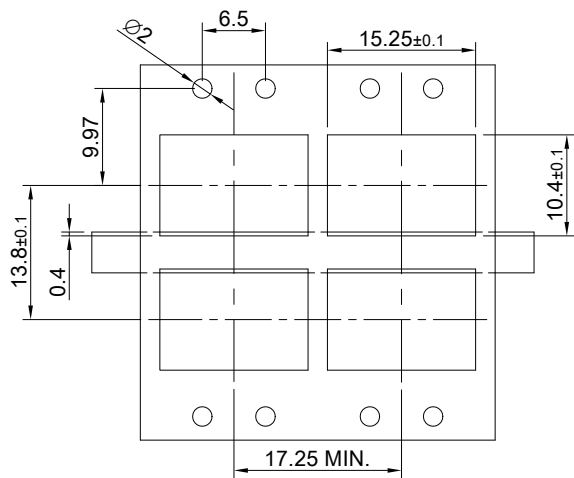


DETAIL E
SCALE 2:1

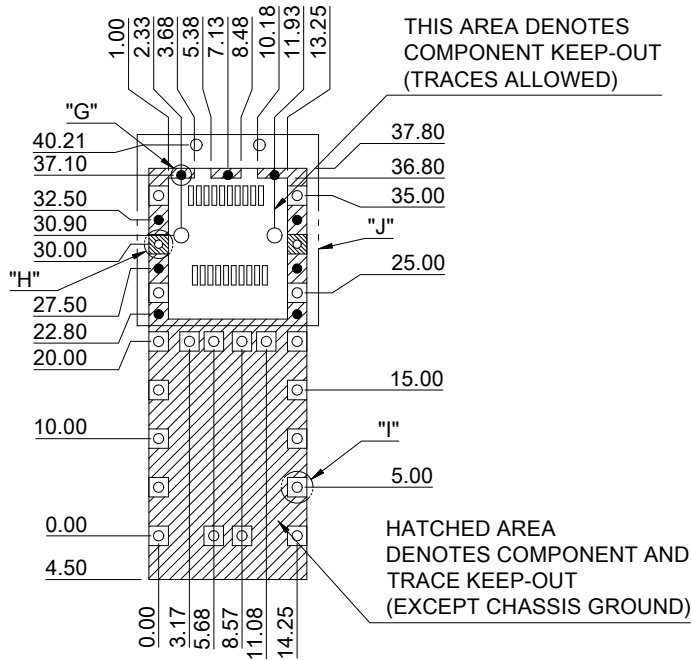


DETAIL F
SCALE 2:1

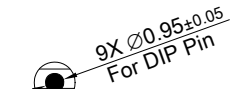
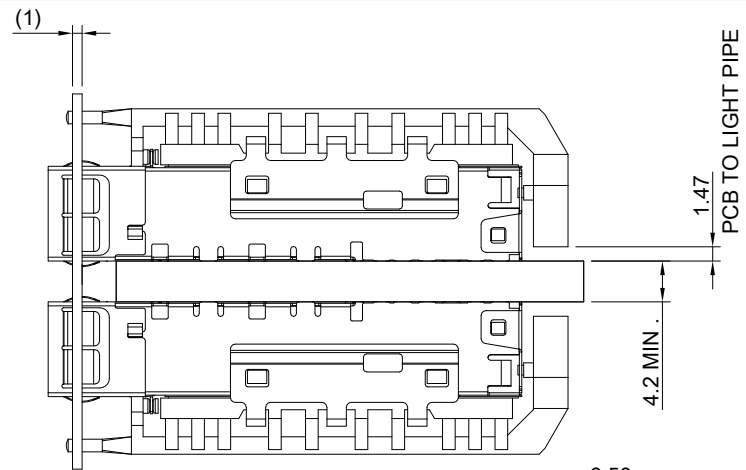
 ALL BEST ELECTRONICS CO., LTD.	TITLE: SFP28 1X1 Cage Assembly w/ SAN Heat Sink & Light Pipe			SHEET: 2/3		REV. B	
	DWG#: R-SH-009020-7-T-A2			CHECKED: Gary Kang		APPROVED: George Yang	
	UNIT: mm	SCALE: A4 5:4	FINISH:	MATERIAL: RoHS Compliant		DATE: 12/25/2019	
	TOLERANCE: X±0.15 .X±0.10 .XX±0.05		THIRD ANGLE PROJECTION	DRAWN: Jun			



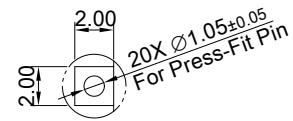
RECOMMENDED BEZEL CUT-OUT
BELLY TO BELLY APPLICATIONS



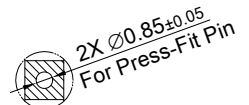
RECOMMENDED PCB LAYOUT
FOR BELLY TO BELLY MOUNTING
TOLERANCE: ±0.05



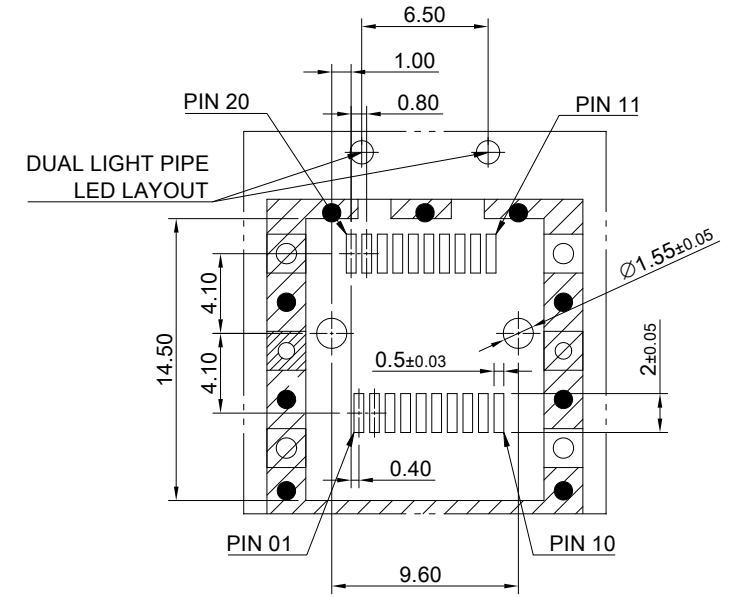
DETAIL G
SCALE 2:1



DETAIL H
SCALE 2:1



DETAIL I
SCALE 2:1



DETAIL J
SCALE 2:1

<p>ALL BEST ELECTRONICS CO., LTD.</p>	TITLE: SFP28 1X1 Cage Assembly w/ SAN Heat Sink & Light Pipe		SHEET: 3/3		REV. B
	DWG#: R-SH-009020-7-T-A2		CHECKED: Gary Kang		APPROVED: George Yang
	UNIT: mm	SCALE: A4 5:4	FINISH:	MATERIAL: RoHS Compliant	
	TOLERANCE: Angle: ±1° X: ±0.15 .X: ±0.10 .XX: ±0.05		DRAWN: Jun	DATE: 12/25/2019	