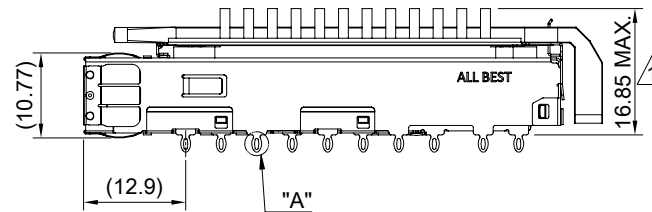
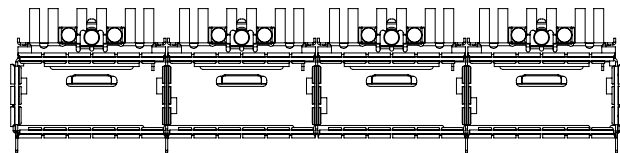


MATERIAL  
 CAGE: NICKEL SILVER  
 HEAT SINK: ALUMINUM  
 HEAT SINK CLIP: STAINLESS STEEL  
 EMI SPRING: STAINLESS STEEL  
 LIGHT PIPE: PC

FINISH  
 HEAT SINK: ANODE PROCESS

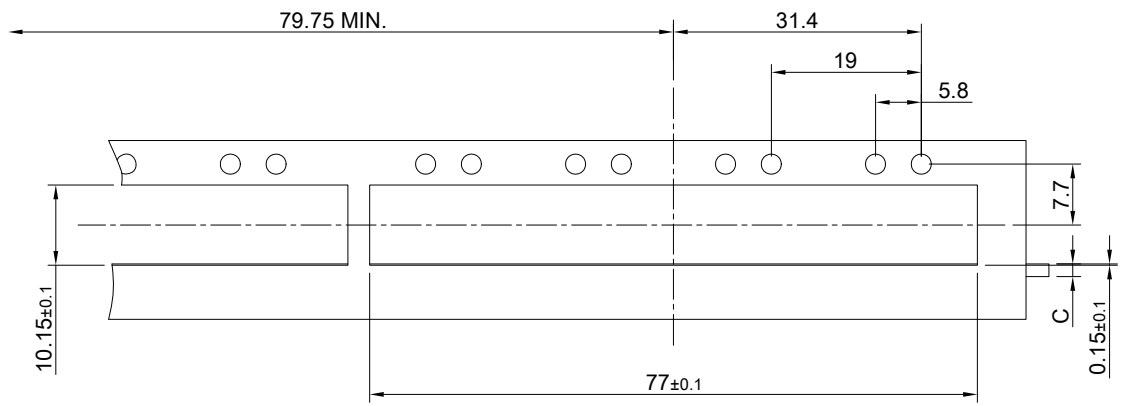
NOTE  
 1 DIMENSION APPLIES WITH MODULE INSERTED IN CAGE



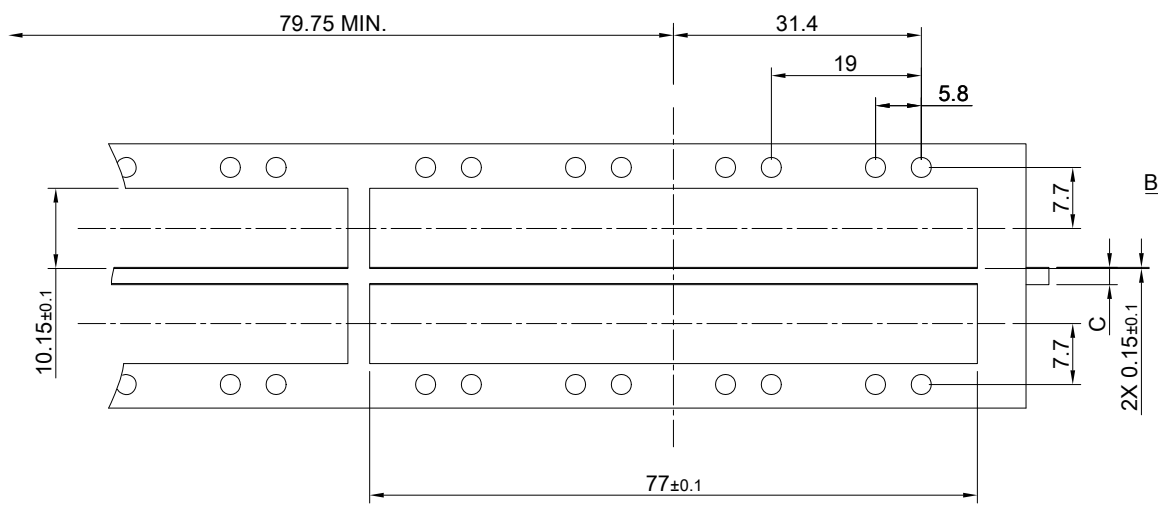
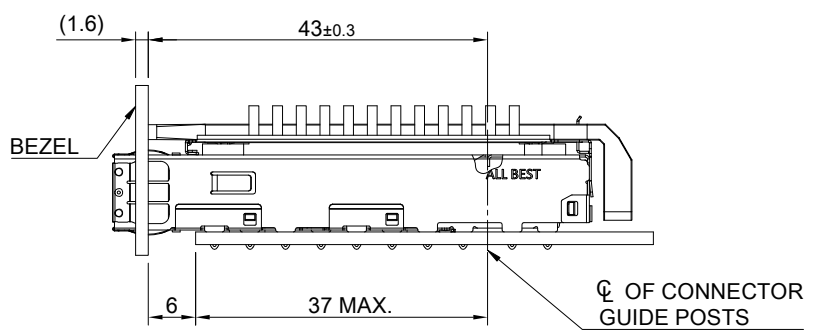
THIS PRINT IS  
**PRELIMINARY**  
 UNQUALIFIED PRODUCT  
 CONTACT PRODUCT ENGINEERING  
 BEFORE USING THIS PRINT



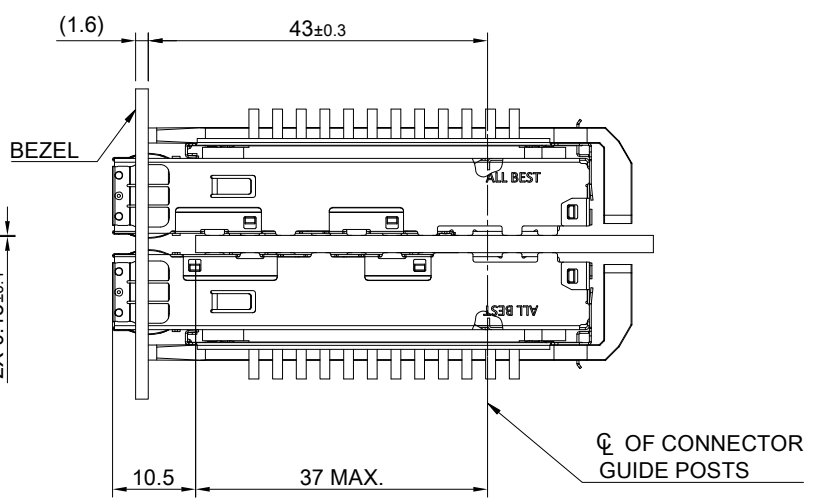
TITLE: QSFP56 1X4 Cage Assembly w/ Light Pipe & SAN Heat Sink			SHEET: 1/4	REV. REF
DWG#: R-OR-DZQ4-4CME4-MK			CHECKED:	
UNIT: mm	SCALE: A4 1:1	FINISH:		APPROVED:
TOLERANCE: Angle: ± 1° X ± 0.25 .X ± 0.20 .XX ± 0.15		MATERIAL: RoHS Compliant		DATE: 3/14/2024
THIRD ANGLE PROJECTION		DRAWN: Pohsiung		



SINGLE-SIDE CONFIGURATION




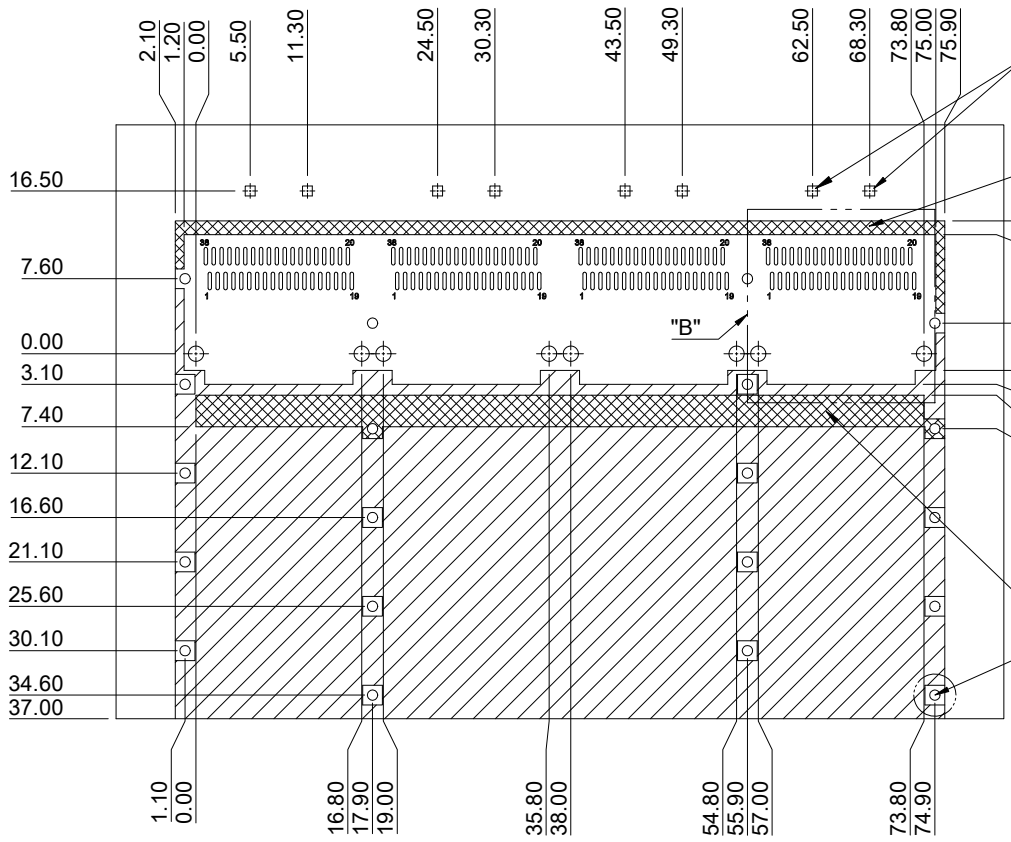
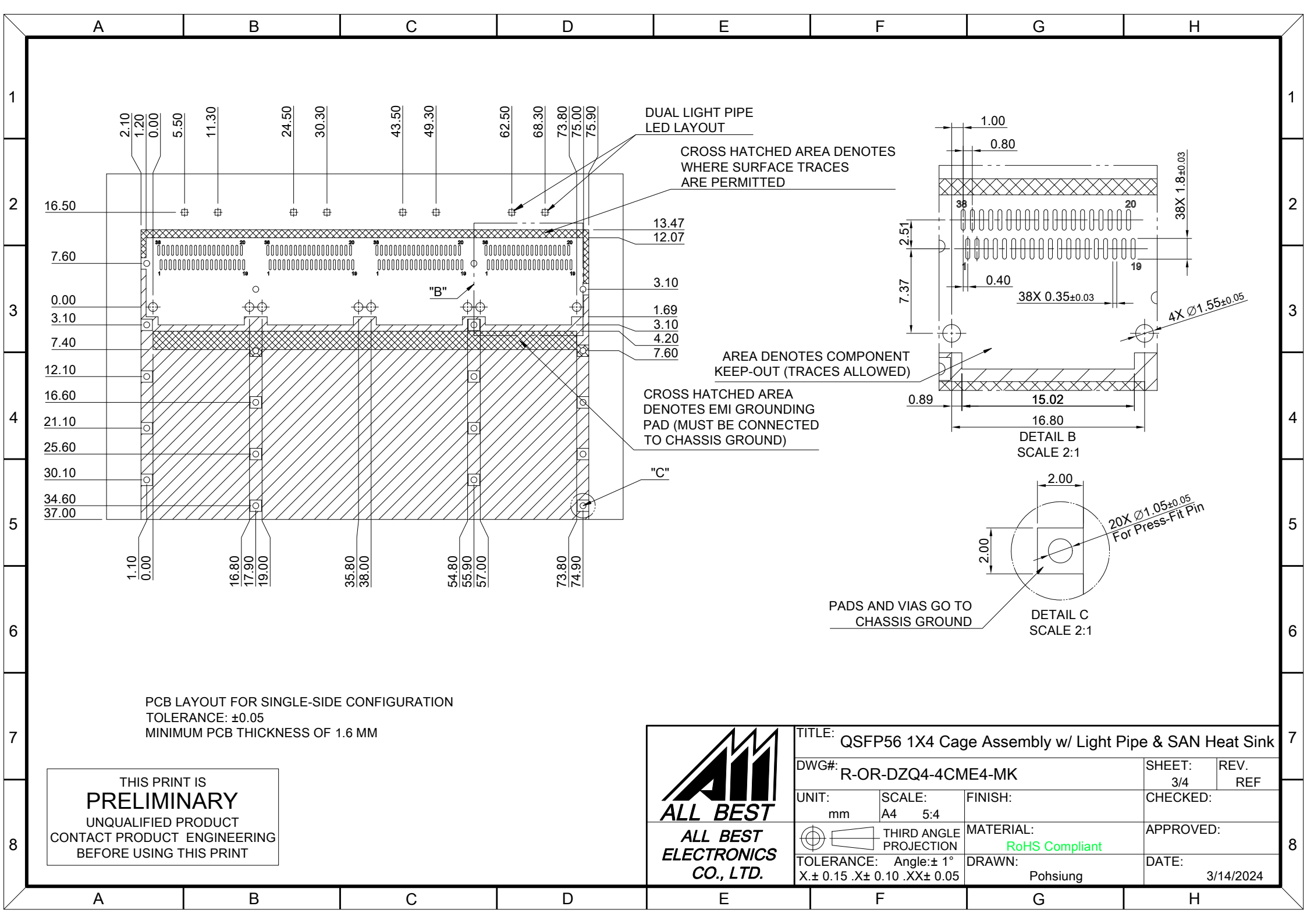
BELLY TO BELLY CONFIGURATION



C = THICKNESS OF PC BOARD  
 SINGLE-SIDE = 1.6MM (MIN.)  
 BELLY TO BELLY = 2.2MM (MIN.)

THIS PRINT IS  
**PRELIMINARY**  
 UNQUALIFIED PRODUCT  
 CONTACT PRODUCT ENGINEERING  
 BEFORE USING THIS PRINT

 <b>ALL BEST</b> <b>ELECTRONICS</b> <b>CO., LTD.</b>	TITLE: QSFP56 1X4 Cage Assembly w/ Light Pipe & SAN Heat Sink		SHEET: 2/4	REV. REF
	DWG#: R-OR-DZQ4-4CME4-MK		CHECKED:	
UNIT: mm	SCALE: A4 1:1	FINISH:	APPROVED:	
TOLERANCE: Angle: ± 1° X ± 0.15 .X ± 0.10 .XX ± 0.05		MATERIAL: RoHS Compliant	DATE: 3/14/2024	
THIRD ANGLE PROJECTION		DRAWN: Pohsiung		

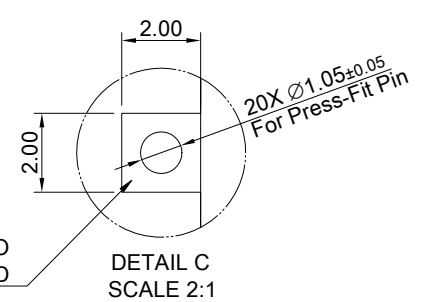
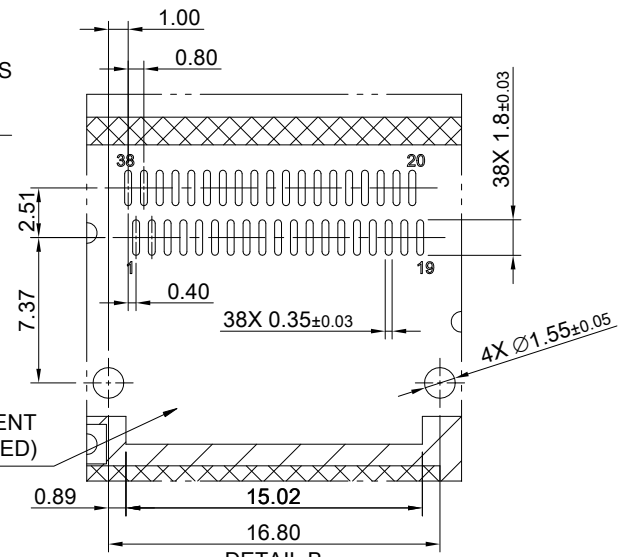


DUAL LIGHT PIPE LED LAYOUT

CROSS HATCHED AREA DENOTES WHERE SURFACE TRACES ARE PERMITTED

AREA DENOTES COMPONENT KEEP-OUT (TRACES ALLOWED)

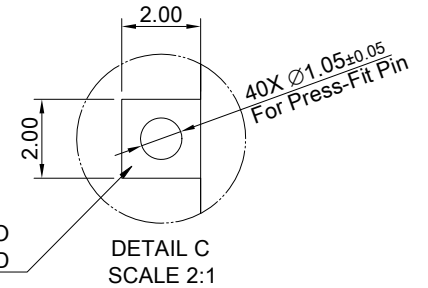
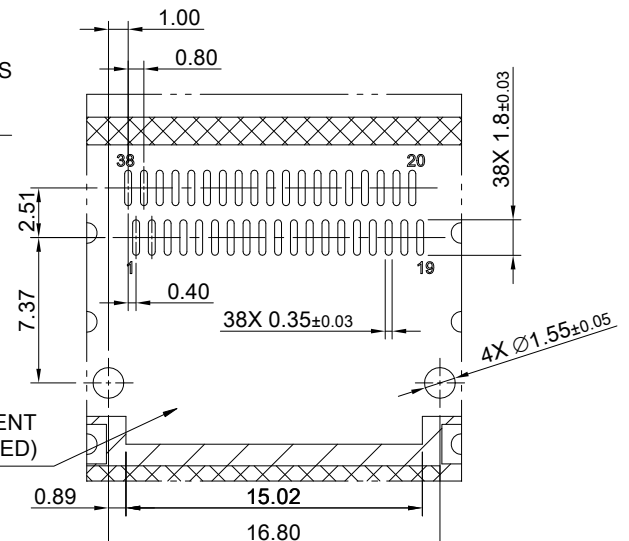
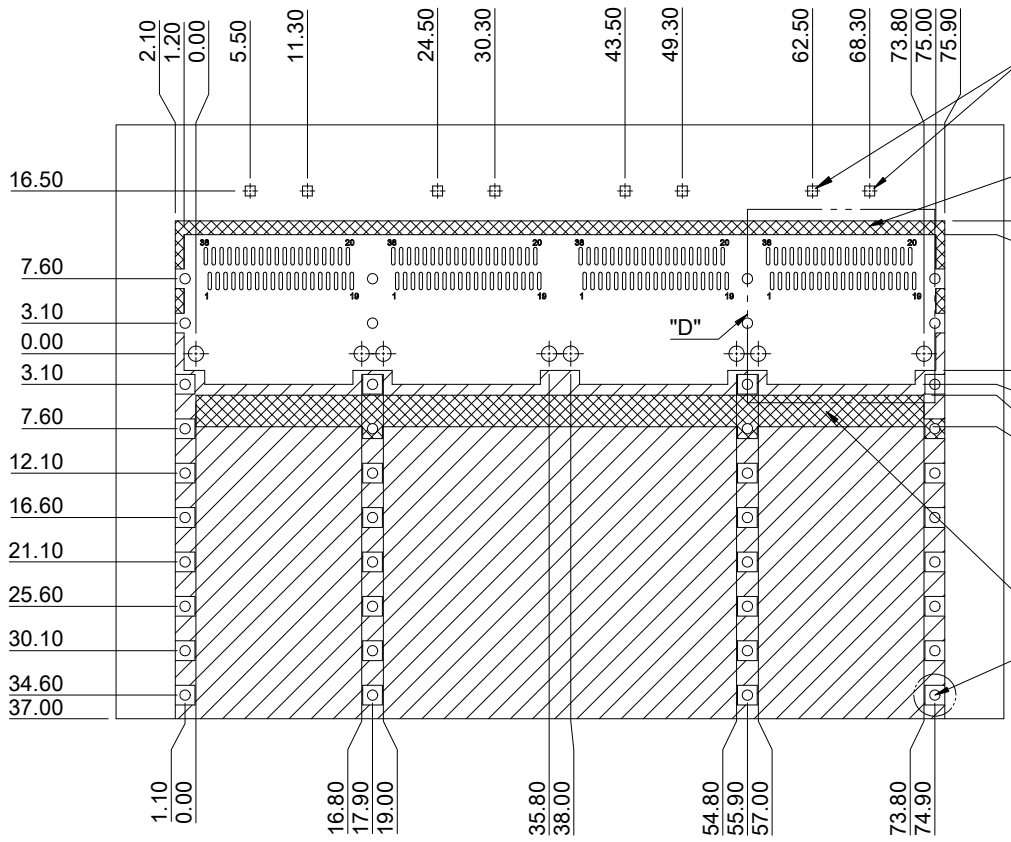
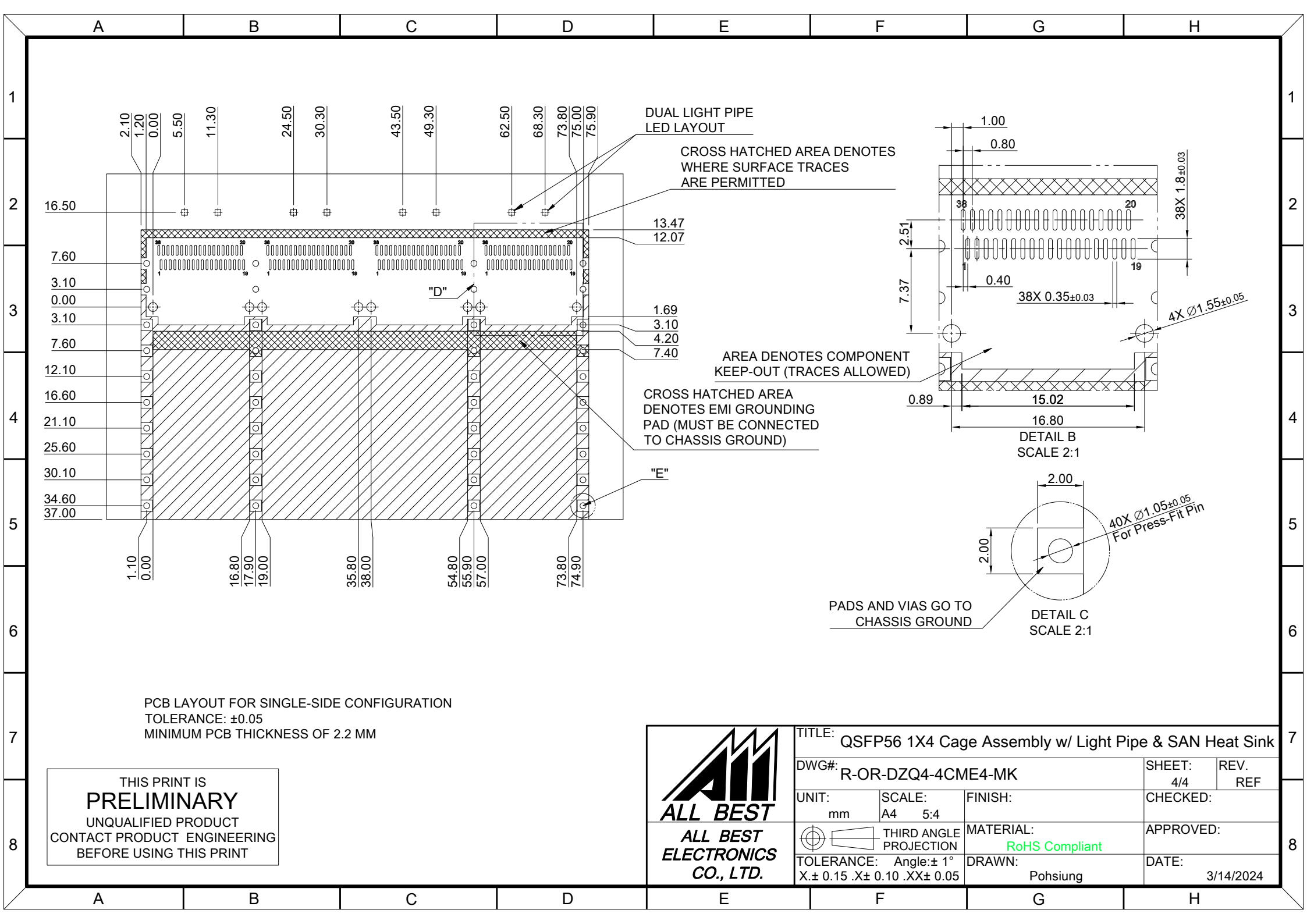
CROSS HATCHED AREA DENOTES EMI GROUNDING PAD (MUST BE CONNECTED TO CHASSIS GROUND)



PCB LAYOUT FOR SINGLE-SIDE CONFIGURATION  
 TOLERANCE: ±0.05  
 MINIMUM PCB THICKNESS OF 1.6 MM



THIS PRINT IS  
**PRELIMINARY**  
 UNQUALIFIED PRODUCT  
 CONTACT PRODUCT ENGINEERING  
 BEFORE USING THIS PRINT

		TITLE: QSFP56 1X4 Cage Assembly w/ Light Pipe & SAN Heat Sink	
		DWG#: R-OR-DZQ4-4CME4-MK	
UNIT: mm	SCALE: A4 5:4	FINISH:	SHEET: 3/4
 THIRD ANGLE PROJECTION		MATERIAL: RoHS Compliant	REV. REF
TOLERANCE: Angle: ± 1° X.± 0.15 .X± 0.10 .XX± 0.05		DRAWN: Pohsiung	CHECKED:
		APPROVED:	DATE: 3/14/2024



PCB LAYOUT FOR SINGLE-SIDE CONFIGURATION  
 TOLERANCE: ±0.05  
 MINIMUM PCB THICKNESS OF 2.2 MM

THIS PRINT IS  
**PRELIMINARY**  
 UNQUALIFIED PRODUCT  
 CONTACT PRODUCT ENGINEERING  
 BEFORE USING THIS PRINT

 <b>ALL BEST</b> <b>ELECTRONICS</b> <b>CO., LTD.</b>		<b>TITLE:</b> QSFP56 1X4 Cage Assembly w/ Light Pipe & SAN Heat Sink	
		<b>DWG#:</b> R-OR-DZQ4-4CME4-MK	<b>SHEET:</b> 4/4 <b>REV:</b> REF
<b>UNIT:</b> mm	<b>SCALE:</b> A4 5:4	<b>FINISH:</b>	<b>CHECKED:</b>
 <b>THIRD ANGLE PROJECTION</b>	<b>TOLERANCE:</b> Angle: ± 1° X.± 0.15 .X± 0.10 .XX± 0.05	<b>MATERIAL:</b> RoHS Compliant	<b>APPROVED:</b>
		<b>DRAWN:</b> Pohsiung	<b>DATE:</b> 3/14/2024