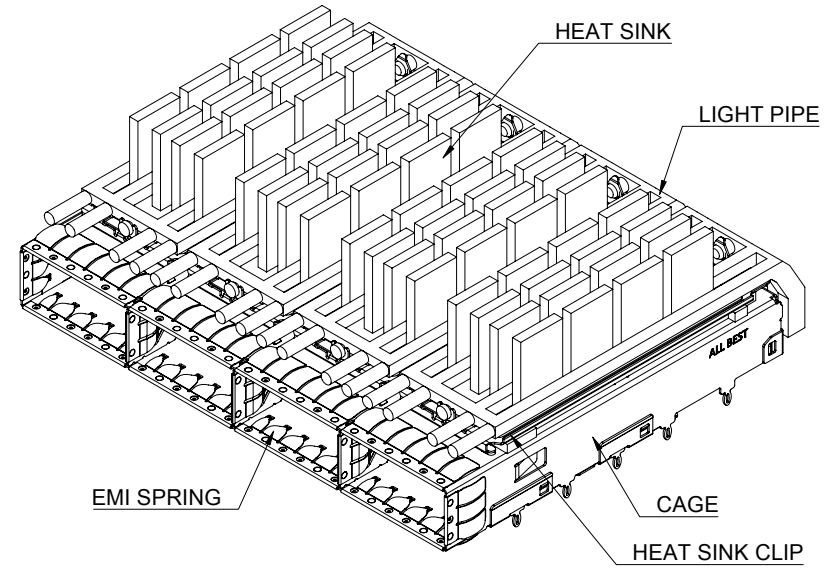
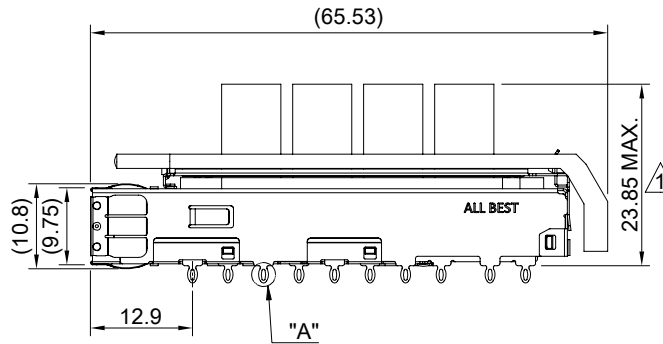
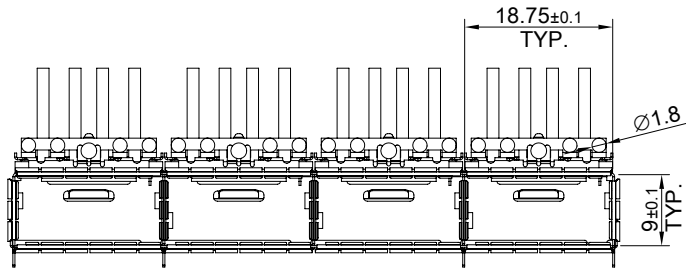


DETAIL A
SCALE 4:1



MATERIAL
 CAGE: NICKEL SILVER
 HEAT SINK: ALUMINUM
 HEAT SINK CLIP: STAINLESS STEEL
 EMI SPRING: STAINLESS STEEL
 LIGHT PIPE: PC

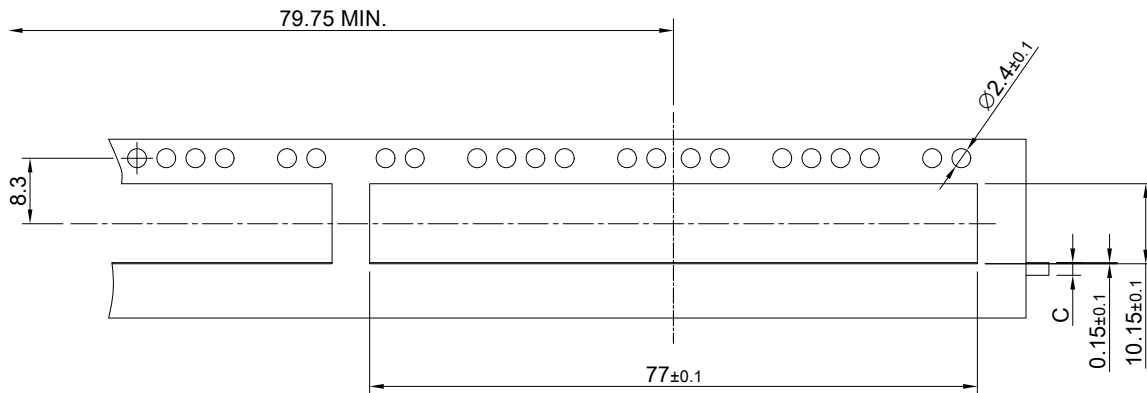
FINISH
 HEAT SINK: ANODE PROCESS

NOTE
 1 DIMENSION APPLIES WITH MODULE INSERTED IN CAGE

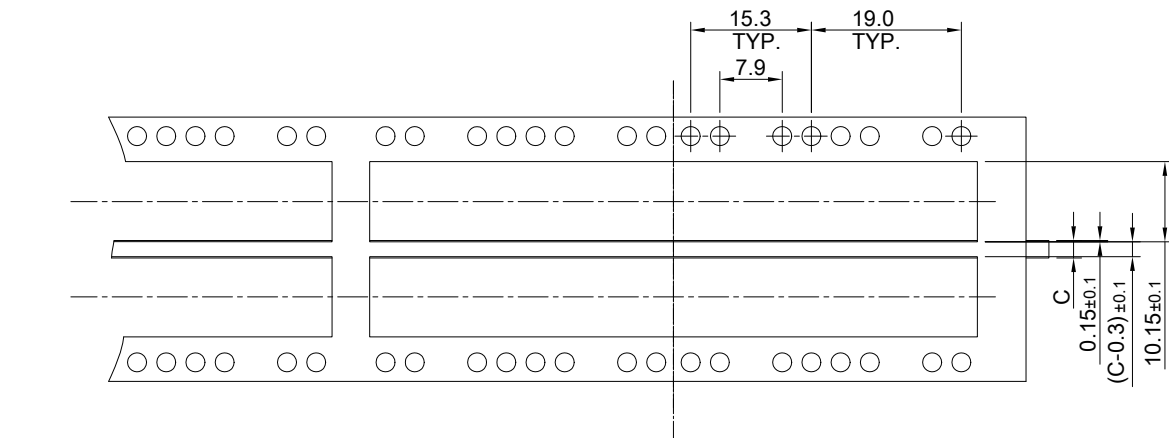
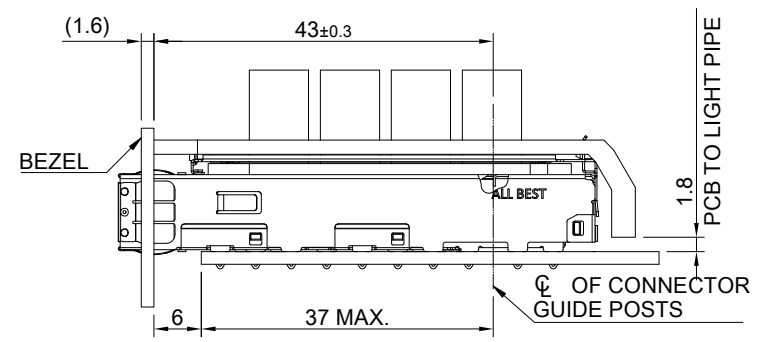
THIS PRINT IS
PRELIMINARY
 UNQUALIFIED PRODUCT
 CONTACT PRODUCT ENGINEERING
 BEFORE USING THIS PRINT



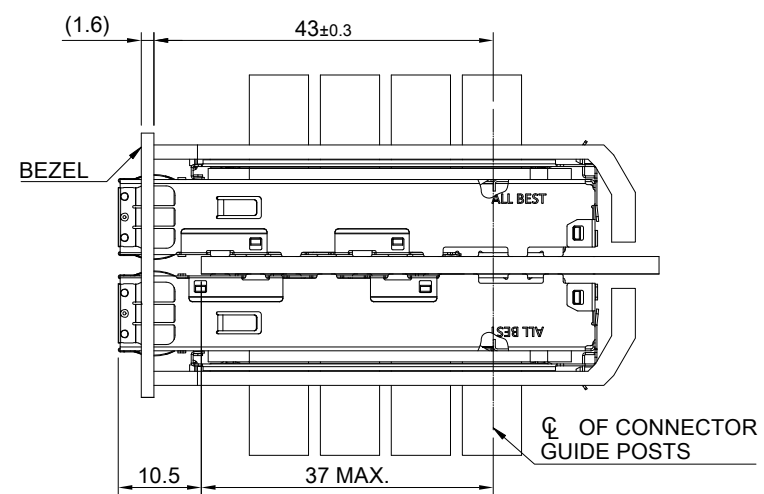
TITLE: QSFP56 1X4 Cage Assembly w/ Light Pipe & NET Heat Sink			SHEET: 1/4	REV. REF
DWG#: R-OR-DZQ4-4CMEE-MK			CHECKED:	
UNIT: mm	SCALE: A4 1:1	FINISH:		APPROVED:
TOLERANCE: Angle: ± 1° X ± 0.25 .X ± 0.20 .XX ± 0.15		MATERIAL: RoHS Compliant	DATE: 3/14/2024	
THIRD ANGLE PROJECTION		DRAWN: Pohsiung		



SINGLE-SIDE CONFIGURATION



BELLY TO BELLY CONFIGURATION

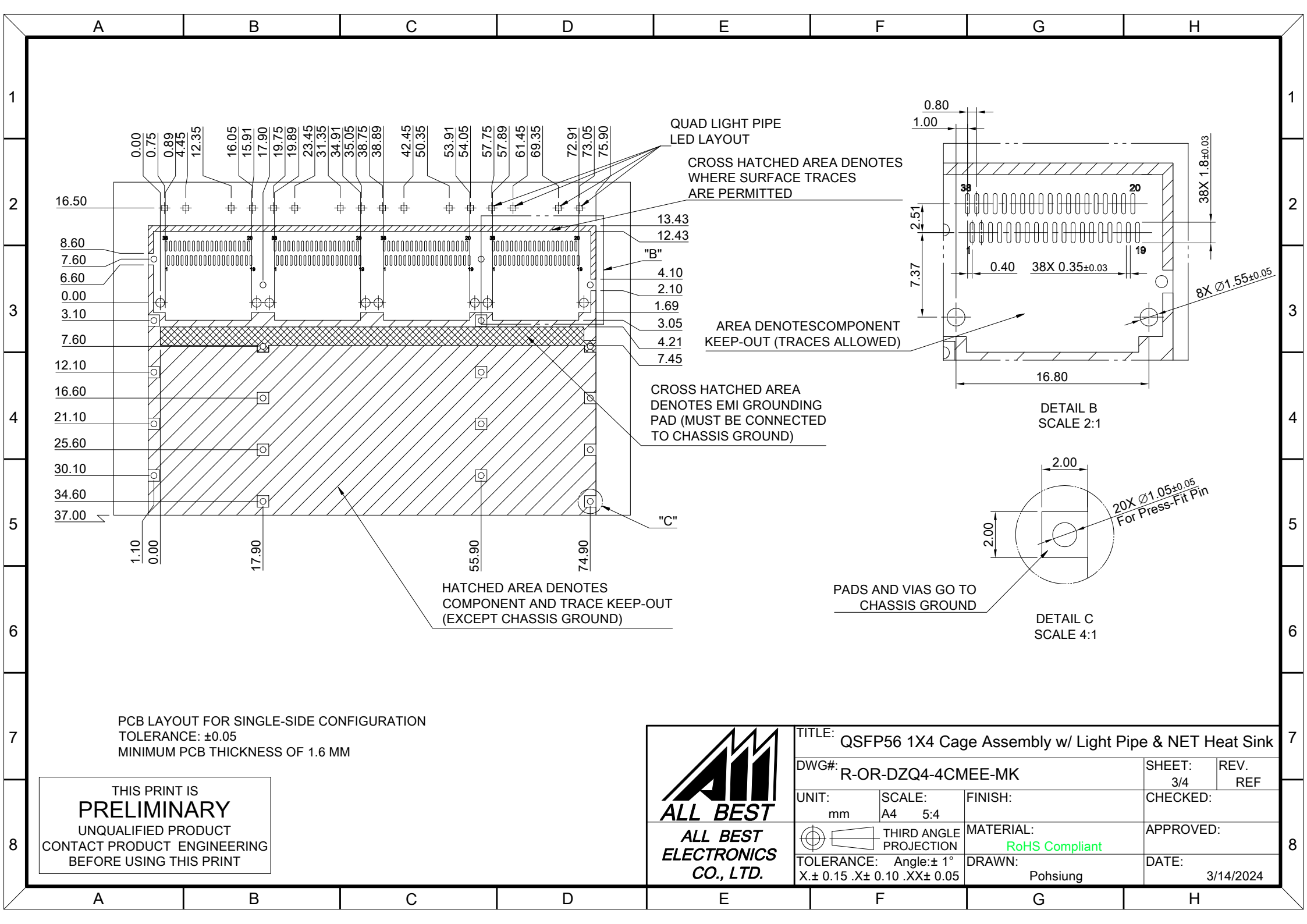


C = THICKNESS OF PC BOARD
 SINGLE-SIDE = 1.6MM (MIN.)
 BELLY TO BELLY = 2.2MM (MIN.)

THIS PRINT IS
PRELIMINARY
 UNQUALIFIED PRODUCT
 CONTACT PRODUCT ENGINEERING
 BEFORE USING THIS PRINT





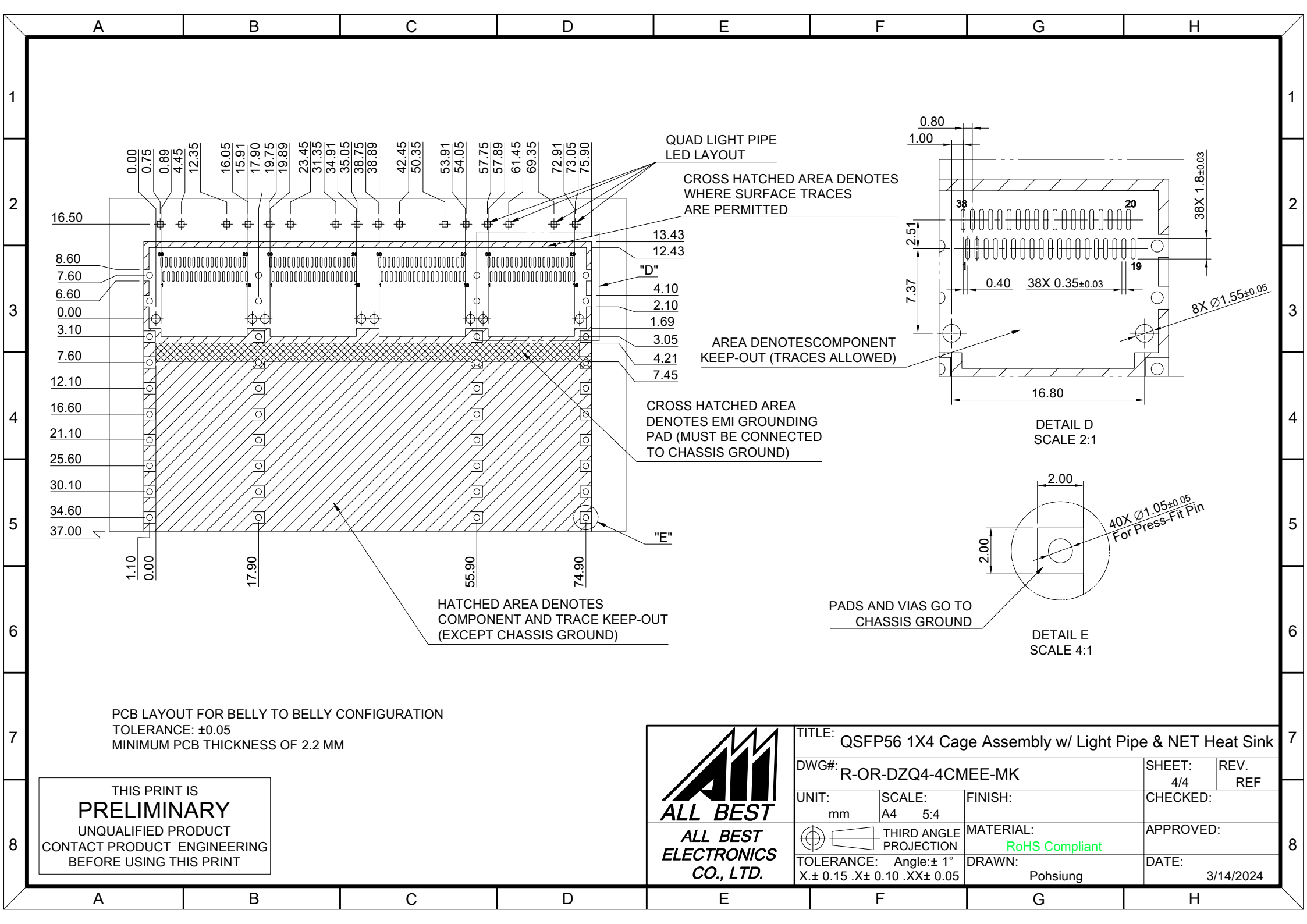
TITLE: QSFP56 1X4 Cage Assembly w/ Light Pipe & NET Heat Sink			SHEET: 2/4	REV. REF
DWG#: R-OR-DZQ4-4CMEE-MK			CHECKED:	
UNIT: mm	SCALE: A4 1:1	FINISH:		APPROVED:
TOLERANCE: Angle: ± 1° X ± 0.15 .X ± 0.10 .XX ± 0.05		MATERIAL: RoHS Compliant		DATE: 3/14/2024
THIRD ANGLE PROJECTION		DRAWN: Pohsiung		



PCB LAYOUT FOR SINGLE-SIDE CONFIGURATION
 TOLERANCE: ±0.05
 MINIMUM PCB THICKNESS OF 1.6 MM

THIS PRINT IS
PRELIMINARY
 UNQUALIFIED PRODUCT
 CONTACT PRODUCT ENGINEERING
 BEFORE USING THIS PRINT

 ALL BEST ELECTRONICS CO., LTD.	TITLE: QSFP56 1X4 Cage Assembly w/ Light Pipe & NET Heat Sink		SHEET: 3/4		REV. REF	
	DWG#: R-OR-DZQ4-4CMEE-MK			CHECKED:		APPROVED:
UNIT: mm	SCALE: A4 5:4	FINISH:		DATE: 3/14/2024		DRAWN: Pohsiung
TOLERANCE: Angle: ± 1° X. ± 0.15 .X ± 0.10 .XX ± 0.05		 THIRD ANGLE PROJECTION	MATERIAL: RoHS Compliant		APPROVED:	



THIS PRINT IS
PRELIMINARY
 UNQUALIFIED PRODUCT
 CONTACT PRODUCT ENGINEERING
 BEFORE USING THIS PRINT



TITLE: QSFP56 1X4 Cage Assembly w/ Light Pipe & NET Heat Sink			
DWG#: R-OR-DZQ4-4CMEE-MK		SHEET: 4/4	REV. REF
UNIT: mm	SCALE: A4 5:4	FINISH:	
TOLERANCE: Angle: $\pm 1^\circ$ X: ± 0.15 .X: ± 0.10 .XX: ± 0.05		MATERIAL: RoHS Compliant	APPROVED:
THIRD ANGLE PROJECTION		DRAWN: Pohsiung	DATE: 3/14/2024
CHECKED:		APPROVED:	