

MATERIAL  
 CAGE: NICKEL SILVER  
 HEAT SINK: ALUMINUM  
 HEAT SINK CLIP: STAINLESS STEEL  
 EMI SPRING: STAINLESS STEEL  
 LIGHT PIPE: PC

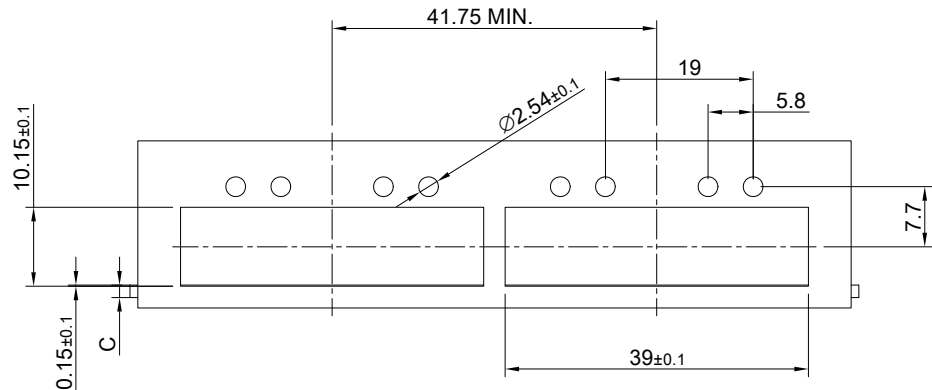
FINISH  
 HEAT SINK: ANODE PROCESS

NOTE  
 ▲ DIMENSION APPLIES WITH MODULE INSERTED IN CAGE

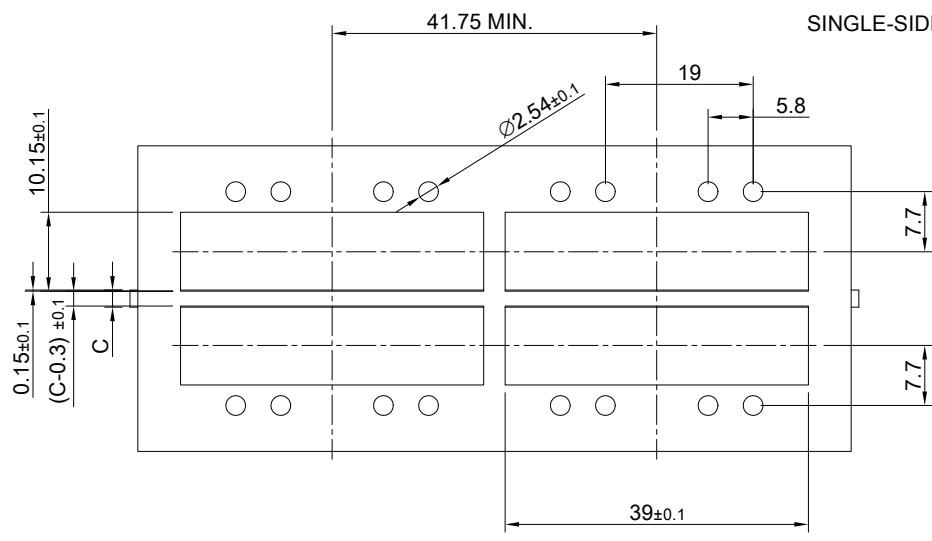
THIS PRINT IS  
**PRELIMINARY**  
 UNQUALIFIED PRODUCT  
 CONTACT PRODUCT ENGINEERING  
 BEFORE USING THIS PRINT



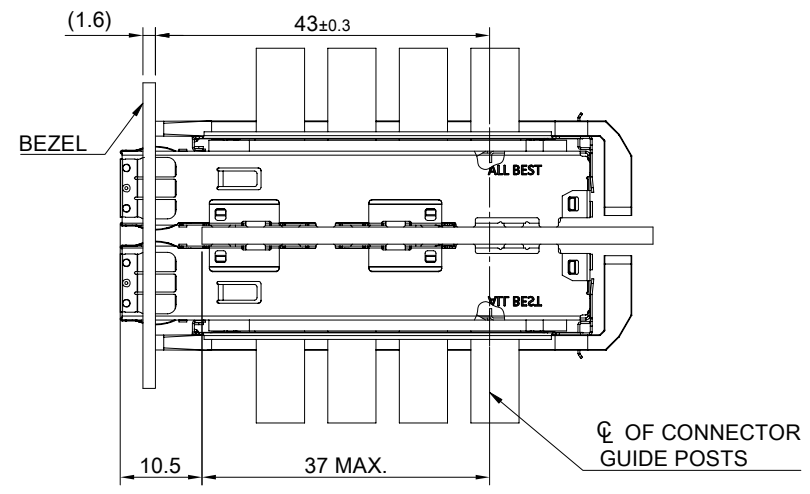
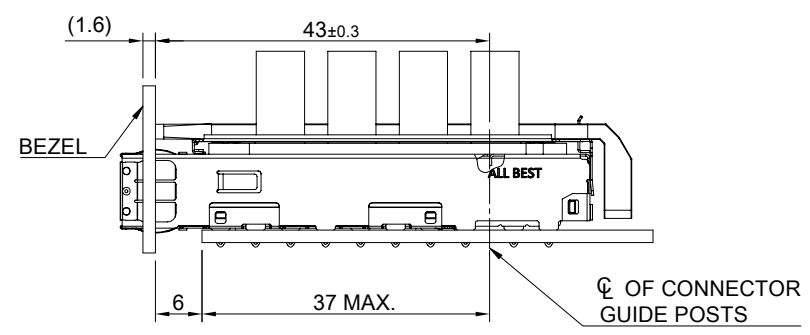
TITLE: QSFP56 1X2 Cage w/ Light Pipe & NET Heat Sink			
DWG#: R-OR-DZQ2-4CMED-MK		SHEET: 1/4	REV. REF
UNIT: mm	SCALE: A4 1:1	CHECKED:	
THIRD ANGLE PROJECTION		APPROVED:	
TOLERANCE: Angle: ± 1°		DATE: 3/14/2024	
X.± 0.25 .X± 0.20 .XX± 0.15		DRAWN: Pohsiung	
		MATERIAL: RoHS Compliant	



SINGLE-SIDE CONFIGURATION



BELLY TO BELLY CONFIGURATION

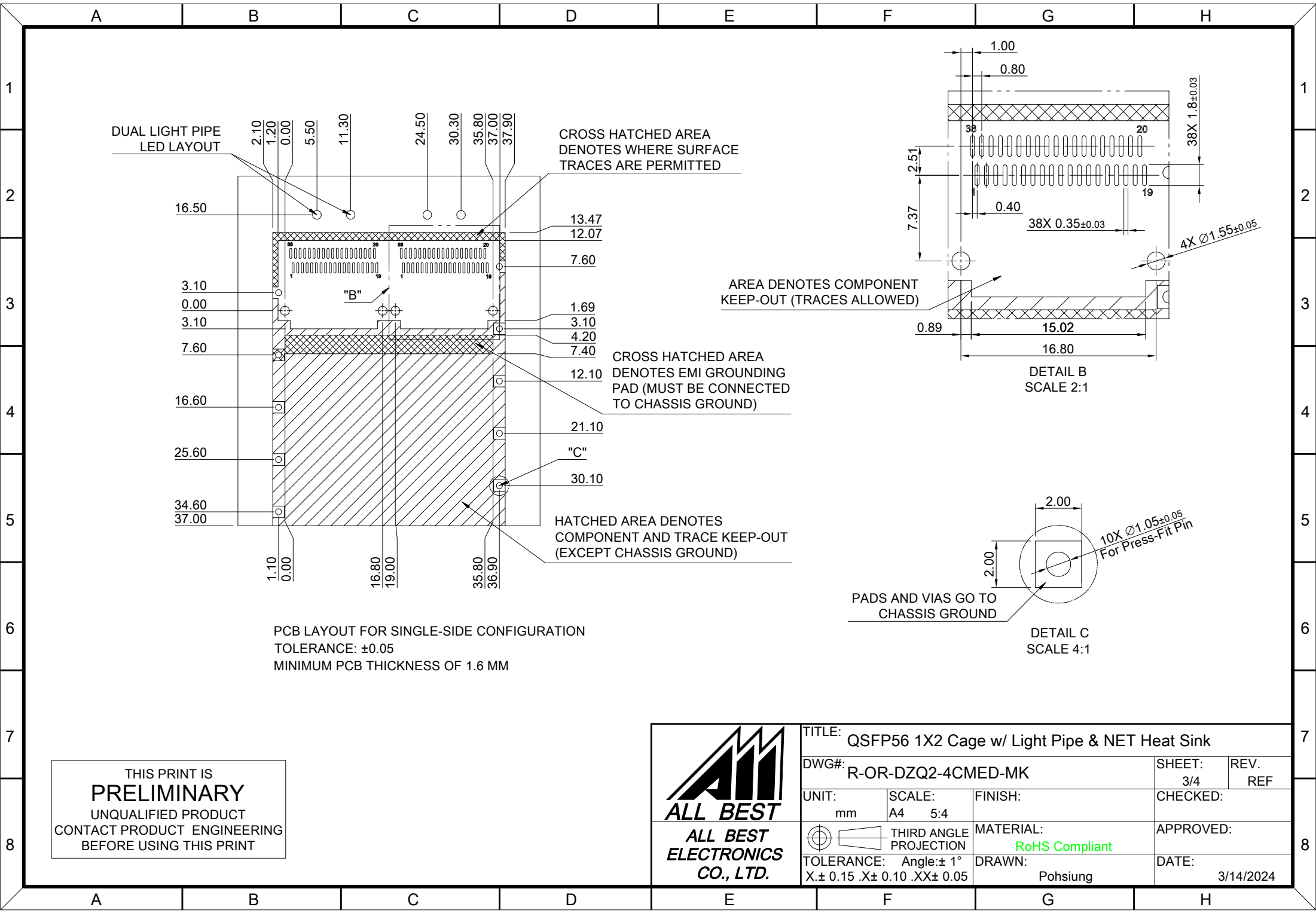


C = THICKNESS OF PC BOARD  
 SINGLE-SIDE = 1.6MM (MIN.)  
 BELLY TO BELLY = 2.2MM (MIN.)

THIS PRINT IS  
**PRELIMINARY**  
 UNQUALIFIED PRODUCT  
 CONTACT PRODUCT ENGINEERING  
 BEFORE USING THIS PRINT



TITLE: QSFP56 1X2 Cage w/ Light Pipe & NET Heat Sink			
DWG#: R-OR-DZQ2-4CMED-MK		SHEET: 2/4	REV. REF
UNIT: mm	SCALE: A4 1:1	CHECKED:	
THIRD ANGLE PROJECTION		APPROVED:	
TOLERANCE: Angle: ± 1°		MATERIAL: RoHS Compliant	DATE:
X.± 0.15 .X± 0.10 .XX± 0.05		DRAWN: Pohsiung	3/14/2024

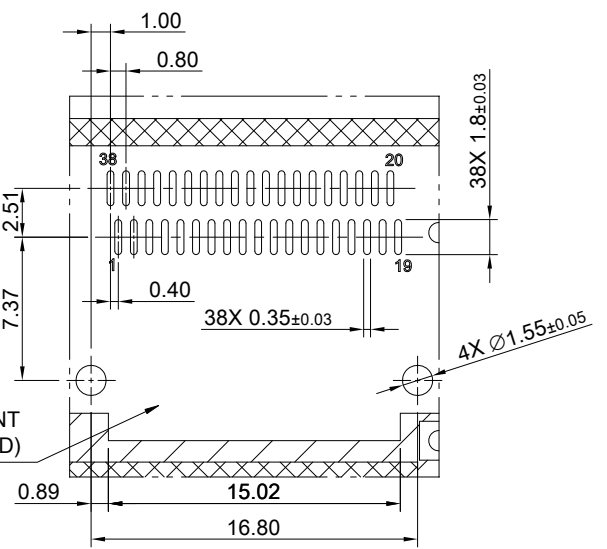


PCB LAYOUT FOR SINGLE-SIDE CONFIGURATION  
 TOLERANCE: ±0.05  
 MINIMUM PCB THICKNESS OF 1.6 MM

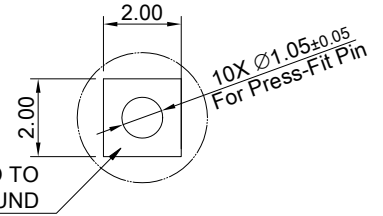
AREA DENOTES COMPONENT  
 KEEP-OUT (TRACES ALLOWED)

CROSS HATCHED AREA  
 DENOTES EMI GROUNDING  
 PAD (MUST BE CONNECTED  
 TO CHASSIS GROUND)

HATCHED AREA DENOTES  
 COMPONENT AND TRACE  
 KEEP-OUT (EXCEPT CHASSIS  
 GROUND)



DETAIL B  
 SCALE 2:1

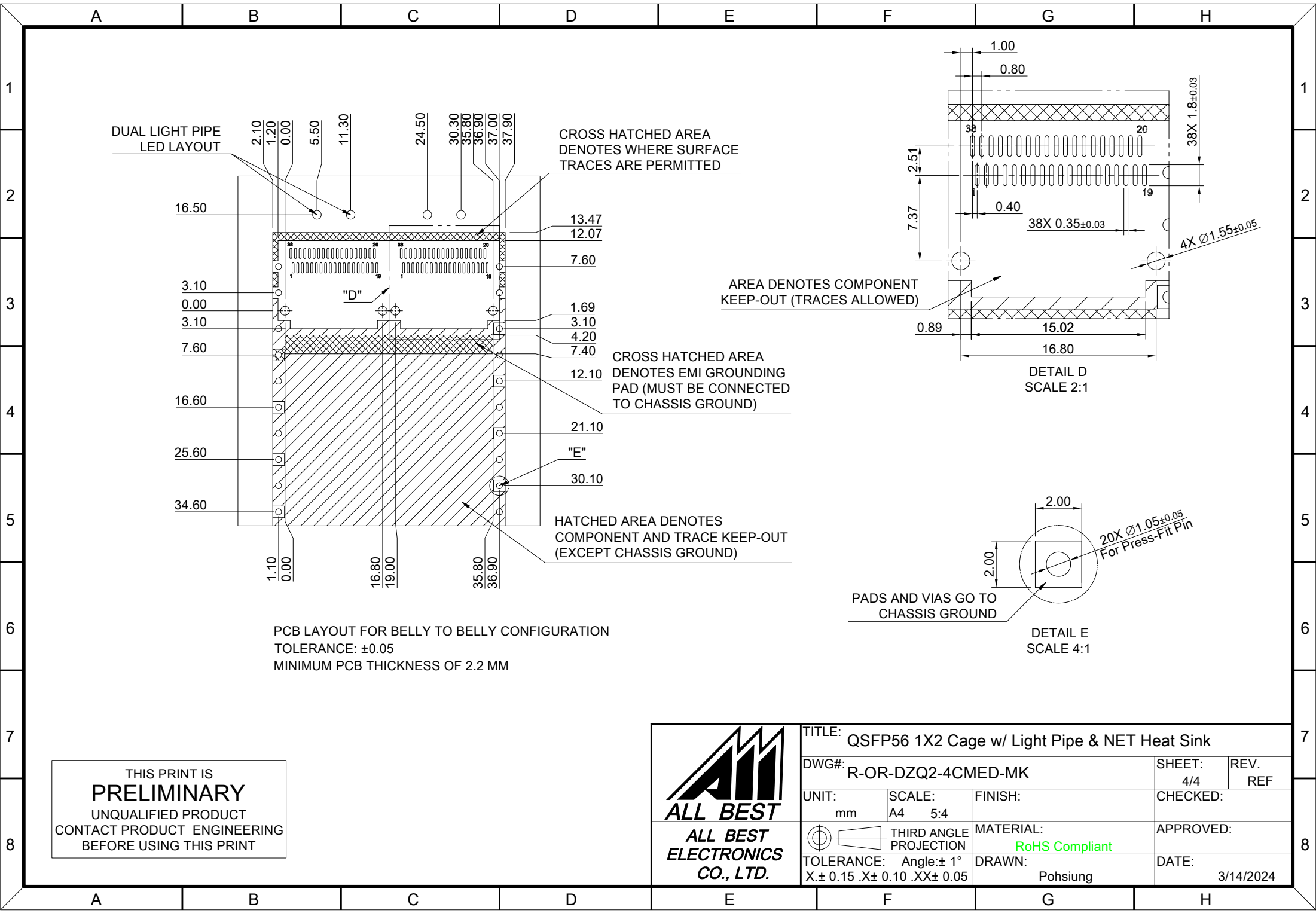


DETAIL C  
 SCALE 4:1

THIS PRINT IS  
**PRELIMINARY**  
 UNQUALIFIED PRODUCT  
 CONTACT PRODUCT ENGINEERING  
 BEFORE USING THIS PRINT





TITLE: QSFP56 1X2 Cage w/ Light Pipe & NET Heat Sink			
DWG#: R-OR-DZQ2-4CMED-MK		SHEET: 3/4	REV. REF
UNIT: mm	SCALE: A4 5:4	CHECKED:	
THIRD ANGLE PROJECTION		MATERIAL: RoHS Compliant	
TOLERANCE: Angle: ± 1° X: ± 0.15 .X: ± 0.10 .XX: ± 0.05		DRAWN: Pohsiung	DATE: 3/14/2024
		APPROVED:	



PCB LAYOUT FOR BELLY TO BELLY CONFIGURATION  
 TOLERANCE: ±0.05  
 MINIMUM PCB THICKNESS OF 2.2 MM

THIS PRINT IS  
**PRELIMINARY**  
 UNQUALIFIED PRODUCT  
 CONTACT PRODUCT ENGINEERING  
 BEFORE USING THIS PRINT

 <b>ALL BEST ELECTRONICS CO., LTD.</b>		TITLE: QSFP56 1X2 Cage w/ Light Pipe & NET Heat Sink	
		DWG#: R-OR-DZQ2-4CMED-MK	SHEET: 4/4 REV. REF
UNIT: mm	SCALE: A4 5:4	FINISH:	CHECKED:
 THIRD ANGLE PROJECTION		MATERIAL: <b>RoHS Compliant</b>	APPROVED:
TOLERANCE: X:± 0.15 .X:± 0.10 .XX:± 0.05		DRAWN: Pohsiung	DATE: 3/14/2024