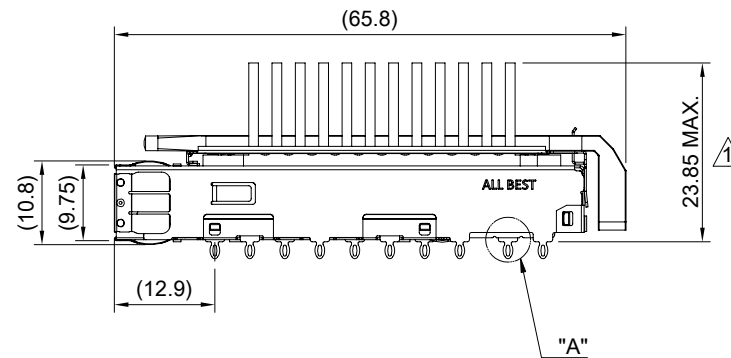
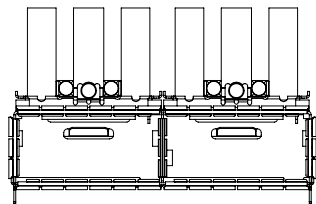
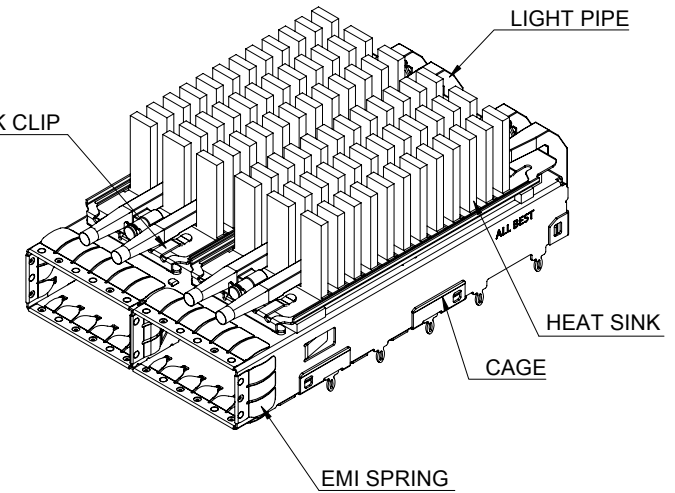


DETAIL A  
SCALE 5:1



MATERIAL  
 CAGE: NICKEL SILVER  
 HEAT SINK: ALUMINUM  
 HEAT SINK CLIP: STAINLESS STEEL  
 EMI SPRING: STAINLESS STEEL  
 LIGHT PIPE: PC

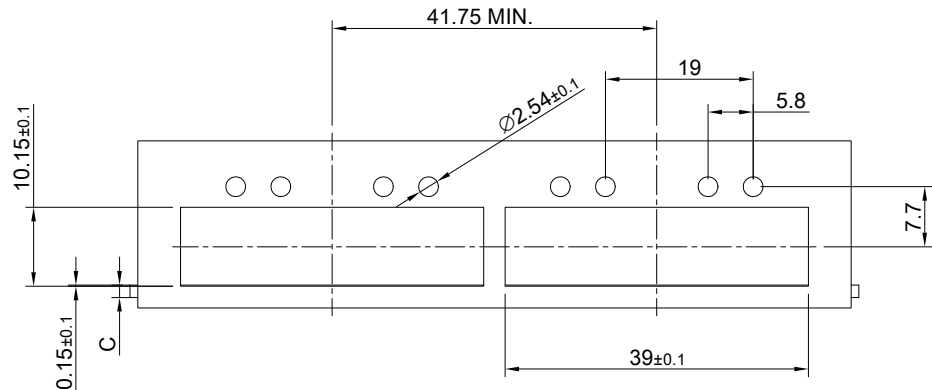
FINISH  
 HEAT SINK: ANODE PROCESS

NOTE  
 ▲ DIMENSION APPLIES WITH MODULE INSERTED IN CAGE

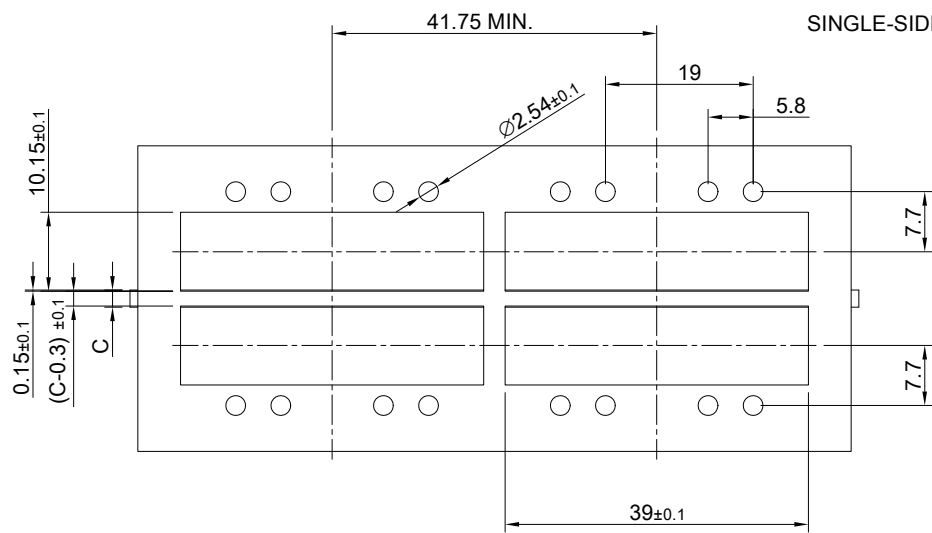
THIS PRINT IS  
**PRELIMINARY**  
 UNQUALIFIED PRODUCT  
 CONTACT PRODUCT ENGINEERING  
 BEFORE USING THIS PRINT



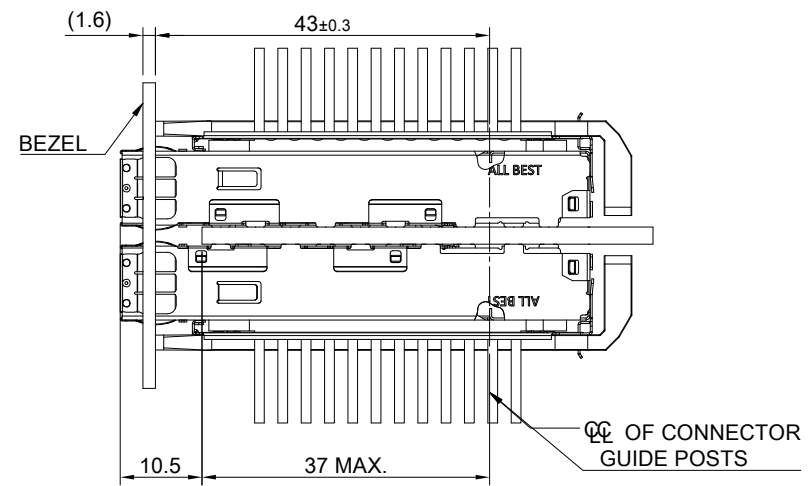
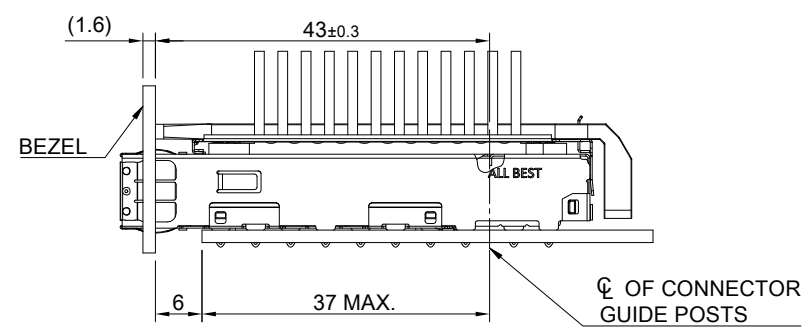
TITLE: QSFP56 1X2 Cage Assembly w/ Light Pipe & NET Heat Sink			
DWG#: R-OR-DZQ2-4CME3-MK		SHEET: 1/4	REV. REF
UNIT: mm	SCALE: A4 1:1	CHECKED:	
THIRD ANGLE PROJECTION		APPROVED:	
TOLERANCE: Angle: ± 1°		MATERIAL: RoHS Compliant	DATE:
X.± 0.25 .X± 0.20 .XX± 0.15		Drawn: Pohsiung	3/14/2024



SINGLE-SIDE CONFIGURATION



BELLY TO BELLY CONFIGURATION

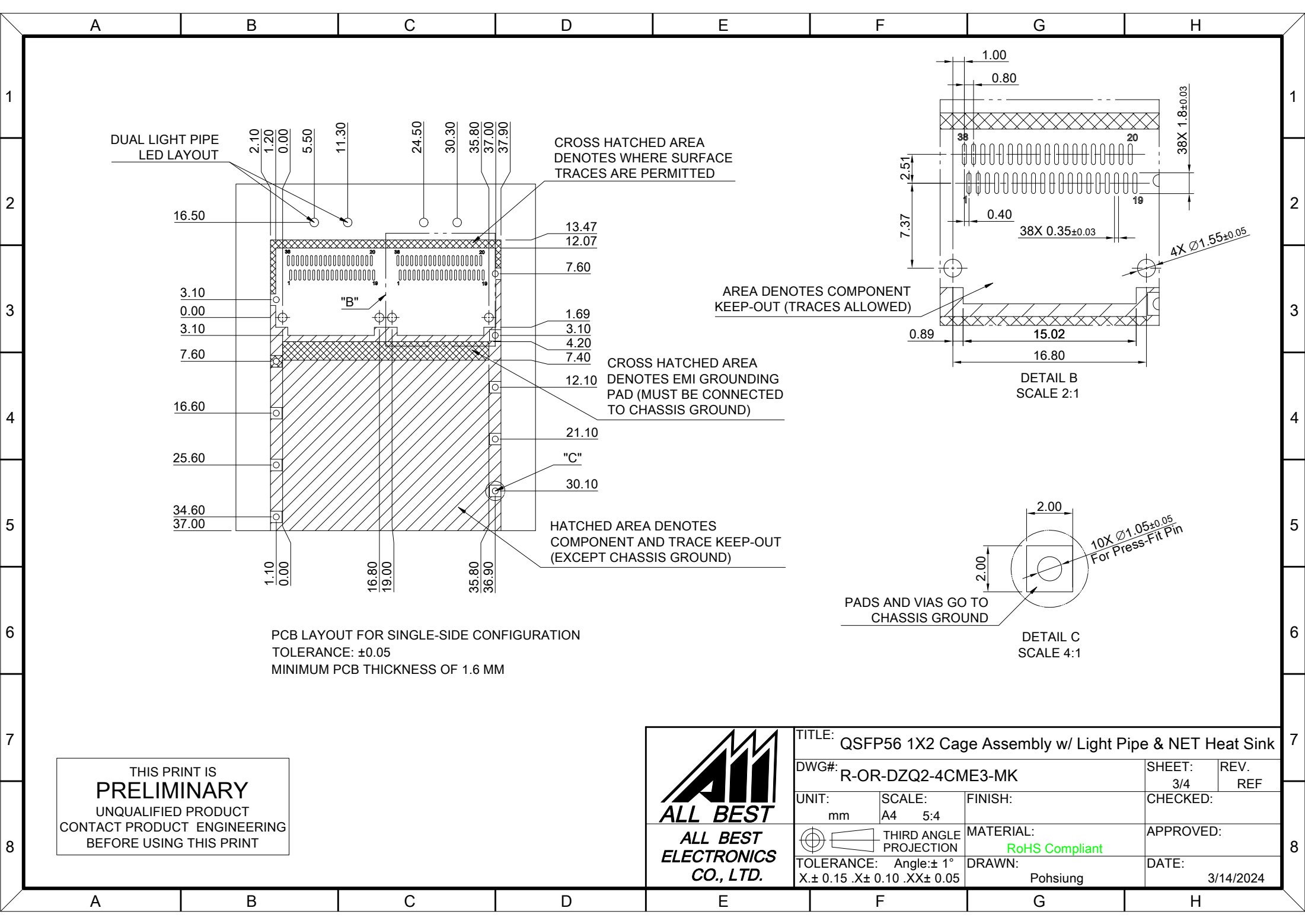


C = THICKNESS OF PC BOARD  
 SINGLE-SIDE = 1.6MM (MIN.)  
 BELLY TO BELLY = 2.2MM (MIN.)

THIS PRINT IS  
**PRELIMINARY**  
 UNQUALIFIED PRODUCT  
 CONTACT PRODUCT ENGINEERING  
 BEFORE USING THIS PRINT



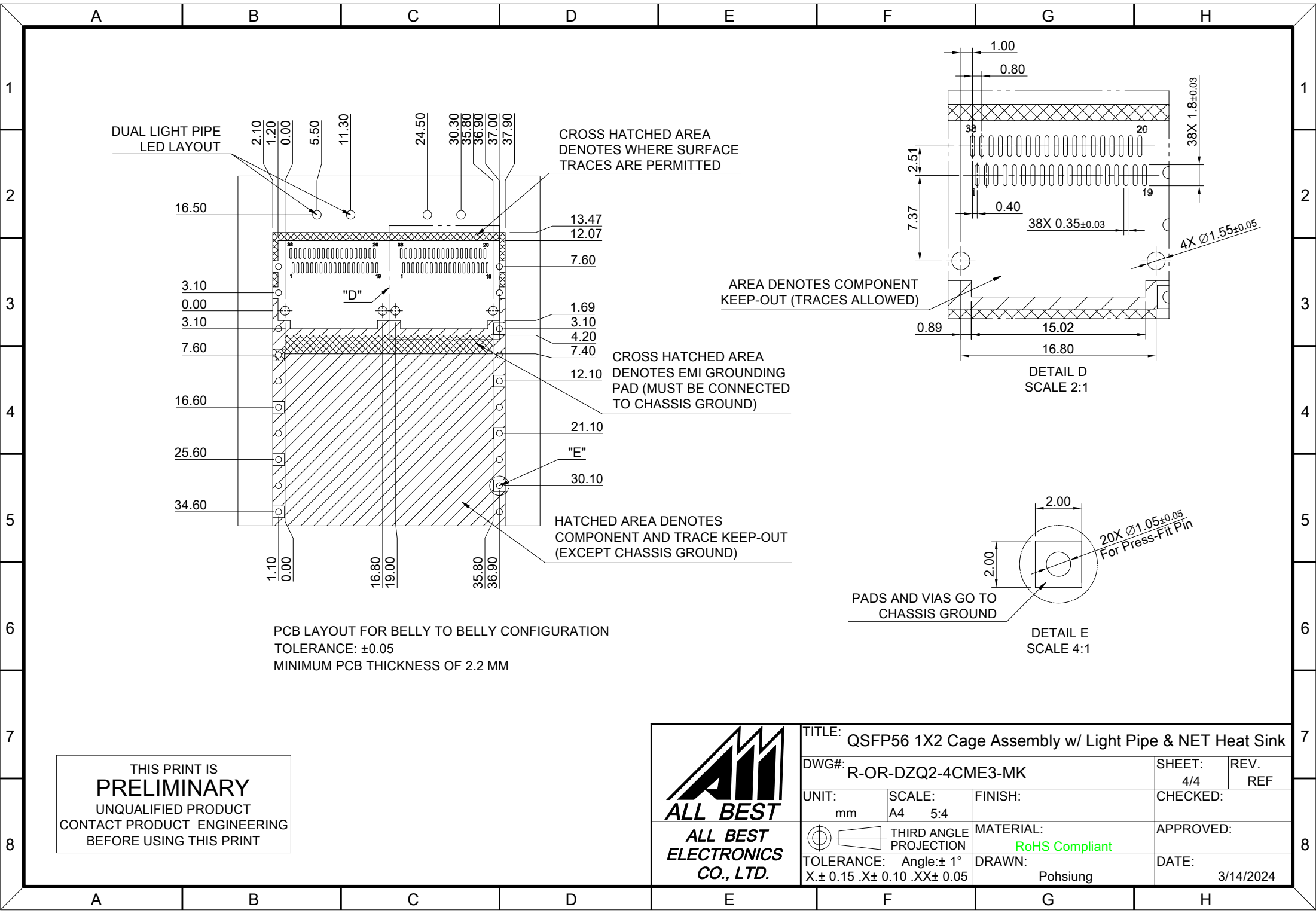
TITLE: QSFP56 1X2 Cage Assembly w/ Light Pipe & NET Heat Sink			
DWG#: R-OR-DZQ2-4CME3-MK		SHEET: 2/4	REV. REF
UNIT: mm	SCALE: A4 1:1	CHECKED:	
THIRD ANGLE PROJECTION		APPROVED:	
TOLERANCE: Angle: ± 1°		MATERIAL: RoHS Compliant	DATE:
X.± 0.15 .X± 0.10 .XX± 0.05		DRAWN: Pohsiung	3/14/2024



THIS PRINT IS  
**PRELIMINARY**  
UNQUALIFIED PRODUCT  
CONTACT PRODUCT ENGINEERING  
BEFORE USING THIS PRINT




<b>TITLE:</b> QSFP56 1X2 Cage Assembly w/ Light Pipe & NET Heat Sink			
<b>DWG#:</b> R-OR-DZQ2-4CME3-MK		<b>SHEET:</b> 3/4	<b>REV. REF</b>
<b>UNIT:</b> mm	<b>SCALE:</b> A4 5:4	<b>CHECKED:</b>	
<b>THIRD ANGLE PROJECTION</b>		<b>MATERIAL:</b> RoHS Compliant	<b>APPROVED:</b>
<b>TOLERANCE:</b> Angle: ± 1° X: ± 0.15 .X: ± 0.10 .XX: ± 0.05		<b>DRAWN:</b> Pohsiung	<b>DATE:</b> 3/14/2024



PCB LAYOUT FOR BELLY TO BELLY CONFIGURATION  
 TOLERANCE: ±0.05  
 MINIMUM PCB THICKNESS OF 2.2 MM

THIS PRINT IS  
**PRELIMINARY**  
 UNQUALIFIED PRODUCT  
 CONTACT PRODUCT ENGINEERING  
 BEFORE USING THIS PRINT

 <b>ALL BEST</b> <b>ELECTRONICS</b> <b>CO., LTD.</b>	<b>TITLE:</b> QSFP56 1X2 Cage Assembly w/ Light Pipe & NET Heat Sink		<b>SHEET:</b> 4/4		<b>REV. REF</b>	
	<b>DWG#:</b> R-OR-DZQ2-4CME3-MK		<b>CHECKED:</b>		<b>APPROVED:</b>	
<b>UNIT:</b> mm	<b>SCALE:</b> A4 5:4	<b>FINISH:</b>		<b>MATERIAL:</b> RoHS Compliant		
<b>TOLERANCE:</b> Angle: ± 1° X: ± 0.15 .X: ± 0.10 .XX: ± 0.05		<b>DRAWN:</b> Pohsiung		<b>DATE:</b> 3/14/2024		

