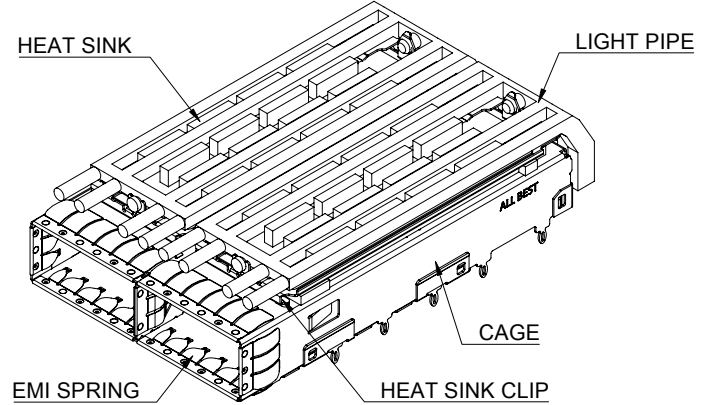


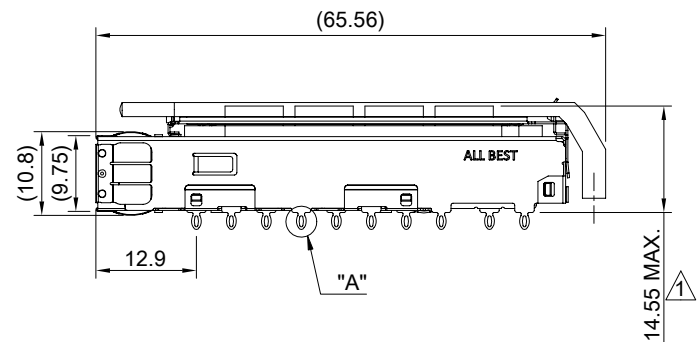
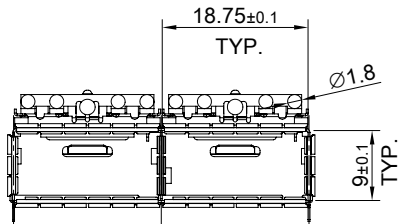
DETAIL A
SCALE 4:1



MATERIAL
 CAGE: NICKEL SILVER
 EMI SPRING: STAINLESS STEEL
 HEAT SINK: ALUMINUM
 HEAT SINK CLIP: STAINLESS STEEL
 LIGHT PIPE: PC

FINISH
 HEAT SINK: ANODE PROCESS

NOTE
 ▲ DIMENSION APPLIES WITH MODULE INSERTED IN CAGE



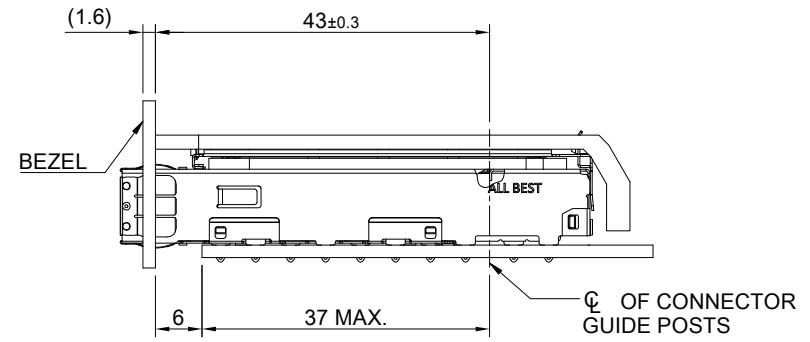
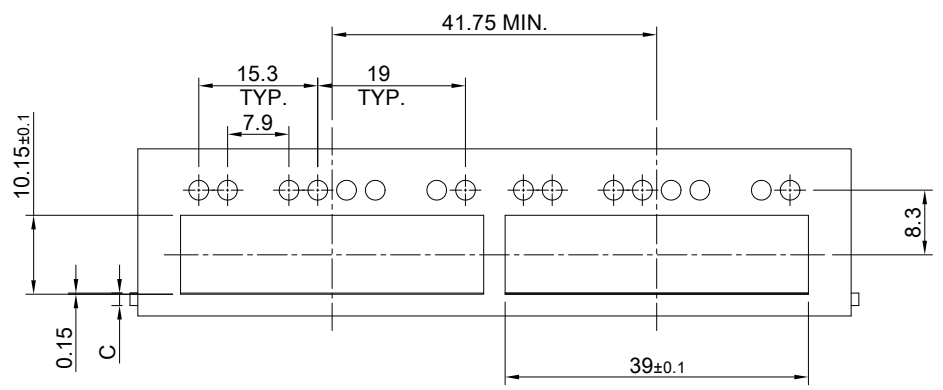
THIS PRINT IS
PRELIMINARY
 UNQUALIFIED PRODUCT
 CONTACT PRODUCT ENGINEERING
 BEFORE USING THIS PRINT



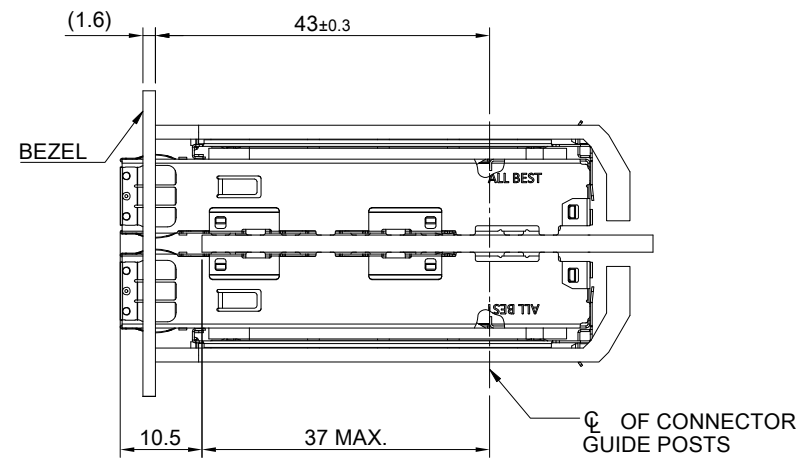
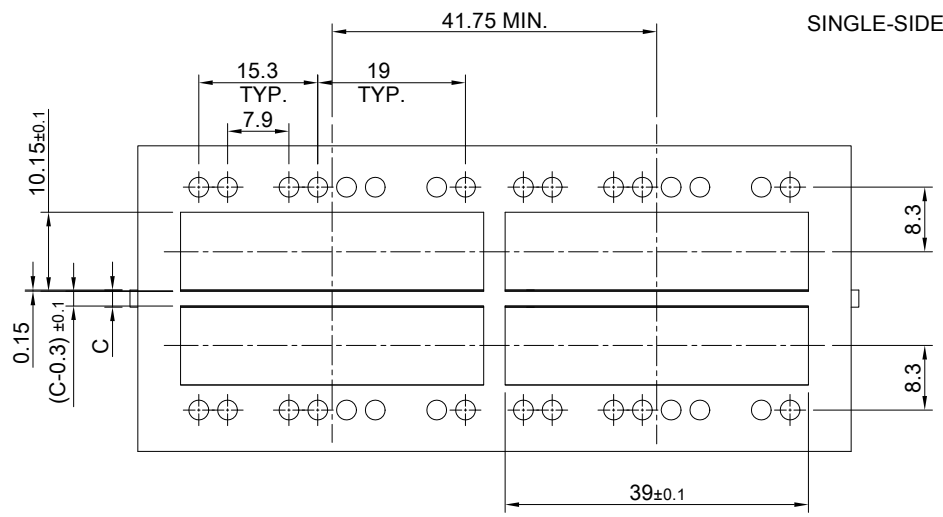
TITLE: QSFP56 1X2 Cage Assembly w/ Light Pipe & PCI Heat Sink			
DWG#: R-OR-DZQ2-4CMEG-MK		SHEET: 1/4	REV. REF
UNIT: mm	SCALE: A4 1:1	FINISH:	CHECKED:
TOLERANCE: Angle: ± 1° X.± 0.25 .X± 0.20 .XX± 0.15		MATERIAL: RoHS Compliant	APPROVED:
THIRD ANGLE PROJECTION		DRAWN: Pohsiung	DATE: 3/14/2024

A B C D E F G H

1
2
3
4
5
6
7
8



SINGLE-SIDE CONFIGURATION



BELLY TO BELLY CONFIGURATION

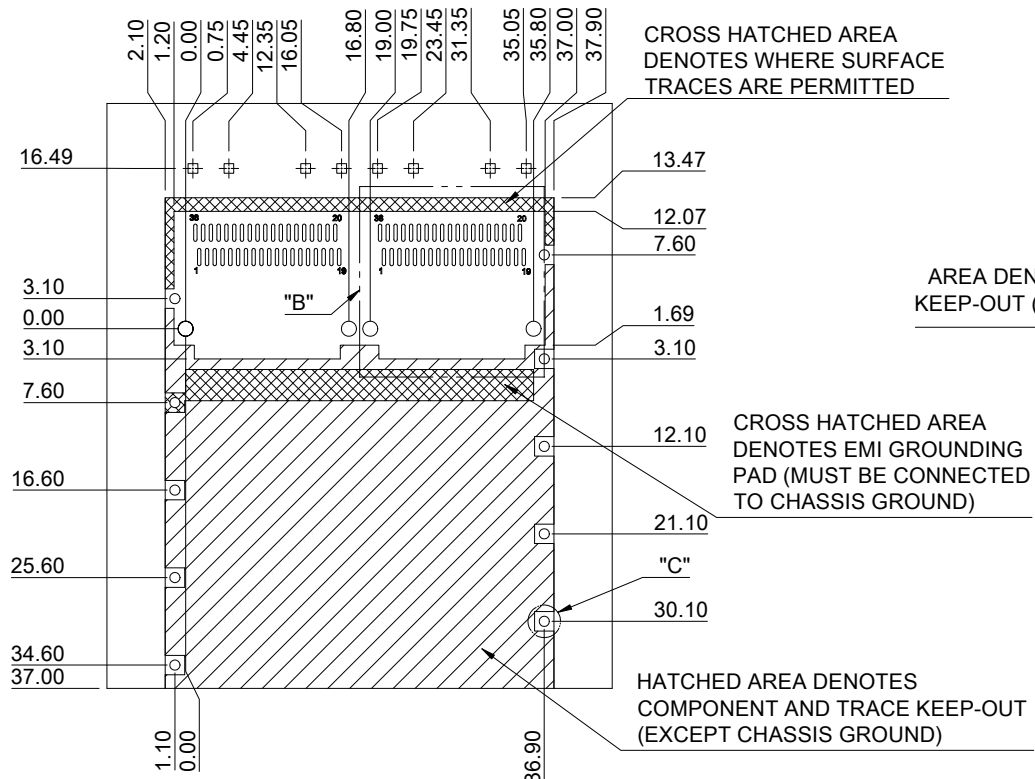
C = THICKNESS OF PC BOARD
 SINGLE-SIDE = 1.6MM (MIN.)
 BELLY TO BELLY = 2.2MM (MIN.)

THIS PRINT IS
PRELIMINARY
 UNQUALIFIED PRODUCT
 CONTACT PRODUCT ENGINEERING
 BEFORE USING THIS PRINT

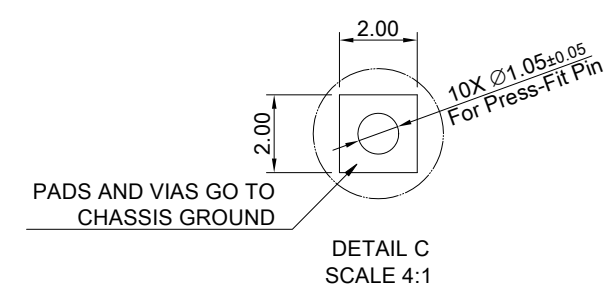
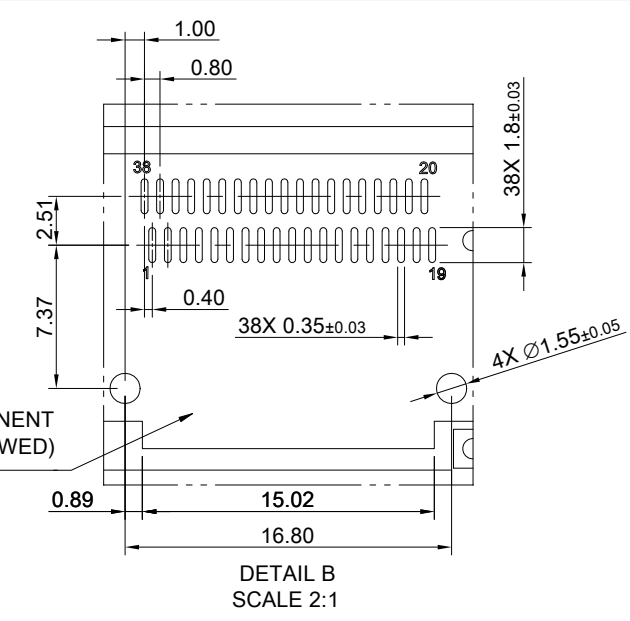


TITLE: QSFP56 1X2 Cage Assembly w/ Light Pipe & PCI Heat Sink			
DWG#: R-OR-DZQ2-4CMEG-MK		SHEET: 2/4	REV. REF
UNIT: mm	SCALE: A4 1:1	CHECKED:	
THIRD ANGLE PROJECTION		APPROVED:	
TOLERANCE: Angle: ± 1°		DATE: 3/14/2024	
X.± 0.15 .X± 0.10 .XX± 0.05		DRAWN: Pohsiung	
MATERIAL: RoHS Compliant			


A B C D E F G H



PCB LAYOUT FOR SINGLE-SIDE CONFIGURATION
 TOLERANCE: ± 0.05
 MINIMUM PCB THICKNESS OF 1.6 MM



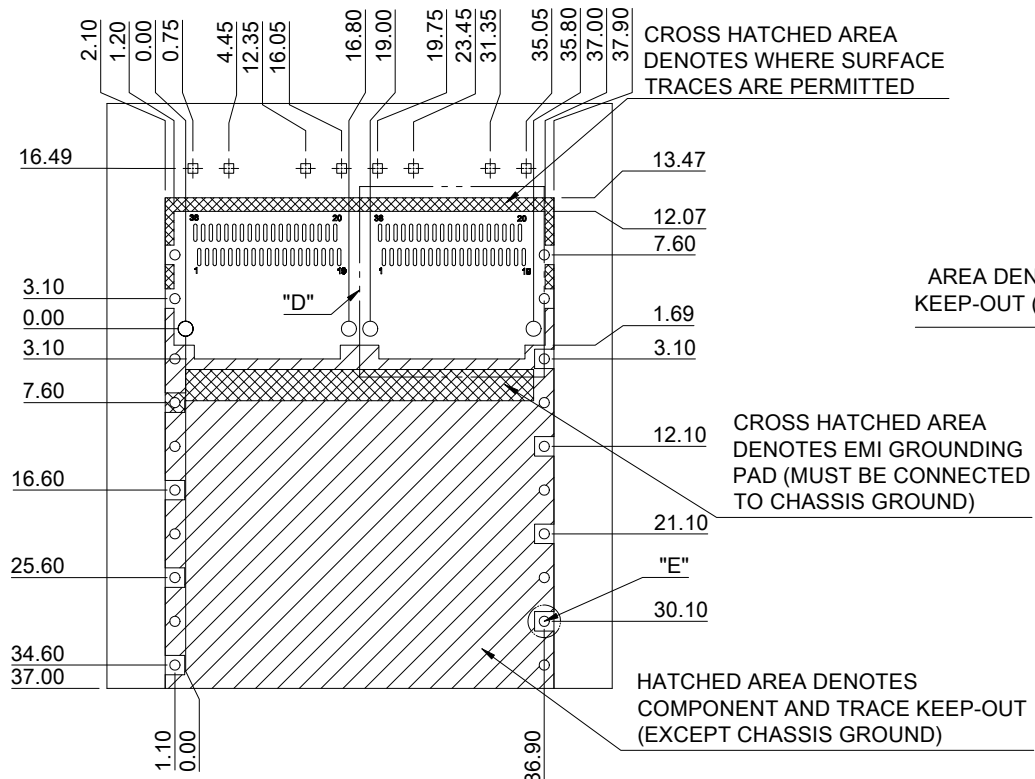
THIS PRINT IS
PRELIMINARY
 UNQUALIFIED PRODUCT
 CONTACT PRODUCT ENGINEERING
 BEFORE USING THIS PRINT

 ALL BEST ELECTRONICS CO., LTD.	TITLE: QSFP56 1X2 Cage Assembly w/ Light Pipe & PCI Heat Sink		SHEET: 3/4		REV. REF	
	DWG#: R-OR-DZQ2-4CMEG-MK		CHECKED:		APPROVED:	
UNIT: mm	SCALE: A4 5:4	FINISH:		MATERIAL: RoHS Compliant		
TOLERANCE: Angle: $\pm 1^\circ$ $X \pm 0.15$. $X \pm 0.10$. $XX \pm 0.05$		DRAWN: Pohsiung		DATE: 3/14/2024		

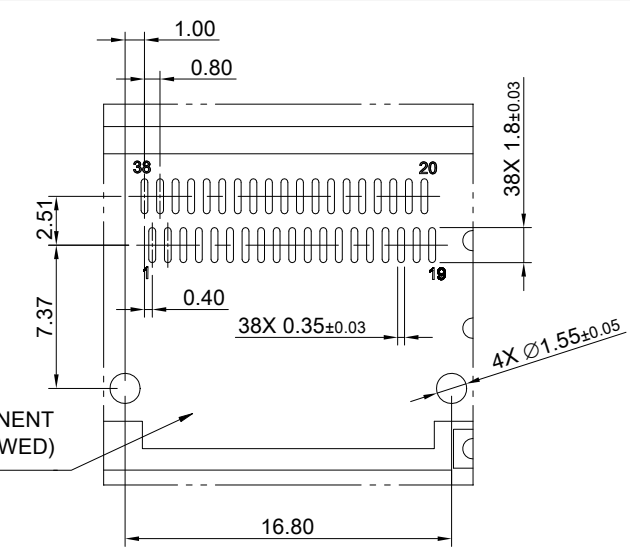
1
2
3
4
5
6
7
8

A B C D E F G H

A B C D E F G H

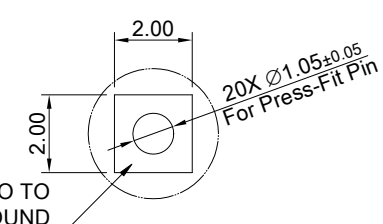


PCB LAYOUT FOR BELLY TO BELLY CONFIGURATION
 TOLERANCE: ± 0.05
 MINIMUM PCB THICKNESS OF 2.2 MM



AREA DENOTES COMPONENT
 KEEP-OUT (TRACES ALLOWED)

DETAIL D
 SCALE 2:1



PADS AND VIAS GO TO
 CHASSIS GROUND

DETAIL E
 SCALE 4:1

THIS PRINT IS
PRELIMINARY
 UNQUALIFIED PRODUCT
 CONTACT PRODUCT ENGINEERING
 BEFORE USING THIS PRINT

	TITLE: QSFP56 1X2 Cage Assembly w/ Light Pipe & PCI Heat Sink			SHEET: 4/4		REV. REF	
	DWG#: R-OR-DZQ2-4CMEG-MK			CHECKED:		APPROVED:	
UNIT: mm	SCALE: A4 5:4	FINISH:		MATERIAL: RoHS Compliant		DATE: 3/14/2024	
TOLERANCE: X \pm 0.15 .X \pm 0.10 .XX \pm 0.05		THIRD ANGLE PROJECTION		DRAWN: Pohsiung			