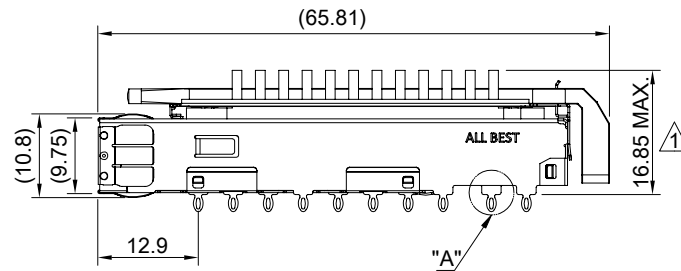
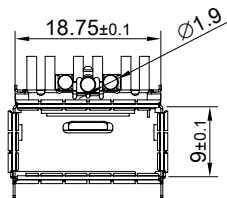
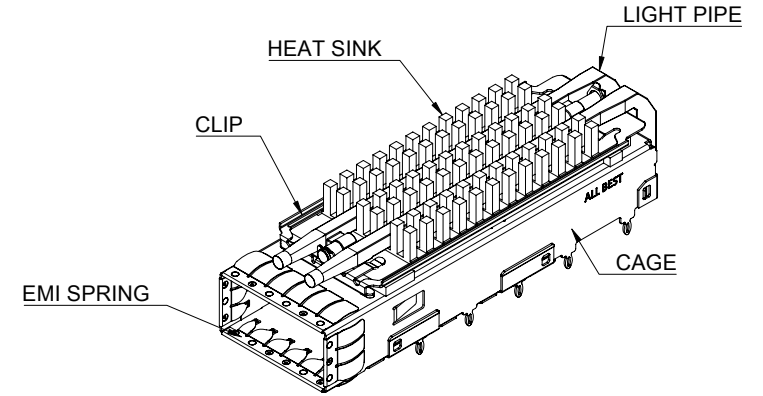


DETAIL A
SCALE 5:1



MATERIAL
 CAGE: NICKEL SILVER
 EMI SPRING: STAINLESS STEEL
 HEAT SINK: ALUMINUM
 HEAT SINK CLIP: STAINLESS STEEL
 LIGHT PIPE: PC

FINISH
 HEAT SINK: ANODE PROCESS

NOTE
 ▲ DIMENSION APPLIES WITH MODULE INSERTED IN CAGE

THIS PRINT IS
PRELIMINARY
 UNQUALIFIED PRODUCT
 CONTACT PRODUCT ENGINEERING
 BEFORE USING THIS PRINT



TITLE: QSFP56 1X1 Cage w/ Light Pipe & Heat Sink (SAN)

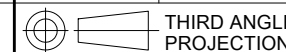
DWG#: R-OR-DZQ1-4CMEA-MK

SHEET: 1/4
 REV. REF

UNIT: mm
 SCALE: A4 1:1

FINISH:

CHECKED:



THIRD ANGLE
 PROJECTION

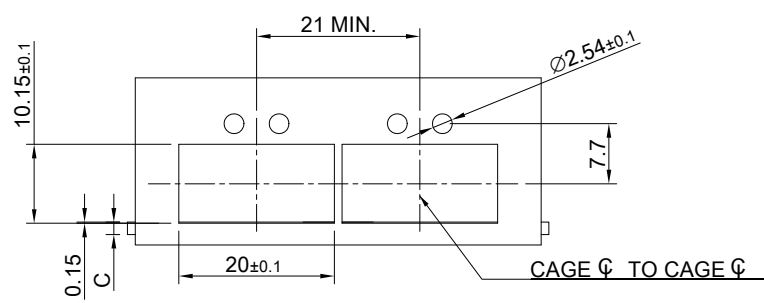
MATERIAL:
 RoHS Compliant

APPROVED:

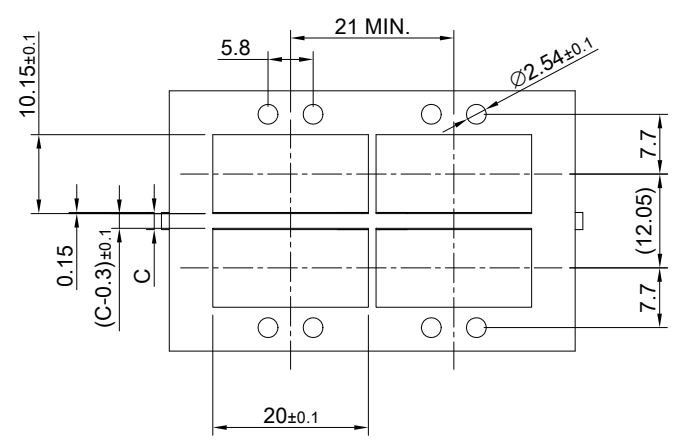
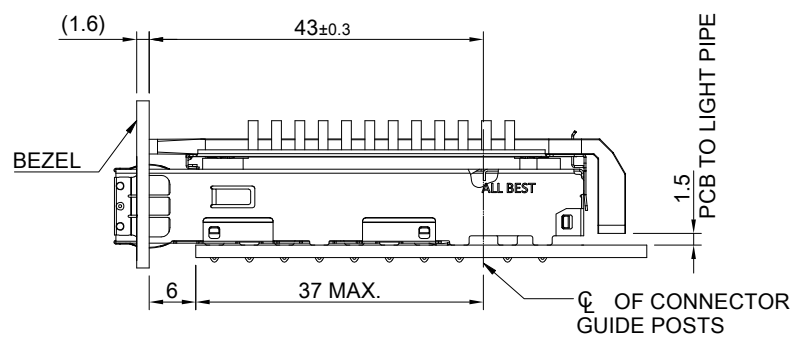
TOLERANCE: Angle: ± 1°
 X ± 0.25 .X ± 0.20 .XX ± 0.15

DRAWN:
 Pohsiung

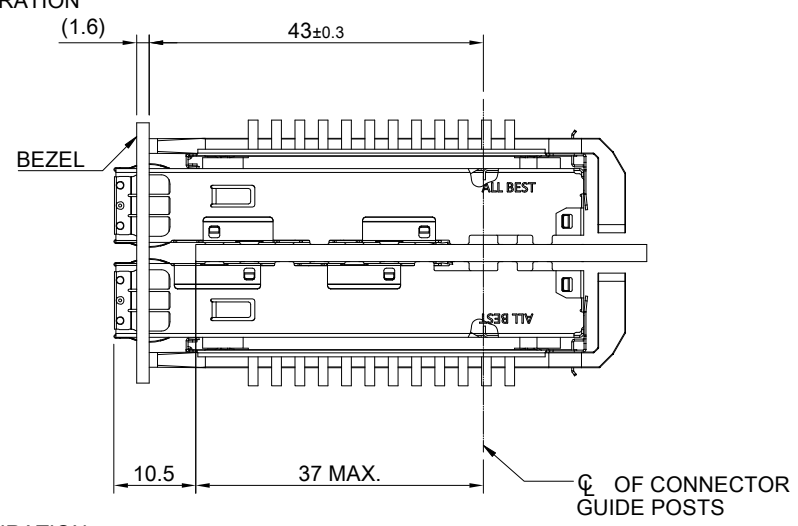
DATE:
 3/14/2024



SINGLE-SIDE CONFIGURATION




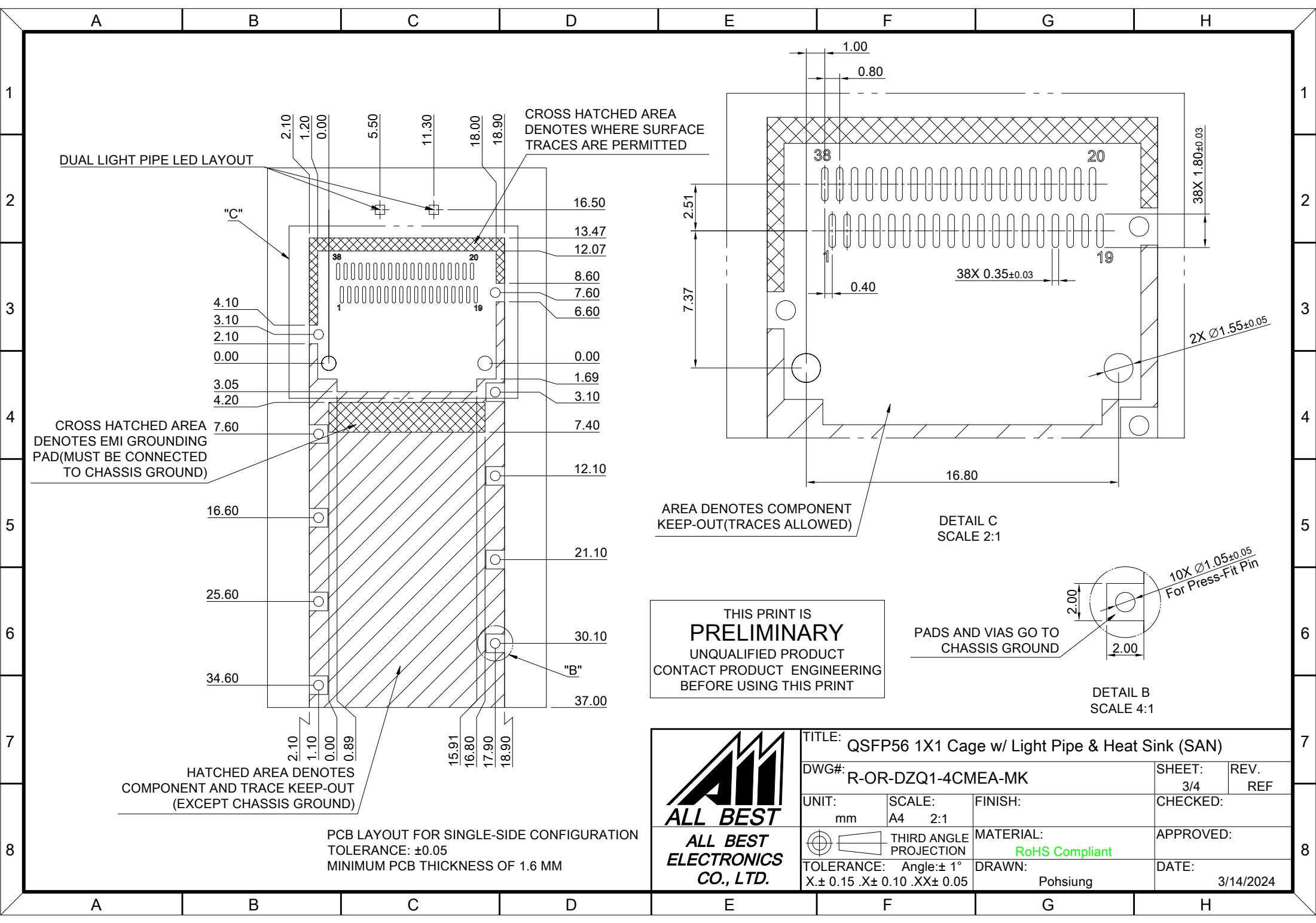
BELLY TO BELLY CONFIGURATION



C = THICKNESS OF PC BOARD
 SINGLE-SIDE = 1.6MM (MIN.)
 BELLY TO BELLY = 2.2MM (MIN.)

THIS PRINT IS
PRELIMINARY
 UNQUALIFIED PRODUCT
 CONTACT PRODUCT ENGINEERING
 BEFORE USING THIS PRINT

	TITLE: QSFP56 1X1 Cage w/ Light Pipe & Heat Sink (SAN)			7
	DWG#: R-OR-DZQ1-4CMEA-MK		SHEET: 2/4	REV. REF
	UNIT: mm	SCALE: A4 1:1	FINISH:	CHECKED:
	TOLERANCE: Angle: ± 1° X ± 0.15 .X ± 0.10 .XX ± 0.05		MATERIAL: RoHS Compliant	APPROVED:
		DRAWN: Pohsiung	DATE: 3/14/2024	8



DUAL LIGHT PIPE LED LAYOUT

CROSS HATCHED AREA DENOTES WHERE SURFACE TRACES ARE PERMITTED

CROSS HATCHED AREA DENOTES EMI GROUNDING PAD (MUST BE CONNECTED TO CHASSIS GROUND)

HATCHED AREA DENOTES COMPONENT AND TRACE KEEP-OUT (EXCEPT CHASSIS GROUND)

AREA DENOTES COMPONENT KEEP-OUT (TRACES ALLOWED)

THIS PRINT IS PRELIMINARY UNQUALIFIED PRODUCT CONTACT PRODUCT ENGINEERING BEFORE USING THIS PRINT

PADS AND VIAS GO TO CHASSIS GROUND

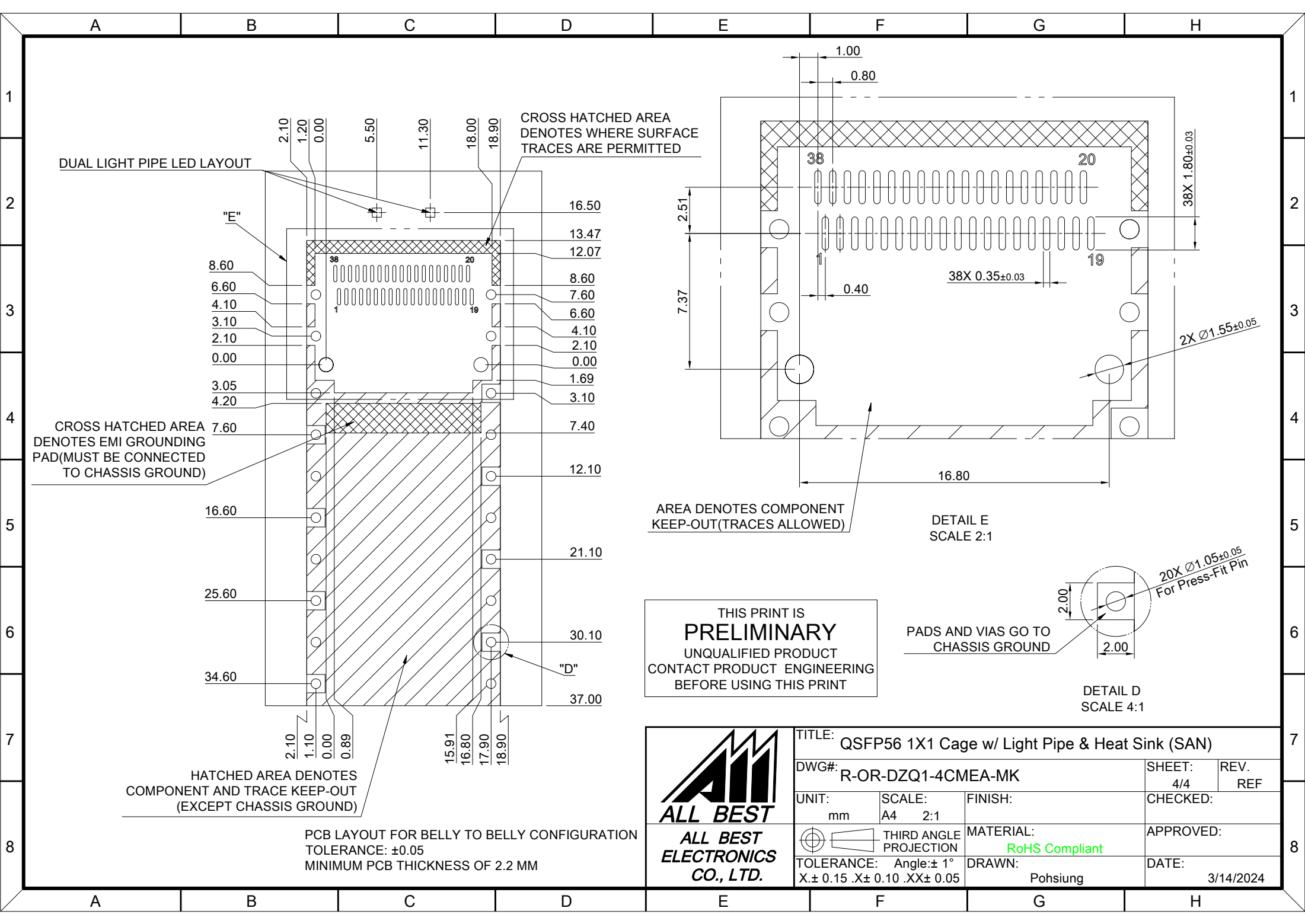
DETAIL B SCALE 4:1

DETAIL C SCALE 2:1

PCB LAYOUT FOR SINGLE-SIDE CONFIGURATION TOLERANCE: ±0.05 MINIMUM PCB THICKNESS OF 1.6 MM



TITLE: QSFP56 1X1 Cage w/ Light Pipe & Heat Sink (SAN)			
DWG#: R-OR-DZQ1-4CMEA-MK		SHEET: 3/4	REV. REF
UNIT: mm	SCALE: A4 2:1	CHECKED:	
THIRD ANGLE PROJECTION		APPROVED:	
TOLERANCE: Angle: ±1° X: ±0.15 .X: ±0.10 .XX: ±0.05		MATERIAL: RoHS Compliant	DATE: 3/14/2024
		DRAWN: Pohsiung	



THIS PRINT IS
PRELIMINARY
UNQUALIFIED PRODUCT
CONTACT PRODUCT ENGINEERING
BEFORE USING THIS PRINT



TITLE: QSFP56 1X1 Cage w/ Light Pipe & Heat Sink (SAN)			
DWG#: R-OR-DZQ1-4CMEA-MK		SHEET: 4/4	REV. REF
UNIT: mm	SCALE: A4 2:1	CHECKED:	
THIRD ANGLE PROJECTION		APPROVED:	
TOLERANCE: Angle: ±1° X ± 0.15 .X ± 0.10 .XX ± 0.05		MATERIAL: RoHS Compliant	DATE: 3/14/2024
		DRAWN: Pohsiung	