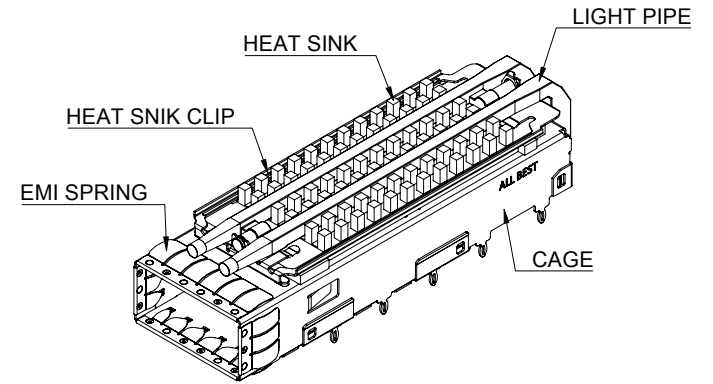


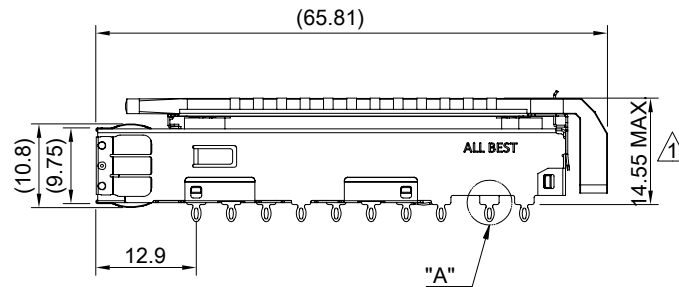
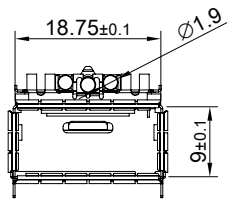
DETAIL A
SCALE 5:1



MATERIAL
 CAGE: NICKEL SILVER
 EMI SPRING: STAINLESS STEEL
 HEAT SINK: ALUMINUM
 HEAT SINK CLIP: STAINLESS STEEL
 LIGHT PIPE: PC

FINISH
 HEAT SINK: ANODE PROCESS

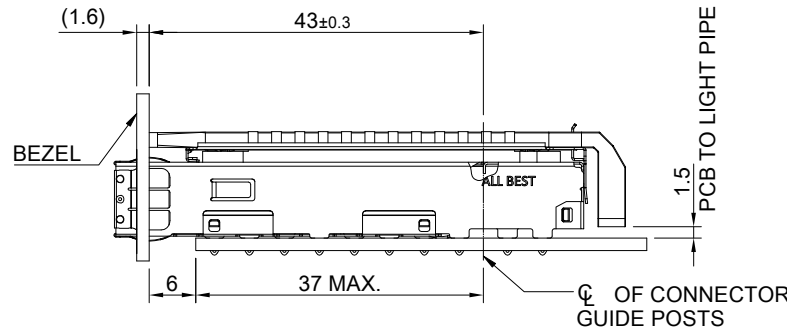
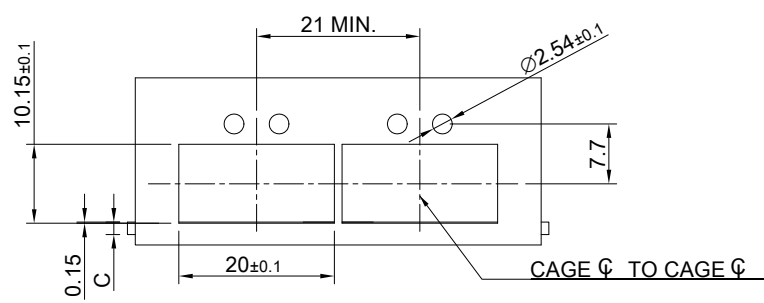
NOTE
 ▲ DIMENSION APPLIES WITH MODULE INSERTED IN CAGE



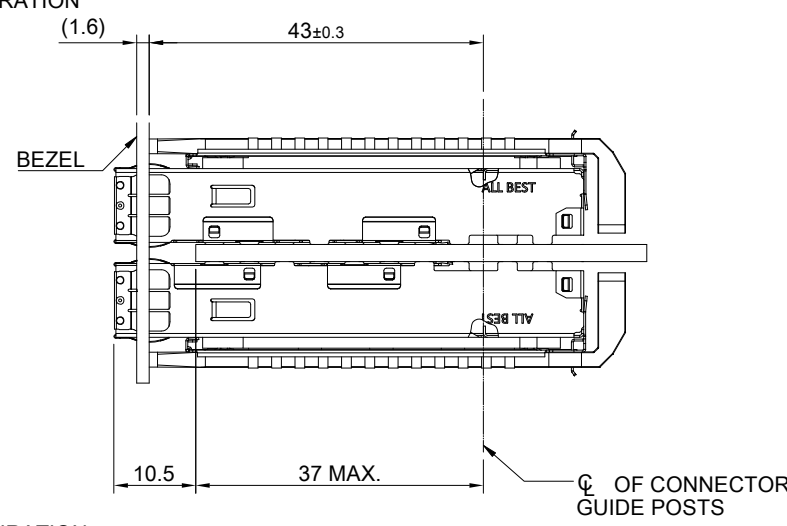
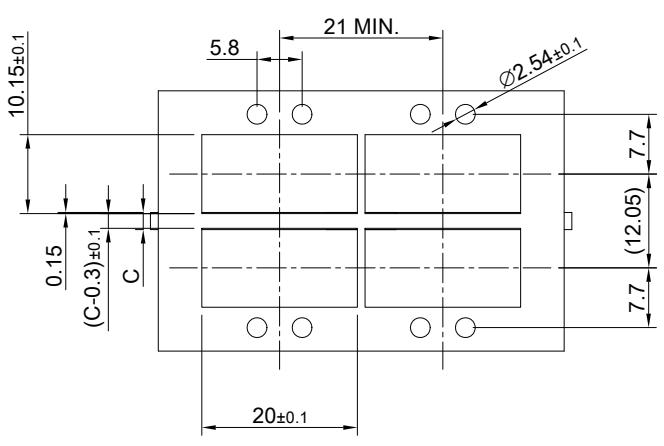
THIS PRINT IS
PRELIMINARY
 UNQUALIFIED PRODUCT
 CONTACT PRODUCT ENGINEERING
 BEFORE USING THIS PRINT



| | | | |
|---|---------------|--------------------------|-----------------|
| TITLE: QSFP56 1X1 Cage w/ Light Pipe & Heat Sink (PCI) | | | |
| DWG#: R-OR-DZQ1-4CME5-MK | | SHEET: 1/4 | REV. REF |
| UNIT: mm | SCALE: A4 1:1 | FINISH: | CHECKED: |
| THIRD ANGLE PROJECTION | | MATERIAL: RoHS Compliant | APPROVED: |
| TOLERANCE: Angle: ± 1° X ± 0.25 .X ± 0.20 .XX ± 0.15 | | DRAWN: Pohsiung | DATE: 3/14/2024 |




SINGLE-SIDE CONFIGURATION

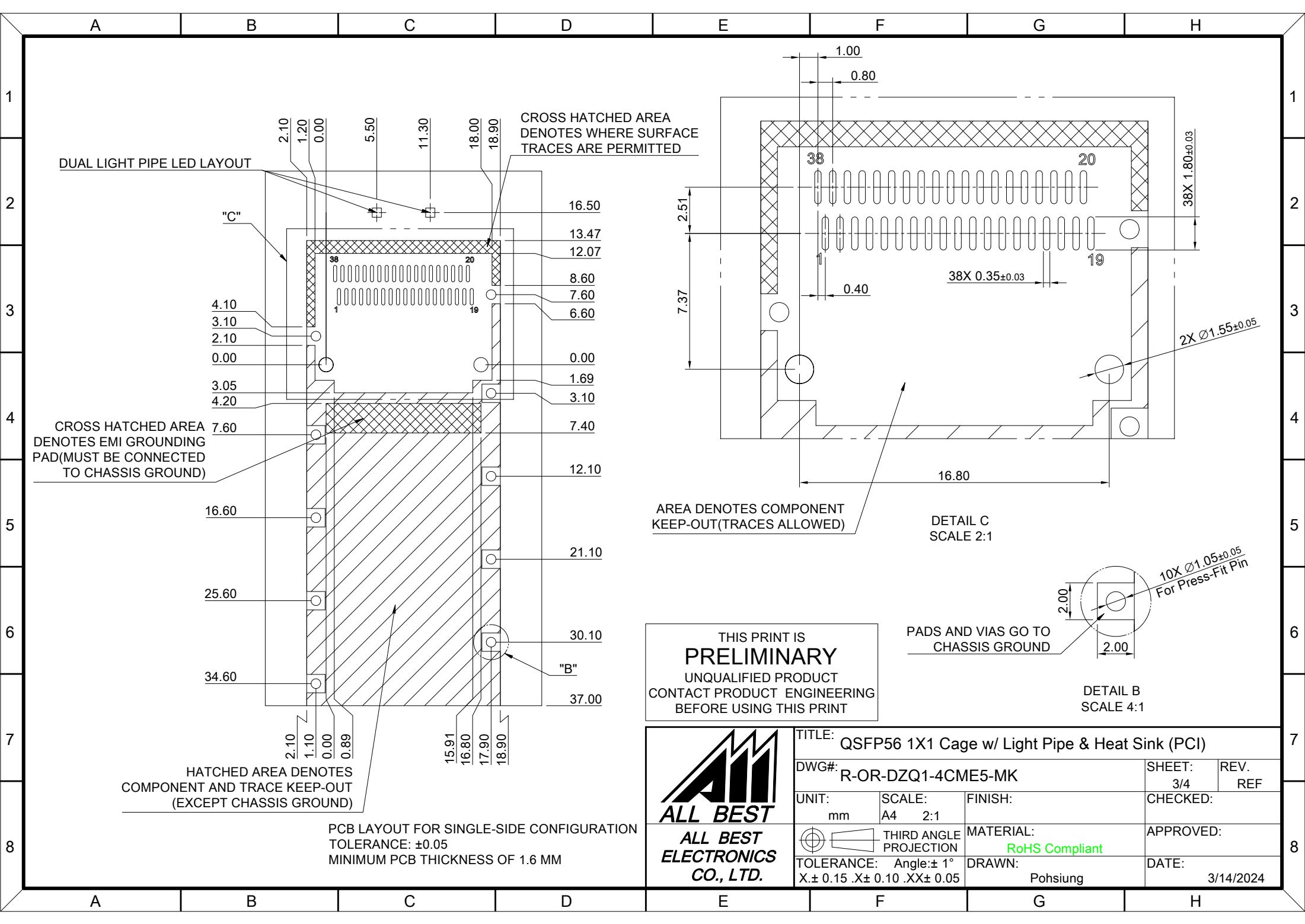


BELLY TO BELLY CONFIGURATION

C = THICKNESS OF PC BOARD
 SINGLE-SIDE = 1.6MM (MIN.)
 BELLY TO BELLY = 2.2MM (MIN.)

THIS PRINT IS
PRELIMINARY
 UNQUALIFIED PRODUCT
 CONTACT PRODUCT ENGINEERING
 BEFORE USING THIS PRINT

| | | | | | | | |
|--|--|---------------|------------------------|--------------------------|--|-----------------|--|
|  ALL BEST ELECTRONICS CO., LTD. | TITLE: QSFP56 1X1 Cage w/ Light Pipe & Heat Sink (PCI) | | | SHEET: 2/4 | | REV. REF | |
| | DWG#: R-OR-DZQ1-4CME5-MK | | | CHECKED: | | APPROVED: | |
| | UNIT: mm | SCALE: A4 1:1 | FINISH: | MATERIAL: RoHS Compliant | | DATE: 3/14/2024 | |
| | TOLERANCE: X± 0.15 .X± 0.10 .XX± 0.05 | | THIRD ANGLE PROJECTION | DRAWN: Pohsiung | | | |



THIS PRINT IS
PRELIMINARY
 UNQUALIFIED PRODUCT
 CONTACT PRODUCT ENGINEERING
 BEFORE USING THIS PRINT

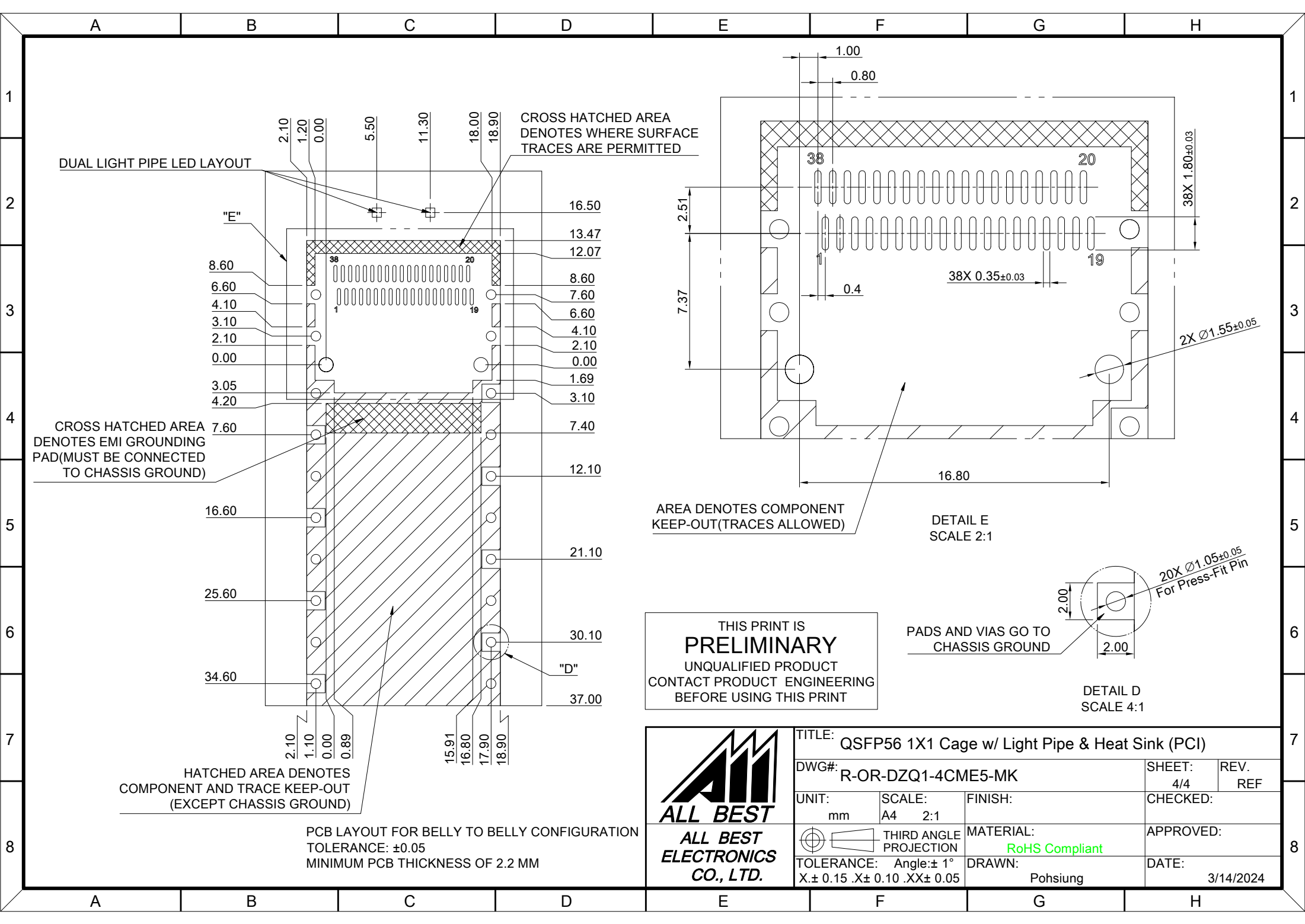
PADS AND VIAS GO TO
 CHASSIS GROUND

DETAIL B
 SCALE 4:1

DETAIL C
 SCALE 2:1

| | | | | | | |
|--|--|----------------------|---------------------------------|------------------------|------------------------|--|
| <p>ALL BEST ELECTRONICS CO., LTD.</p> | TITLE: QSFP56 1X1 Cage w/ Light Pipe & Heat Sink (PCI) | | SHEET: 3/4 | | REV. REF | |
| | DWG#: R-OR-DZQ1-4CME5-MK | | CHECKED: | | APPROVED: | |
| | UNIT: mm | SCALE: A4 2:1 | FINISH: | | DATE: 3/14/2024 | |
| | TOLERANCE: Angle: ± 1° X ± 0.15 .X ± 0.10 .XX ± 0.05 | | MATERIAL: RoHS Compliant | DRAWN: Pohsiung | | |

PCB LAYOUT FOR SINGLE-SIDE CONFIGURATION
 TOLERANCE: ±0.05
 MINIMUM PCB THICKNESS OF 1.6 MM



THIS PRINT IS
PRELIMINARY
UNQUALIFIED PRODUCT
CONTACT PRODUCT ENGINEERING
BEFORE USING THIS PRINT



| | | | |
|--|---------------|--------------------------|-----------------|
| TITLE: QSFP56 1X1 Cage w/ Light Pipe & Heat Sink (PCI) | | | |
| DWG#: R-OR-DZQ1-4CME5-MK | | SHEET: 4/4 | REV. REF |
| UNIT: mm | SCALE: A4 2:1 | CHECKED: | |
| THIRD ANGLE PROJECTION | | APPROVED: | |
| TOLERANCE: Angle: ±1° X ± 0.15 .X ± 0.10 .XX ± 0.05 | | MATERIAL: RoHS Compliant | DATE: 3/14/2024 |
| | | DRAWN: Pohsiung | |