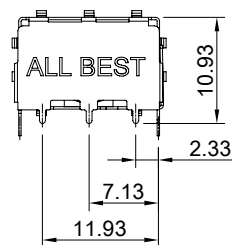
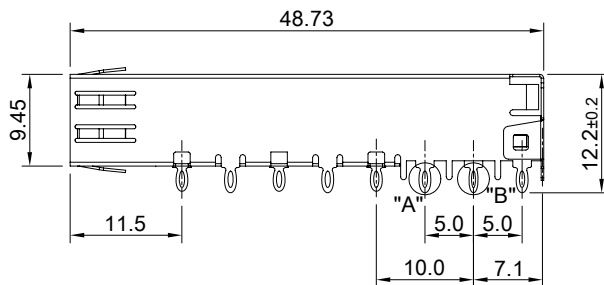
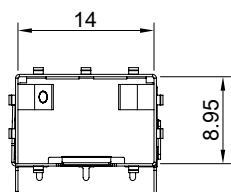
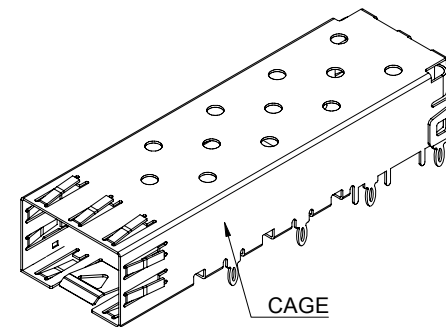
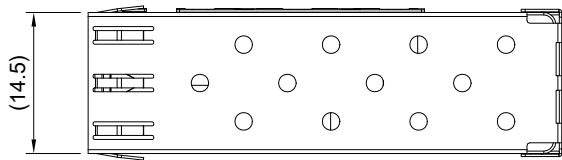
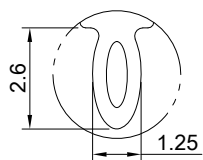
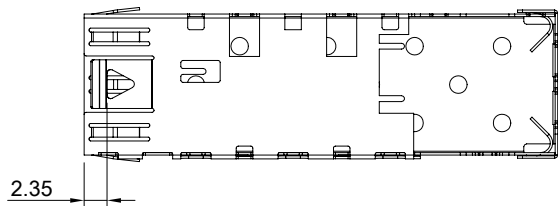


A B C D E F G H

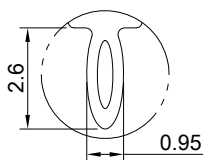
1
2
3
4
5
6
7
8



MATERIAL
CAGE: NICKEL SILVER



DETAIL A
SCALE 4:1



DETAIL B
SCALE 4:1



TITLE: SFP Cage one-Piece Press Fit Pins Raised Upper Tabs

DWG#: R-SH-008020-18

SHEET: 1/4
REV. B

UNIT: mm
SCALE: A4 5:4

FINISH: CHECKED: Gary Kang

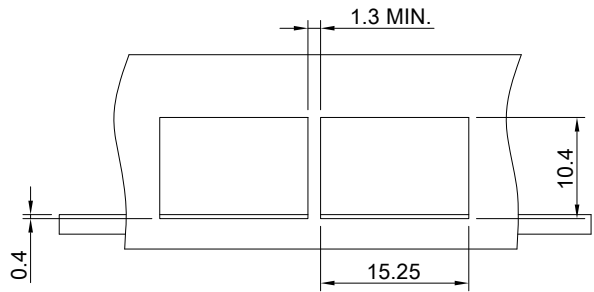
THIRD ANGLE PROJECTION

MATERIAL: RoHS Compliant
APPROVED: George Yang

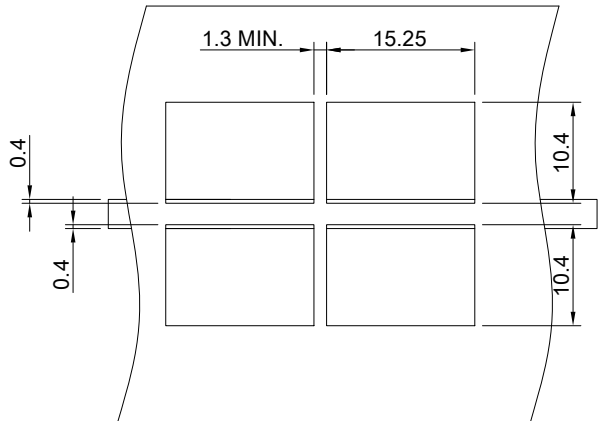
TOLERANCE: Angle: ± 1°
X ± 0.25 .X ± 0.20 .XX ± 0.15

DRAWN: Ting
DATE: 08/16/2022

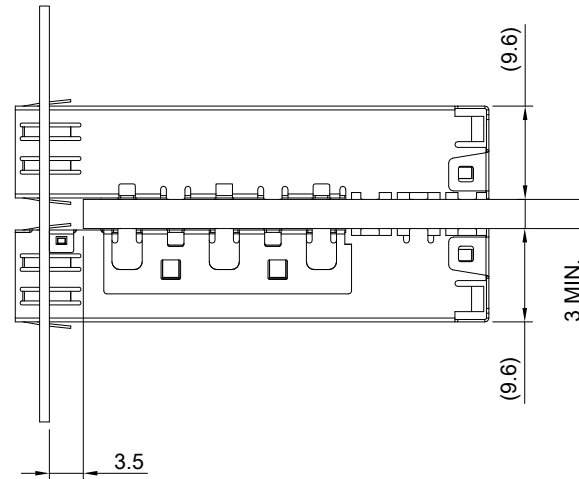
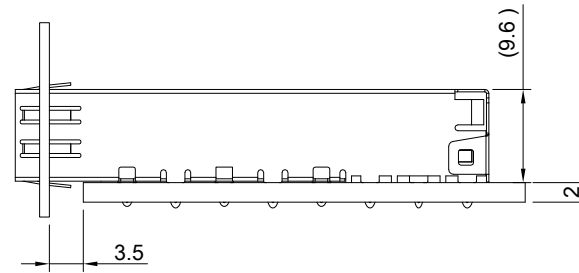
A B C D E F G H


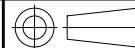


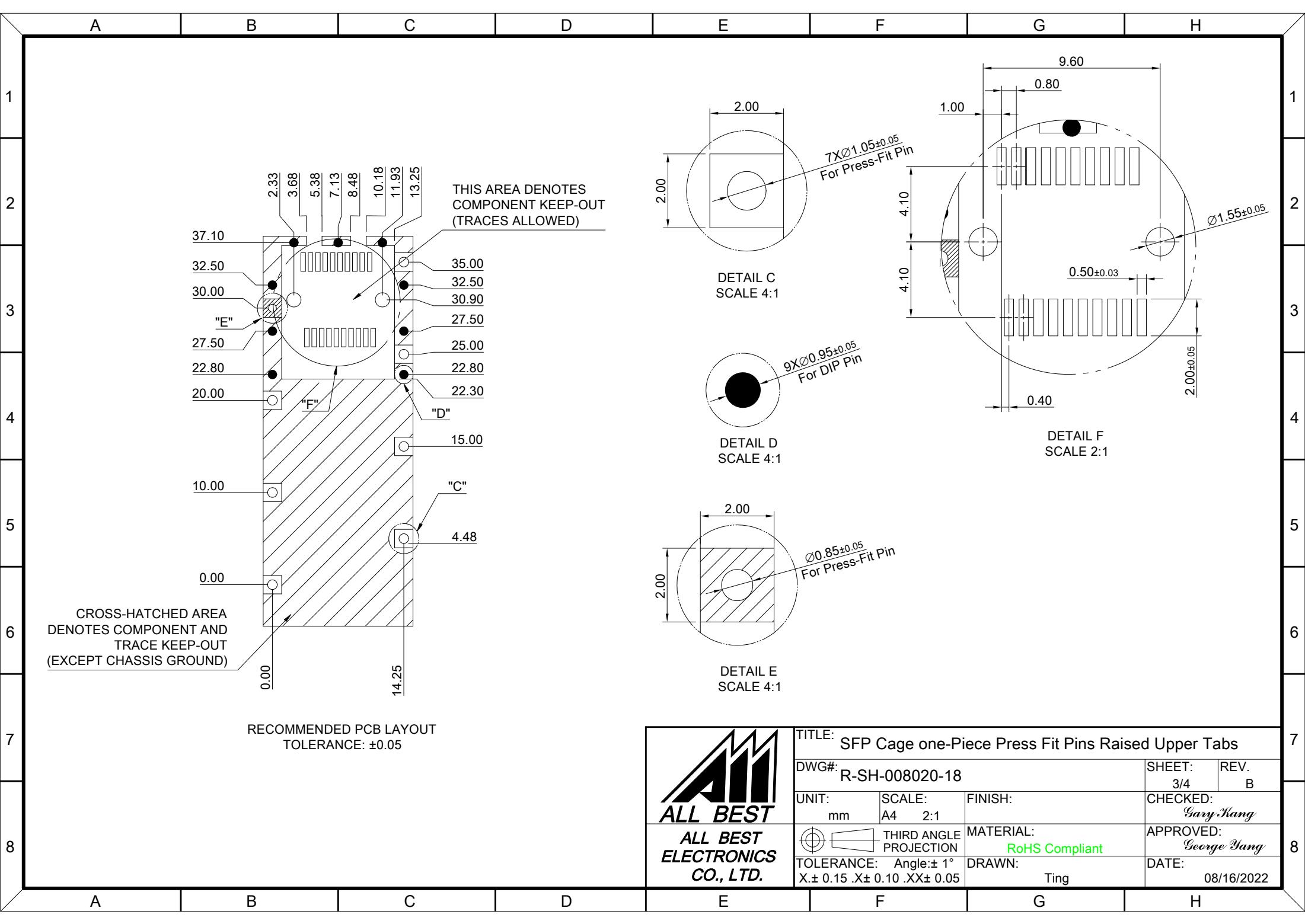
RECOMMENDED BEZEL CUT-OUT



RECOMMENDED BEZEL CUT-OUT FOR BELLY TO BELLY MOUNTING



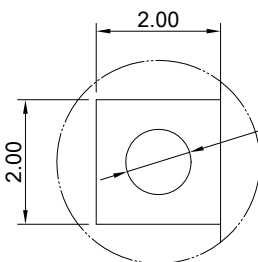
 ALL BEST ELECTRONICS CO., LTD.	TITLE: SFP Cage one-Piece Press Fit Pins Raised Upper Tabs			SHEET: 2/4		REV. B
	DWG#: R-SH-008020-18			CHECKED: Gary Kang		
	UNIT: mm	SCALE: A4 5:4	FINISH:	APPROVED: George Yang		
	TOLERANCE: Angle: $\pm 1^\circ$ $X \pm 0.25$. $X \pm 0.20$. $XX \pm 0.15$		MATERIAL: RoHS Compliant	DATE: 08/16/2022		
 THIRD ANGLE PROJECTION		DRAWN: Ting				



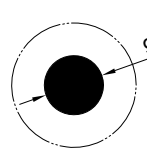
CROSS-HATCHED AREA
DENOTES COMPONENT AND
TRACE KEEP-OUT
(EXCEPT CHASSIS GROUND)

THIS AREA DENOTES
COMPONENT KEEP-OUT
(TRACES ALLOWED)

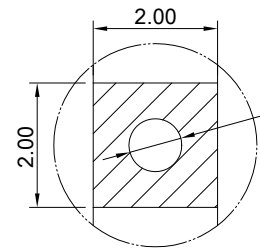
RECOMMENDED PCB LAYOUT
TOLERANCE: ±0.05



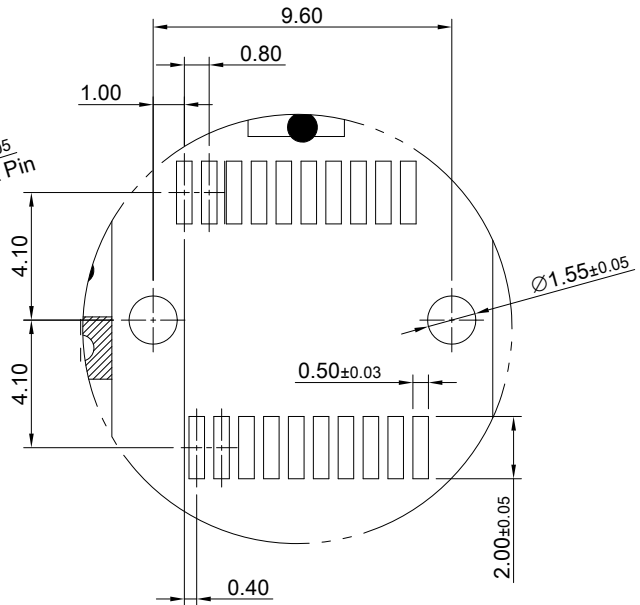
DETAIL C
SCALE 4:1



DETAIL D
SCALE 4:1



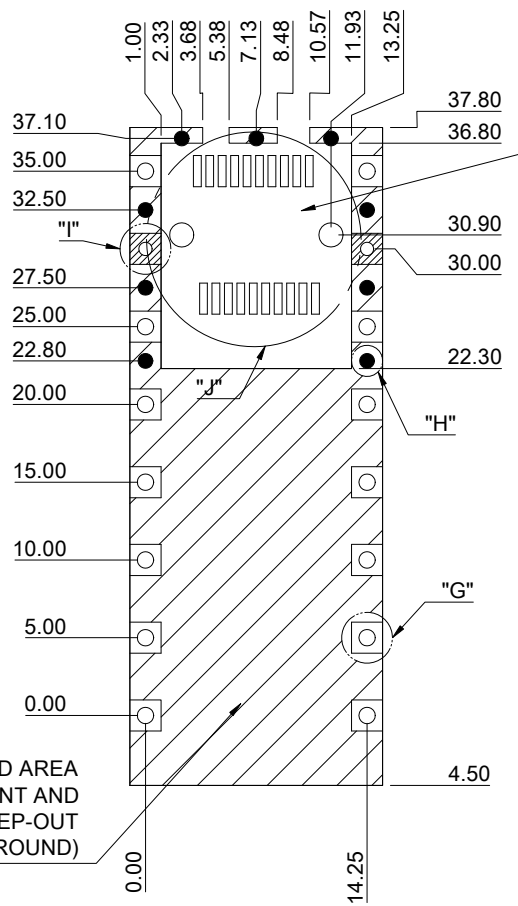
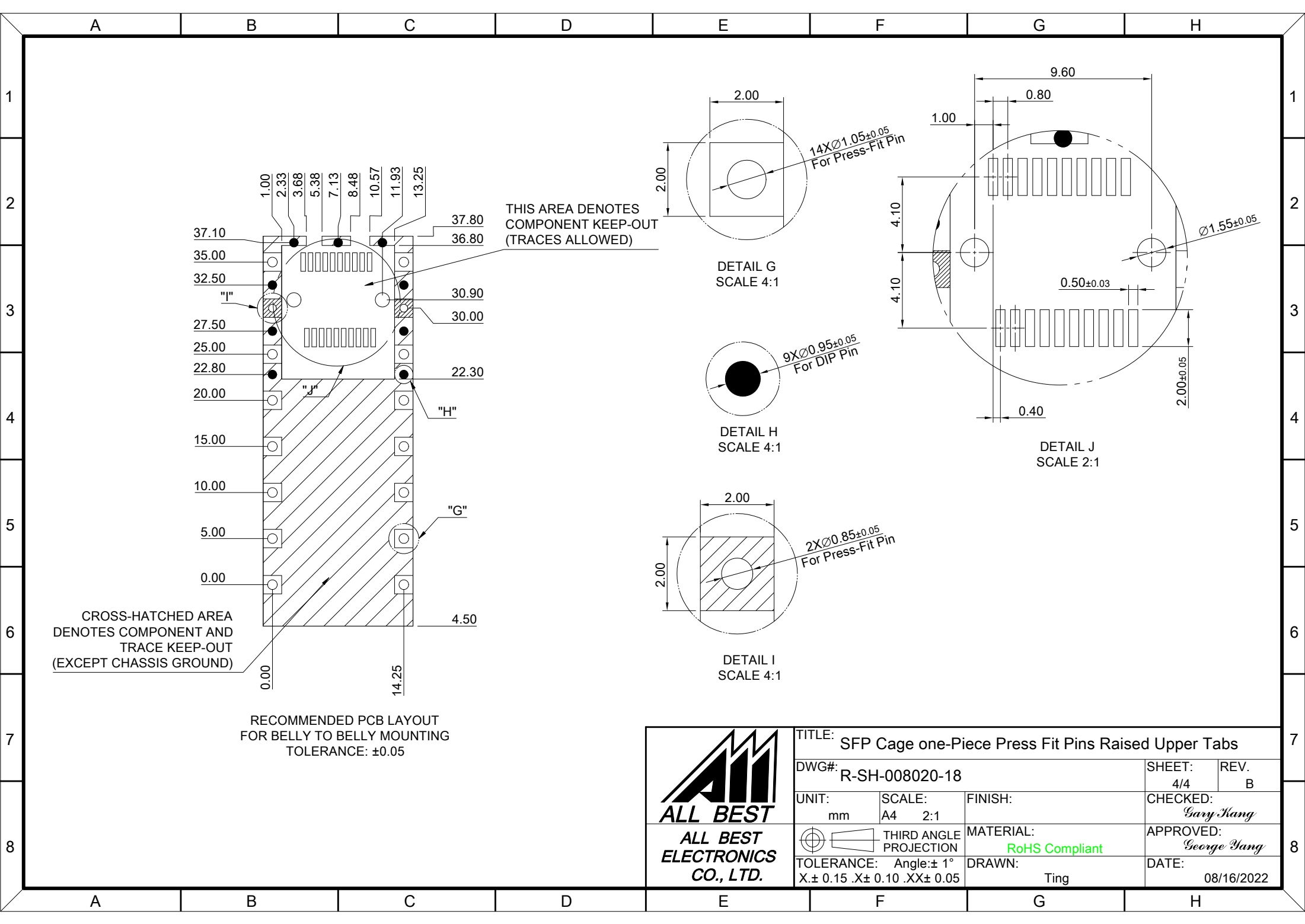
DETAIL E
SCALE 4:1



DETAIL F
SCALE 2:1



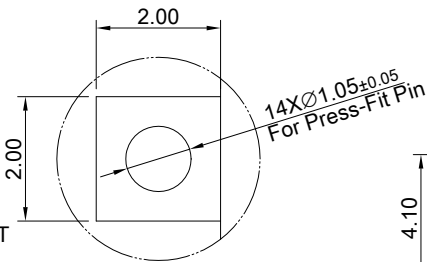
TITLE: SFP Cage one-piece Press Fit Pins Raised Upper Tabs			
DWG#: R-SH-008020-18		SHEET: 3/4	REV. B
UNIT: mm	SCALE: A4 2:1	FINISH:	CHECKED: Gary Kang
THIRD ANGLE PROJECTION		MATERIAL: RoHS Compliant	APPROVED: George Yang
TOLERANCE: Angle: ± 1° X ± 0.15 .X ± 0.10 .XX ± 0.05		DRAWN: Ting	DATE: 08/16/2022



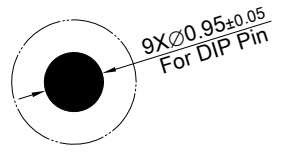
THIS AREA DENOTES
COMPONENT KEEP-OUT
(TRACES ALLOWED)

CROSS-HATCHED AREA
DENOTES COMPONENT AND
TRACE KEEP-OUT
(EXCEPT CHASSIS GROUND)

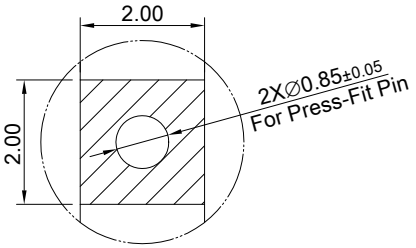
RECOMMENDED PCB LAYOUT
FOR BELLY TO BELLY MOUNTING
TOLERANCE: ±0.05



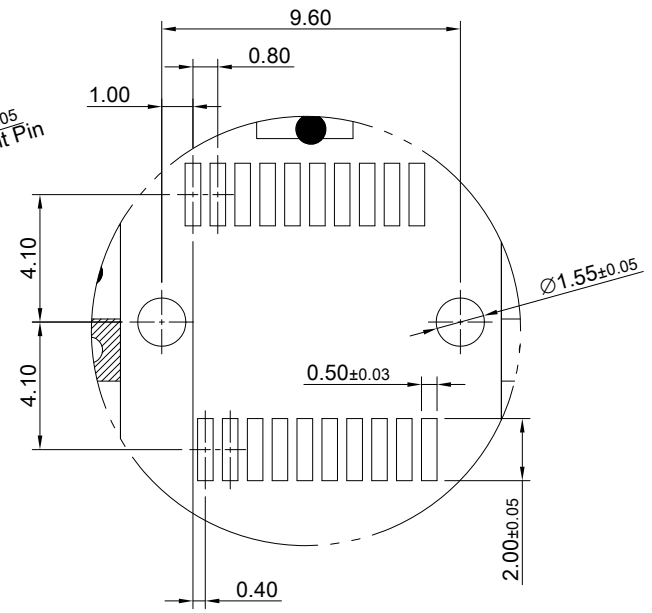
DETAIL G
SCALE 4:1



DETAIL H
SCALE 4:1



DETAIL I
SCALE 4:1



DETAIL J
SCALE 2:1



TITLE: SFP Cage one-Piece Press Fit Pins Raised Upper Tabs			
DWG#: R-SH-008020-18		SHEET: 4/4	REV. B
UNIT: mm	SCALE: A4 2:1	FINISH:	CHECKED: Gary Kang
THIRD ANGLE PROJECTION		MATERIAL: RoHS Compliant	APPROVED: George Yang
TOLERANCE: Angle: ±1° X ± 0.15 .X ± 0.10 .XX ± 0.05		DRAWN: Ting	DATE: 08/16/2022