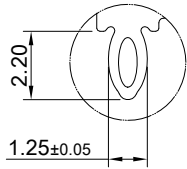
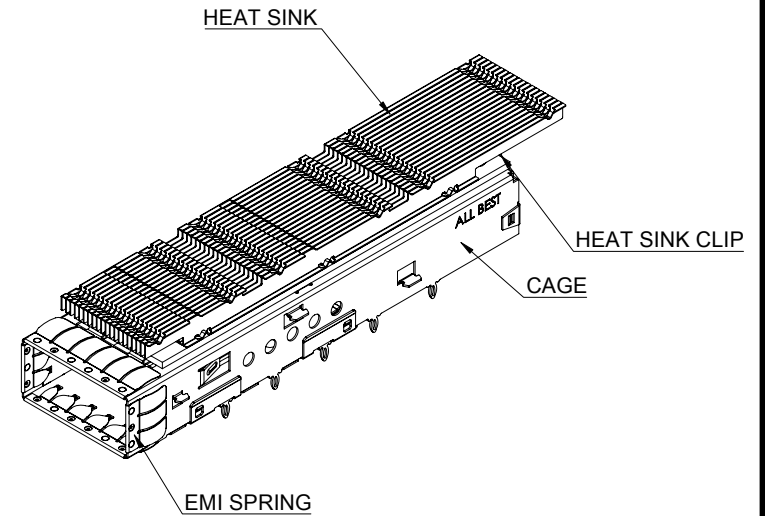


(20.52)



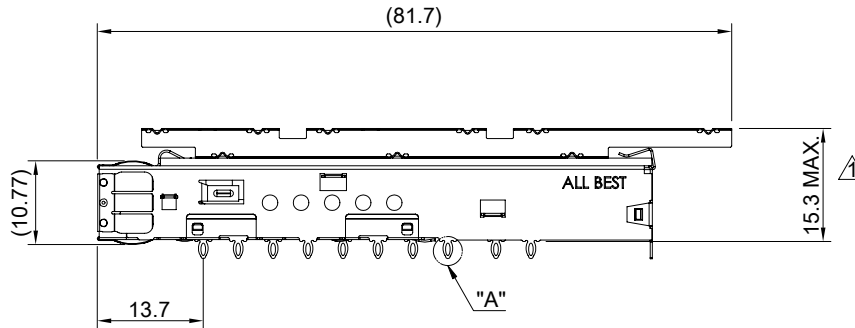
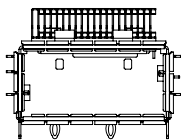
DETAIL A
SCALE 4:1



MATERIAL
 CAGE: NICKEL SILVER
 EMI SPRING: STAINLESS STEEL
 HEAT SINK: COPPER ALLOY
 HEAT SINK CLIP: STAINLESS STEEL

FINISH
 HEAT SINK: NICKEL OVER COPPER

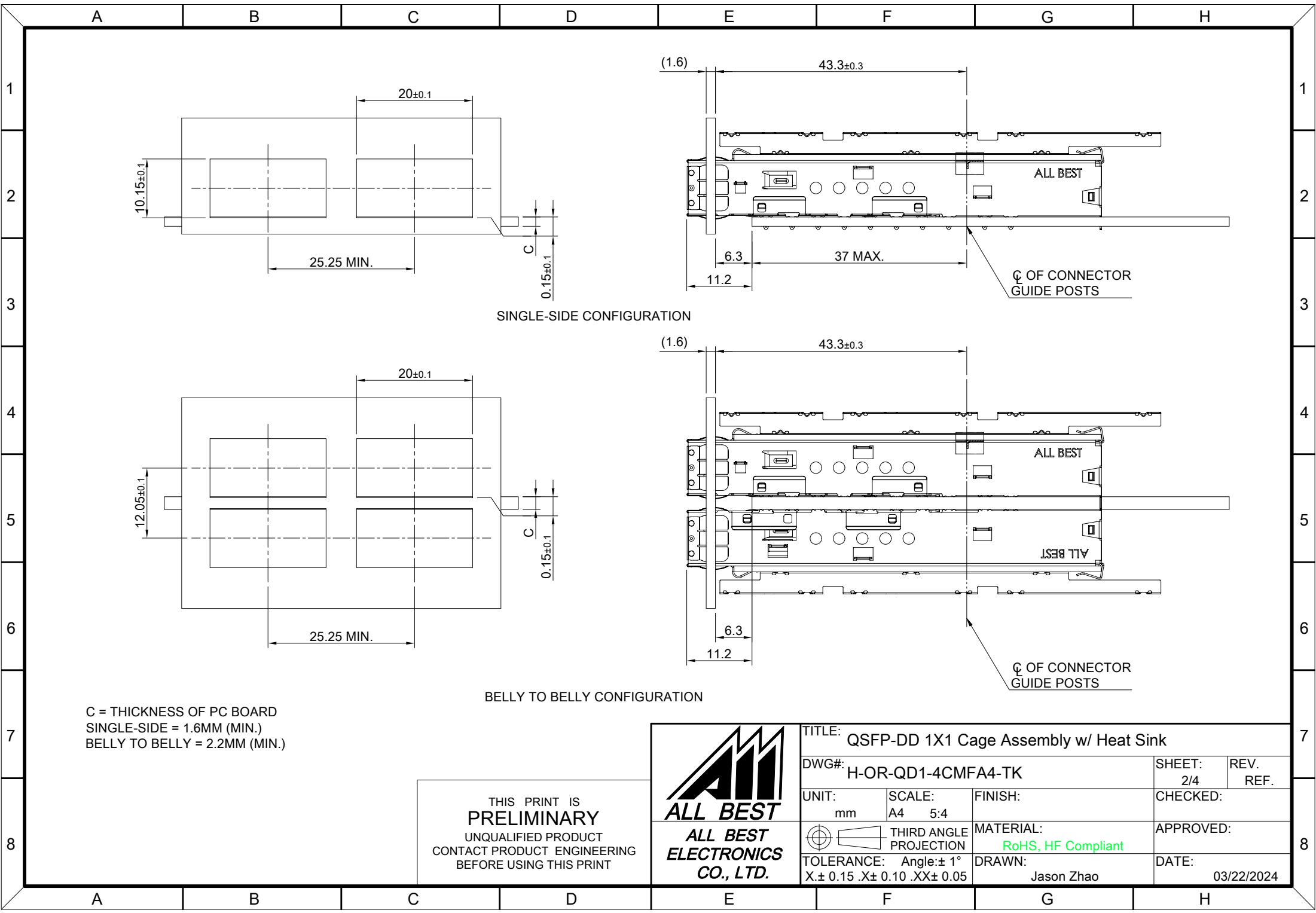
NOTE
 ▲ DIMENSION APPLIES WITH MODULE INSERTED IN CAGE



THIS PRINT IS
PRELIMINARY
 UNQUALIFIED PRODUCT
 CONTACT PRODUCT ENGINEERING
 BEFORE USING THIS PRINT



TITLE: QSFP-DD 1X1 Cage Assembly w/ Heat Sink			
DWG#: H-OR-QD1-4CMFA4-TK		SHEET: 1/4	REV. REF.
UNIT: mm	SCALE: A4 1:1	CHECKED:	
THIRD ANGLE PROJECTION		APPROVED:	
TOLERANCE: Angle: ± 1°		MATERIAL: RoHS, HF Compliant	DATE: 03/22/2024
X.± 0.25 .X± 0.20 .XX± 0.15		DRAWN: Jason Zhao	



C = THICKNESS OF PC BOARD
 SINGLE-SIDE = 1.6MM (MIN.)
 BELLY TO BELLY = 2.2MM (MIN.)

BELLY TO BELLY CONFIGURATION

THIS PRINT IS
PRELIMINARY
 UNQUALIFIED PRODUCT
 CONTACT PRODUCT ENGINEERING
 BEFORE USING THIS PRINT



TITLE: QSFP-DD 1X1 Cage Assembly w/ Heat Sink

DWG#: H-OR-QD1-4CMFA4-TK

SHEET: 2/4
 REV. REF.

UNIT: mm
 SCALE: A4 5:4

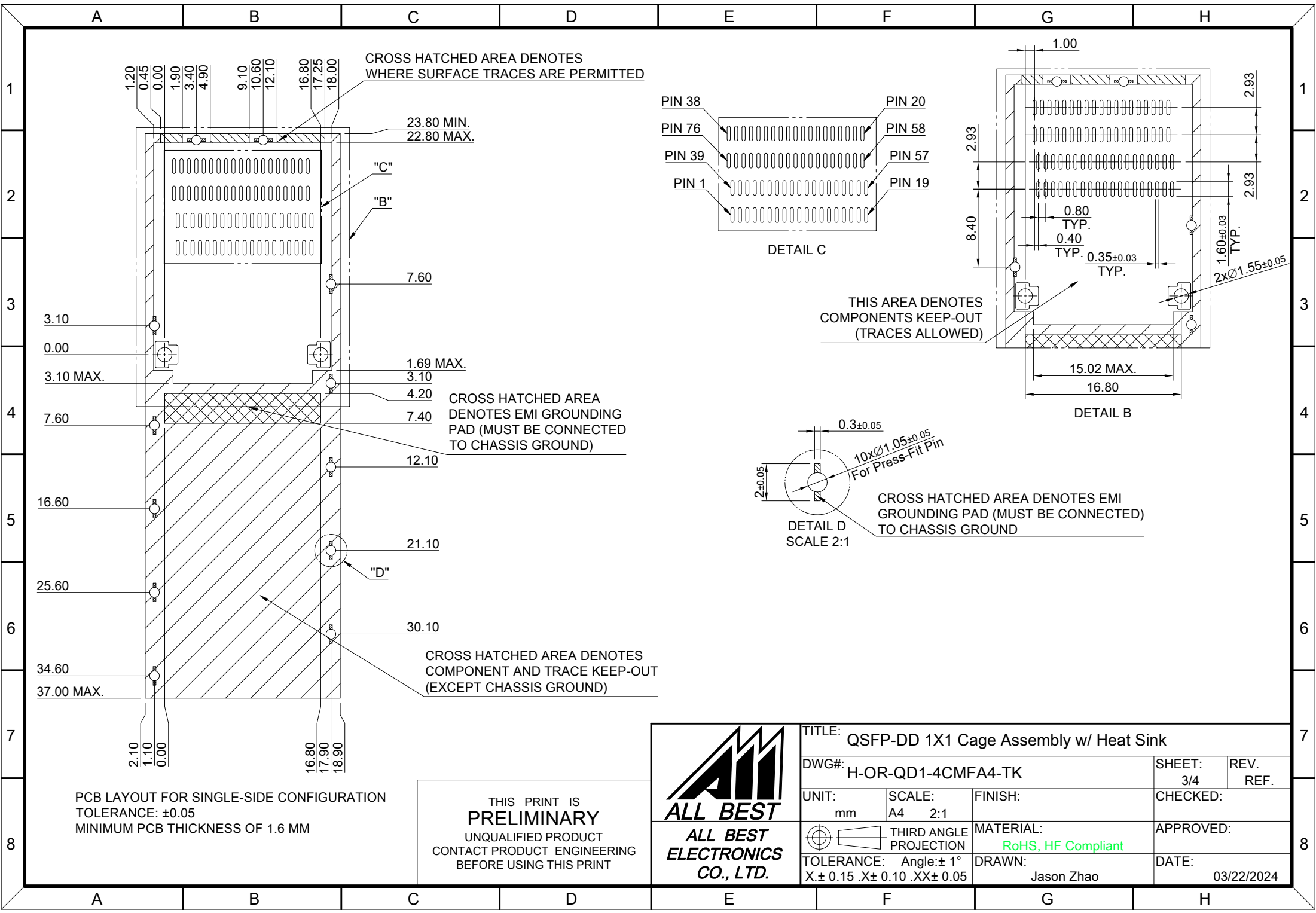
FINISH: MATERIAL:
 RoHS, HF Compliant

CHECKED:
 APPROVED:

THIRD ANGLE PROJECTION
 TOLERANCE: Angle: ± 1°
 X: ± 0.15 .X: ± 0.10 .XX: ± 0.05

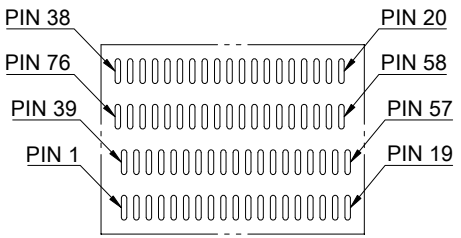
DRAWN: Jason Zhao

DATE: 03/22/2024

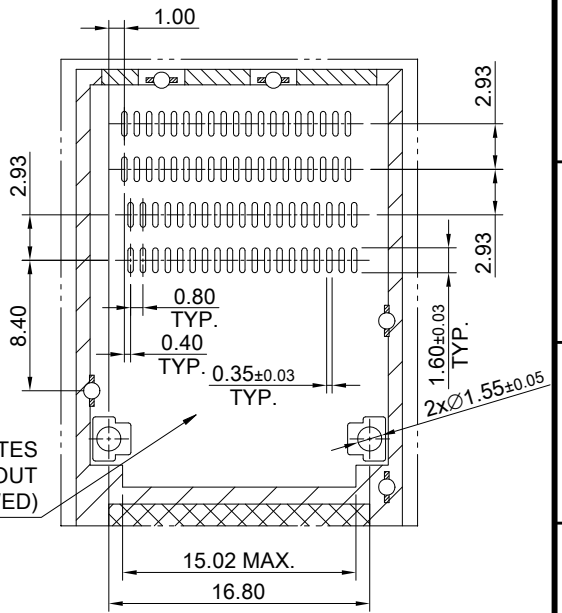


CROSS HATCHED AREA DENOTES WHERE SURFACE TRACES ARE PERMITTED

23.80 MIN.
22.80 MAX.

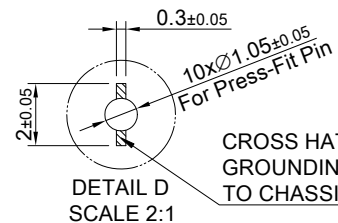


DETAIL C



DETAIL B

THIS AREA DENOTES COMPONENTS KEEP-OUT (TRACES ALLOWED)



DETAIL D SCALE 2:1

CROSS HATCHED AREA DENOTES EMI GROUNDING PAD (MUST BE CONNECTED TO CHASSIS GROUND)

CROSS HATCHED AREA DENOTES EMI GROUNDING PAD (MUST BE CONNECTED TO CHASSIS GROUND)

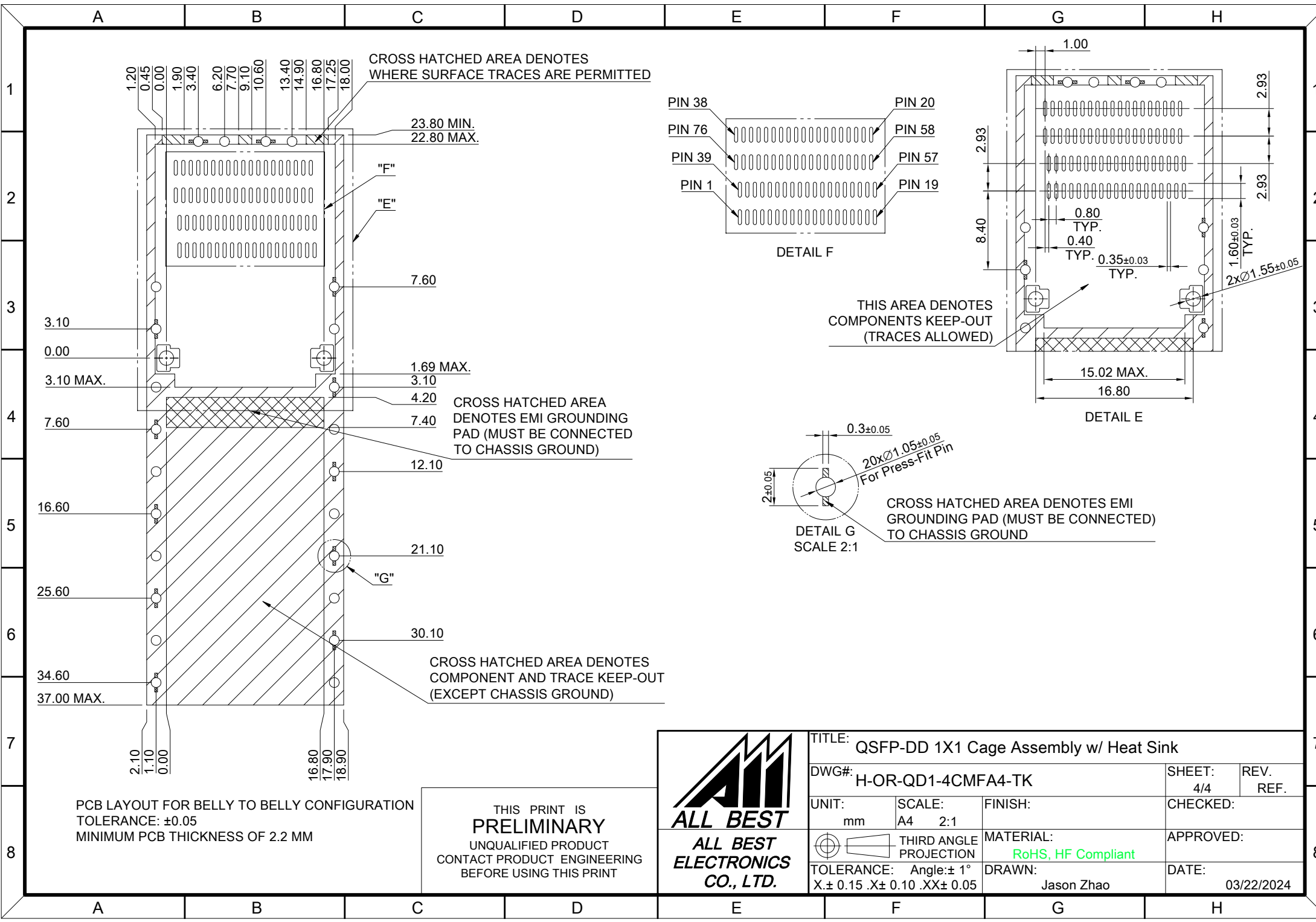
CROSS HATCHED AREA DENOTES COMPONENT AND TRACE KEEP-OUT (EXCEPT CHASSIS GROUND)

PCB LAYOUT FOR SINGLE-SIDE CONFIGURATION
TOLERANCE: ±0.05
MINIMUM PCB THICKNESS OF 1.6 MM

THIS PRINT IS PRELIMINARY
UNQUALIFIED PRODUCT
CONTACT PRODUCT ENGINEERING
BEFORE USING THIS PRINT



TITLE: QSFP-DD 1X1 Cage Assembly w/ Heat Sink			
DWG#: H-OR-QD1-4CMFA4-TK		SHEET: 3/4	REV. REF.
UNIT: mm	SCALE: A4 2:1	CHECKED:	
TOLERANCE: X±0.15 .X±0.10 .XX±0.05		MATERIAL: RoHS, HF Compliant	APPROVED:
THIRD ANGLE PROJECTION		DRAWN: Jason Zhao	DATE: 03/22/2024



PCB LAYOUT FOR BELLY TO BELLY CONFIGURATION
 TOLERANCE: ±0.05
 MINIMUM PCB THICKNESS OF 2.2 MM

THIS PRINT IS
PRELIMINARY
 UNQUALIFIED PRODUCT
 CONTACT PRODUCT ENGINEERING
 BEFORE USING THIS PRINT



TITLE: QSFP-DD 1X1 Cage Assembly w/ Heat Sink			
DWG#: H-OR-QD1-4CMFA4-TK		SHEET: 4/4	REV. REF.
UNIT: mm	SCALE: A4 2:1	FINISH:	CHECKED:
THIRD ANGLE PROJECTION		MATERIAL: RoHS, HF Compliant	APPROVED:
TOLERANCE: X± 0.15 .XX± 0.10 .XX± 0.05		DRAWN: Jason Zhao	DATE: 03/22/2024