

A

B

C

D

E

F

G

H

1

1

2

2

3

3

4

4

5

5

6

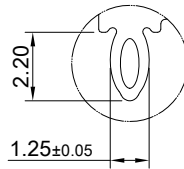
6

7

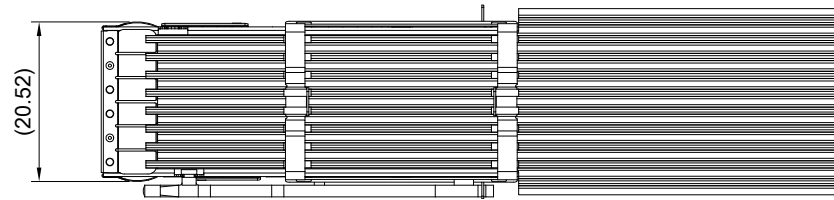
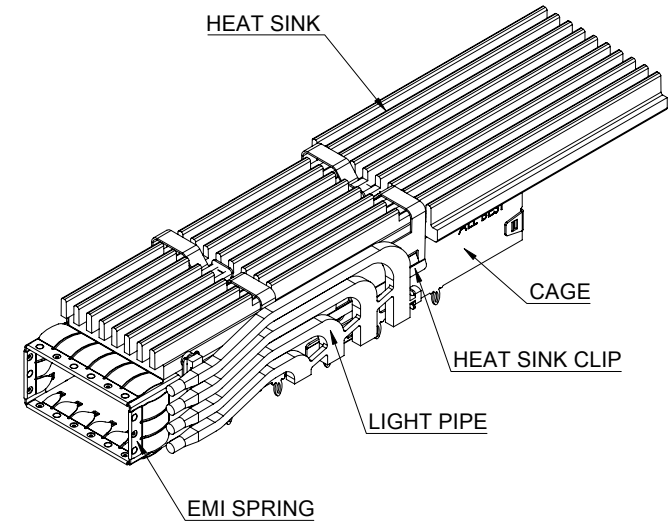
7

8

8



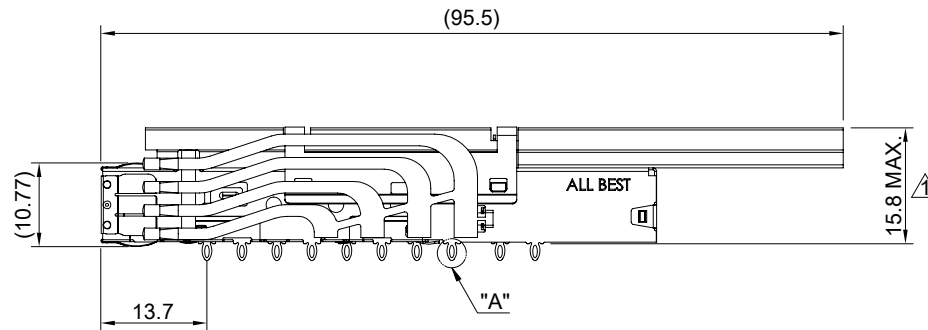
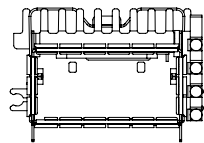
DETAIL A
SCALE 4:1



MATERIAL
 CAGE: NICKEL SILVER
 EMI SPRING: STAINLESS STEEL
 HEAT SINK: ALUMINUM
 HEAT SINK CLIP: STAINLESS STEEL
 LIGHT PIPE: PC

FINISH
 HEAT SINK: ANODE PROCESS

NOTE
 ▲ DIMENSION APPLIES WITH MODULE INSERTED IN CAGE



THIS PRINT IS
PRELIMINARY
 UNQUALIFIED PRODUCT
 CONTACT PRODUCT ENGINEERING
 BEFORE USING THIS PRINT



TITLE: QSFP-DD 1X1 Cage Assembly w/ Heat Sink & Light Pipe

DWG#: R-OR-QD1-4CME6-MKR4

SHEET: 1/4
 REV. REF.

UNIT: mm
 SCALE: A4 1:1

FINISH: CHECKED:

THIRD ANGLE PROJECTION

MATERIAL: APPROVED:

TOLERANCE: Angle: ± 1°
 X ± 0.25 .X ± 0.20 .XX ± 0.15

DRAWN: Jason Zhao

DATE: 03/22/2024

A

B

C

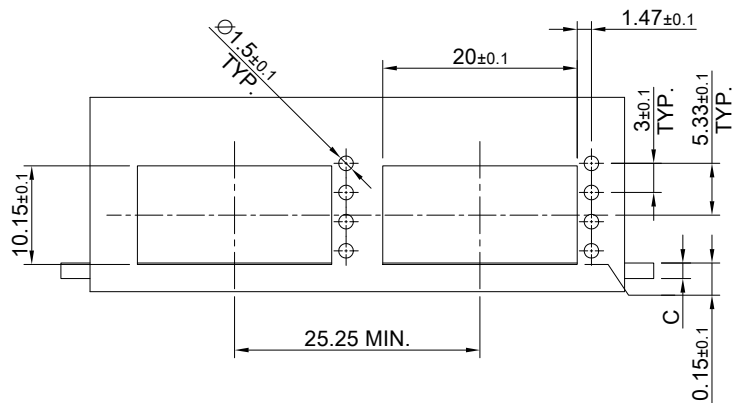
D

E

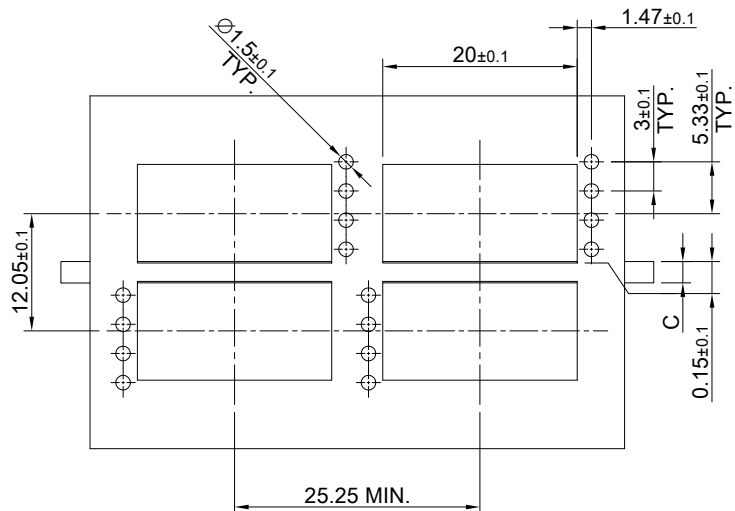
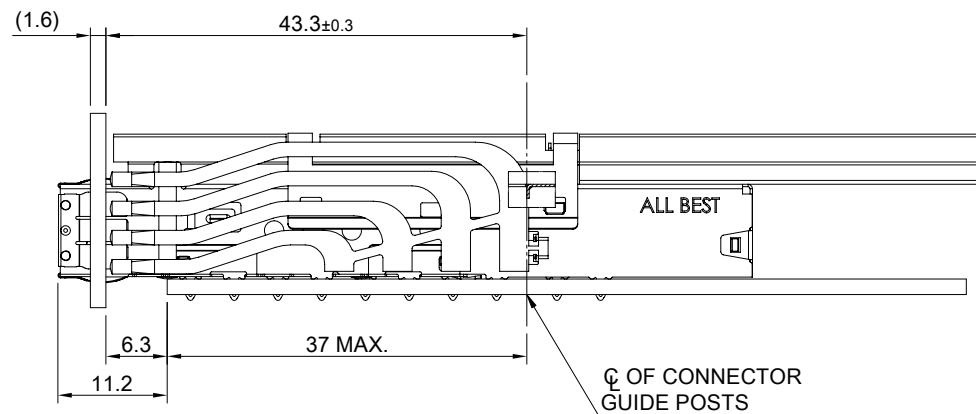
F

G

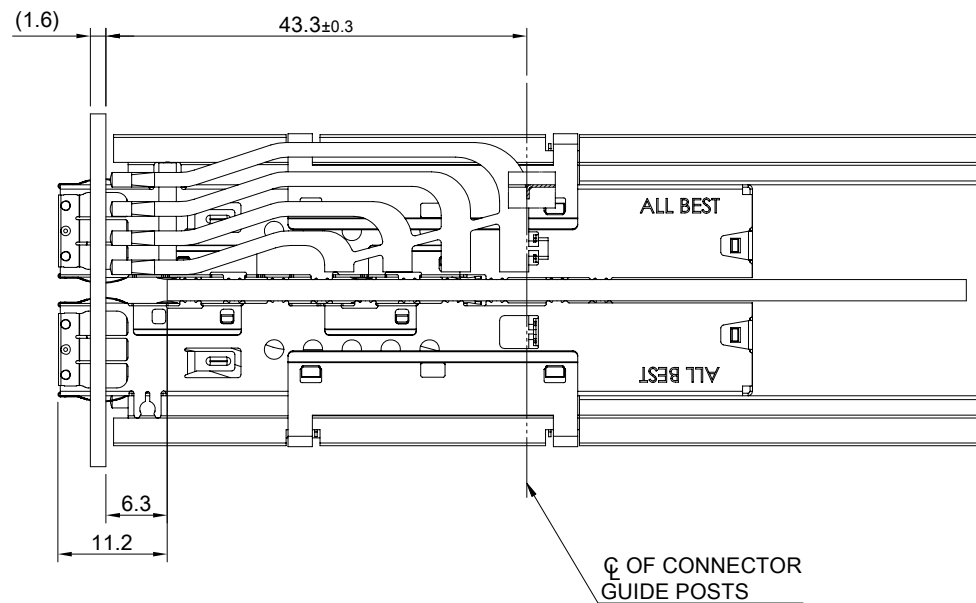
H



SINGLE-SIDE CONFIGURATION



BELLY TO BELLY CONFIGURATION



C = THICKNESS OF PC BOARD
 SINGLE-SIDE = 1.6MM (MIN.)
 BELLY TO BELLY = 2.2MM (MIN.)

THIS PRINT IS
PRELIMINARY
 UNQUALIFIED PRODUCT
 CONTACT PRODUCT ENGINEERING
 BEFORE USING THIS PRINT



TITLE: QSFP-DD 1X1 Cage Assembly w/ Heat Sink & Light Pipe

DWG#: R-OR-QD1-4CME6-MKR4

UNIT: mm

SCALE: A4 5:4

FINISH:

SHEET: 2/4
 REV. REF.

THIRD ANGLE PROJECTION

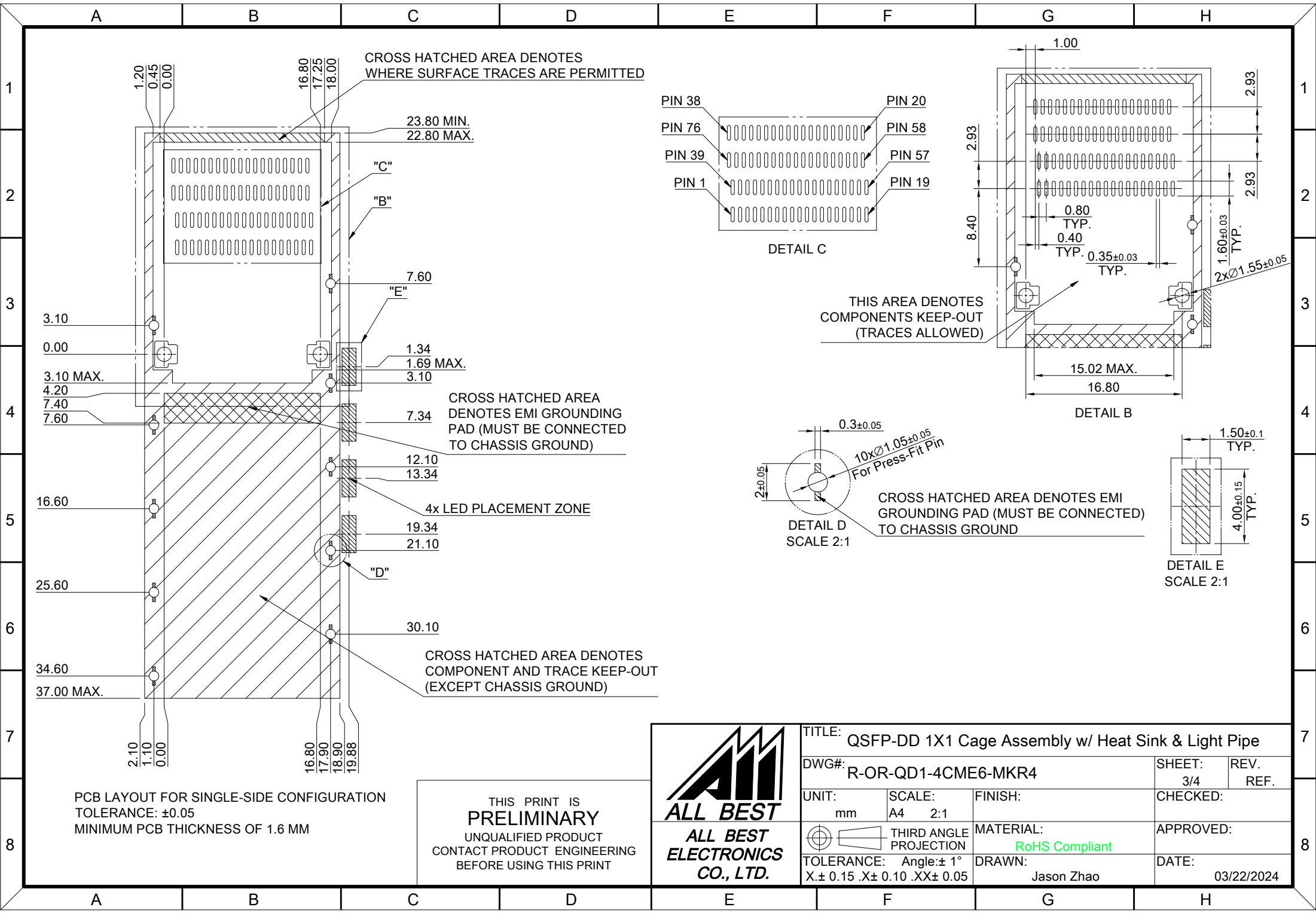
MATERIAL:
 RoHS Compliant

APPROVED:

TOLERANCE: Angle: ± 1°
 X: ± 0.15 .X: ± 0.10 .XX: ± 0.05

DRAWN:
 Jason Zhao

DATE:
 03/22/2024

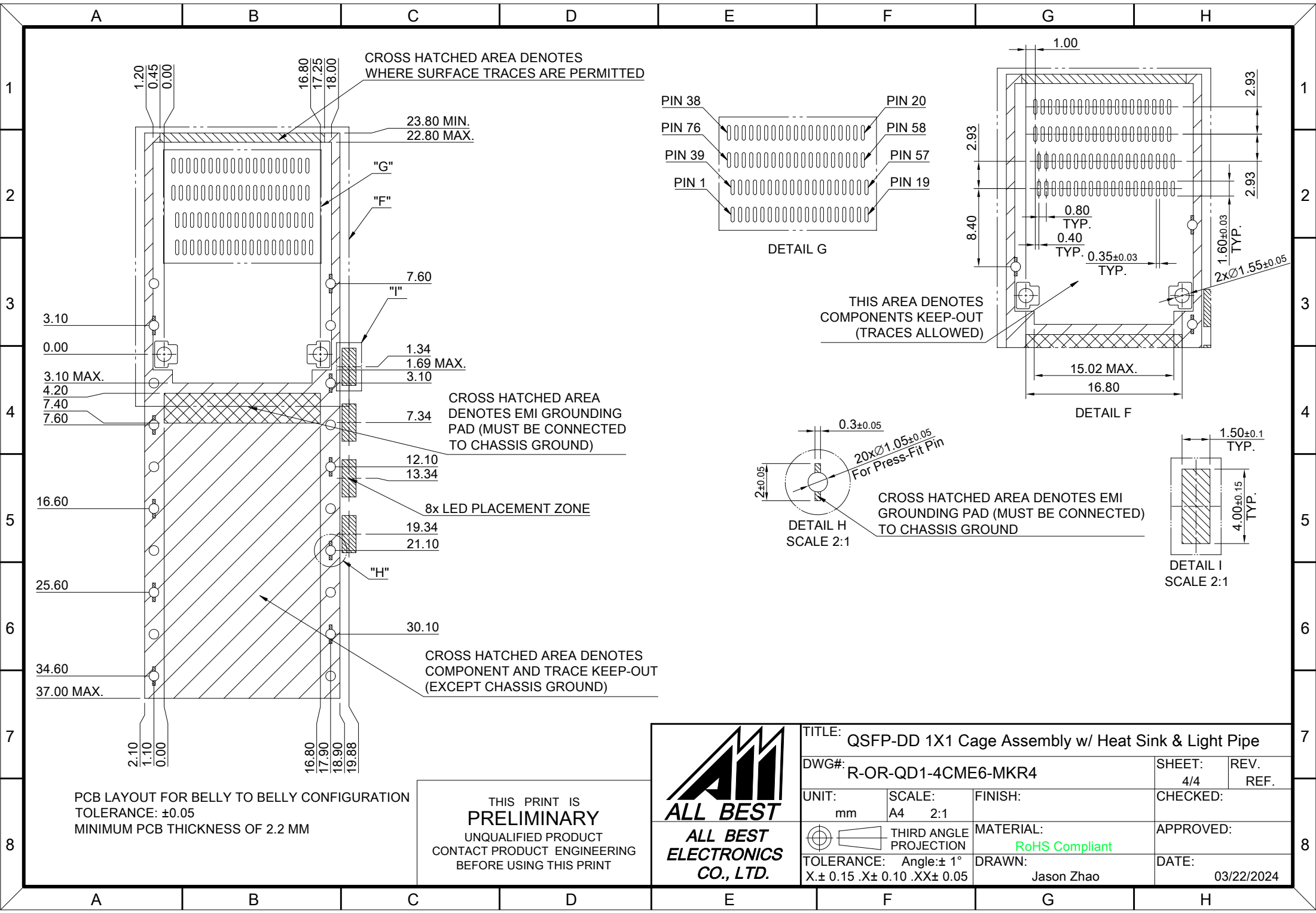


PCB LAYOUT FOR SINGLE-SIDE CONFIGURATION
 TOLERANCE: ±0.05
 MINIMUM PCB THICKNESS OF 1.6 MM

THIS PRINT IS
PRELIMINARY
 UNQUALIFIED PRODUCT
 CONTACT PRODUCT ENGINEERING
 BEFORE USING THIS PRINT



TITLE: QSFP-DD 1X1 Cage Assembly w/ Heat Sink & Light Pipe			
DWG#: R-OR-QD1-4CME6-MKR4		SHEET: 3/4	REV. REF.
UNIT: mm	SCALE: A4 2:1	FINISH:	CHECKED:
THIRD ANGLE PROJECTION TOLERANCE: Angle: ±1° X: ±0.15 .X±0.10 .XX±0.05		MATERIAL: RoHS Compliant	APPROVED:
DRAWN: Jason Zhao		DATE: 03/22/2024	



PCB LAYOUT FOR BELLY TO BELLY CONFIGURATION
 TOLERANCE: ±0.05
 MINIMUM PCB THICKNESS OF 2.2 MM

THIS PRINT IS
PRELIMINARY
 UNQUALIFIED PRODUCT
 CONTACT PRODUCT ENGINEERING
 BEFORE USING THIS PRINT



TITLE: QSFP-DD 1X1 Cage Assembly w/ Heat Sink & Light Pipe			
DWG#: R-OR-QD1-4CME6-MKR4		SHEET: 4/4	REV. REF.
UNIT: mm	SCALE: A4 2:1	CHECKED:	
THIRD ANGLE PROJECTION		MATERIAL: RoHS Compliant	APPROVED:
TOLERANCE: Angle: ± 1° X: ± 0.15 .X ± 0.10 .XX ± 0.05		DRAWN: Jason Zhao	DATE: 03/22/2024