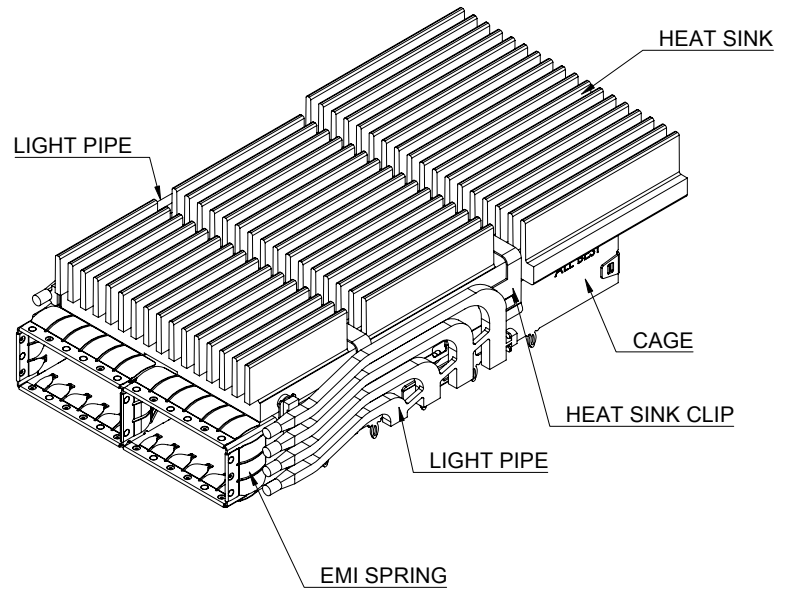
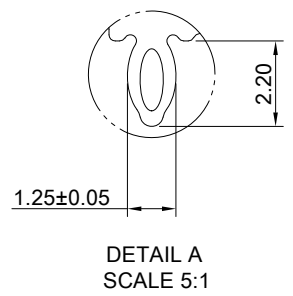
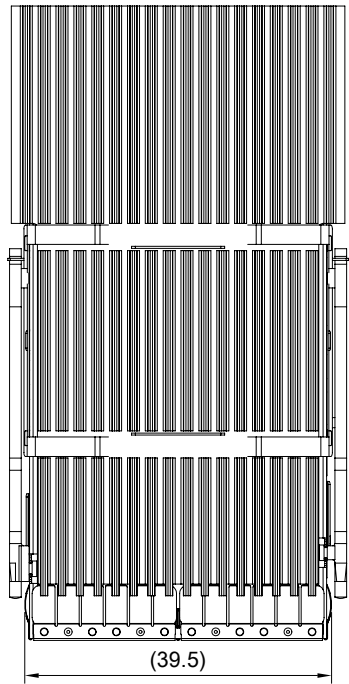


A B C D E F G H

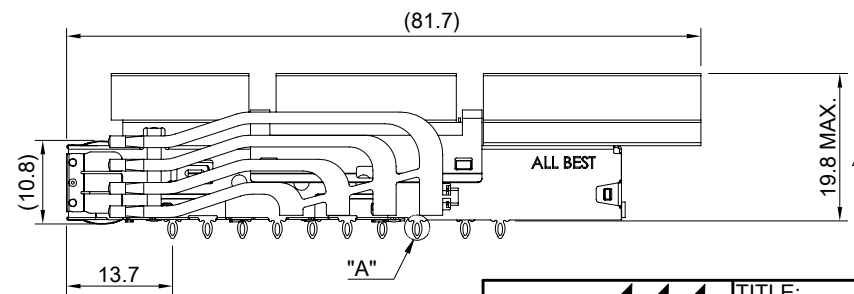
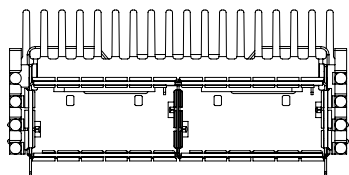
1
2
3
4
5
6
7
8



MATERIAL
 CAGE: NICKEL SILVER
 HEAT SINK: ALUMINUM
 HEAT SINK CLIP: STAINLESS STEEL
 EMI SPRING: STAINLESS STEEL
 LIGHT PIPE: PC

FINISH
 HEAT SINK: ANODE PROCESS

NOTE
 ▲ DIMENSION APPLIES WITH MODULE INSERTED IN CAGE

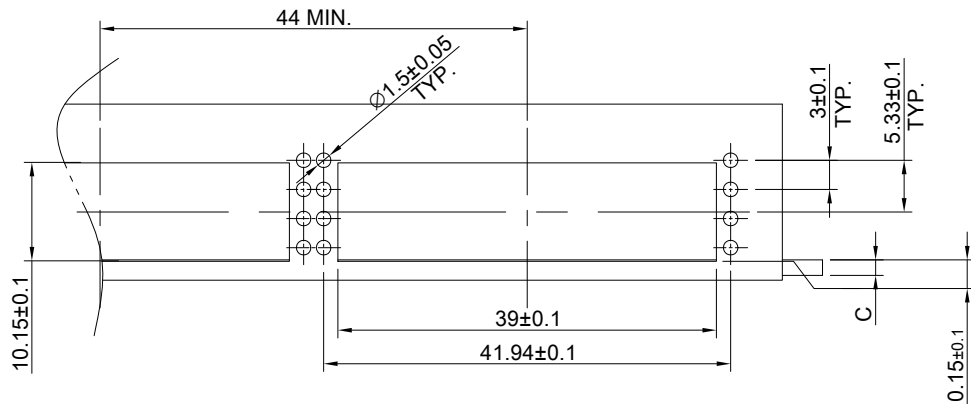


THIS PRINT IS
PRELIMINARY
 UNQUALIFIED PRODUCT
 CONTACT PRODUCT ENGINEERING
 BEFORE USING THIS PRINT

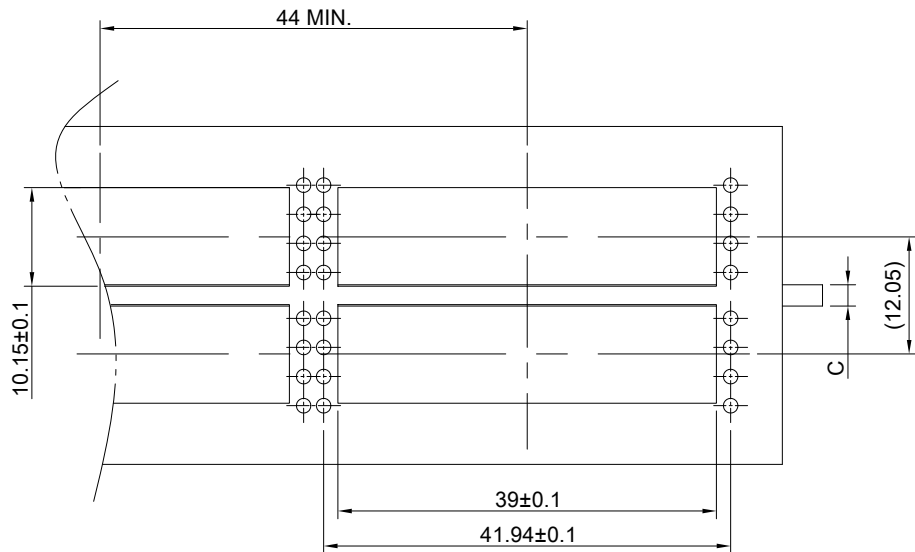


TITLE: QSFP-DD 1X2 Cage w/ Heat Sink & Light Pipe			
DWG#: R-OR-DQD2-4CME5-MKLR4		SHEET: 1/4	REV. REF.
UNIT: mm	SCALE: A4 1:1	CHECKED:	
THIRD ANGLE PROJECTION		APPROVED:	
TOLERANCE: Angle: ± 1°		MATERIAL: RoHS Compliant	DATE: 03/22/2024
X: ± 0.25 .X: ± 0.20 .XX: ± 0.15		DRAWN: Jason Zhao	

A B C D E F G H

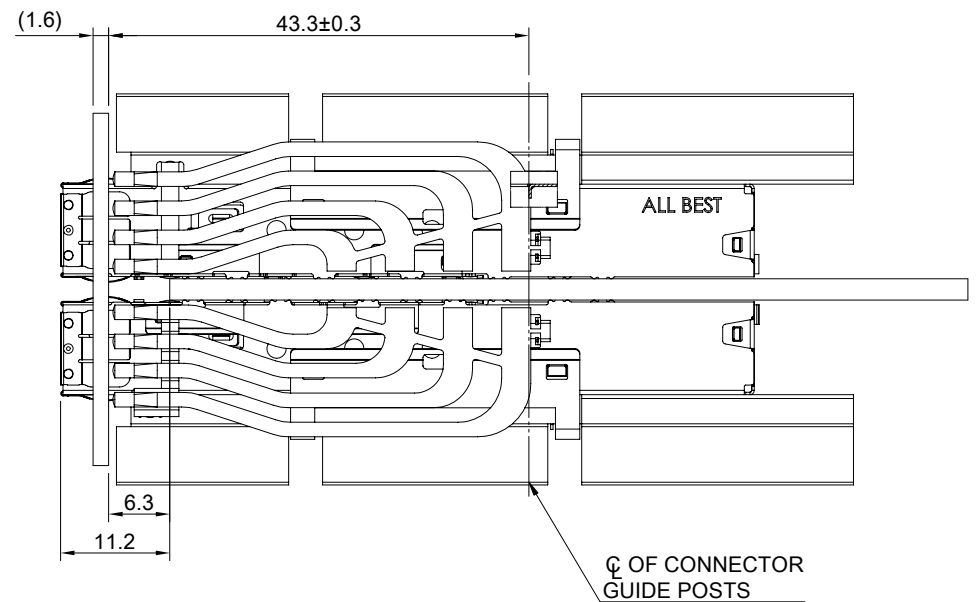
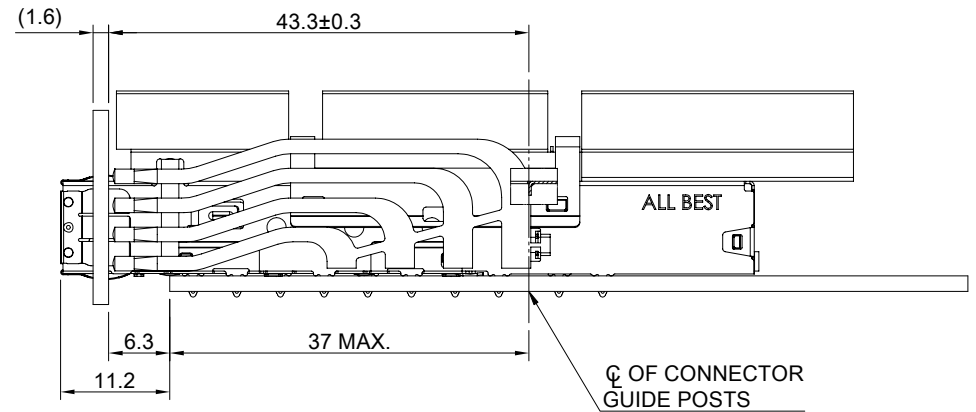


SINGLE-SIDE CONFIGURATION



BELLY TO BELLY CONFIGURATION

C = THICKNESS OF PC BOARD
 SINGLE-SIDE = 1.6MM (MIN.)
 BELLY TO BELLY = 2.2MM (MIN.)



THIS PRINT IS
PRELIMINARY
 UNQUALIFIED PRODUCT
 CONTACT PRODUCT ENGINEERING
 BEFORE USING THIS PRINT



TITLE: QSFP-DD 1X2 Cage w/ Heat Sink & Light Pipe

DWG#: R-OR-DQD2-4CME5-MKLR4

SHEET: 2/4
 REV. REF.

UNIT: mm
 SCALE: A4 5:4

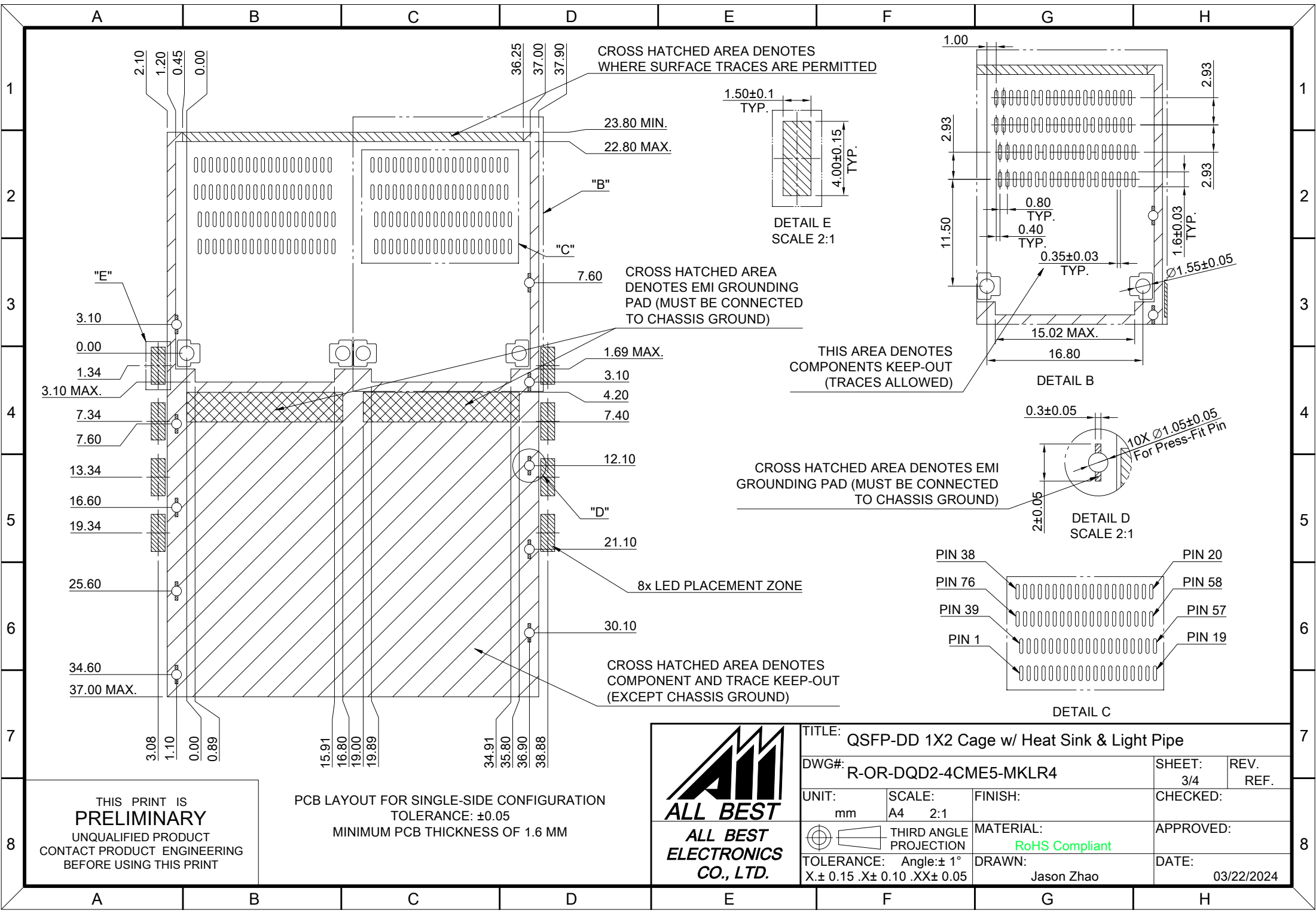
FINISH: CHECKED:

THIRD ANGLE PROJECTION

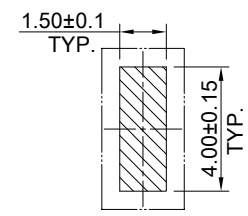
MATERIAL: RoHS Compliant
 APPROVED:

TOLERANCE: Angle: ± 1°
 X ± 0.15 .X ± 0.10 .XX ± 0.05

DRAWN: Jason Zhao
 DATE: 03/22/2024



CROSS HATCHED AREA DENOTES WHERE SURFACE TRACES ARE PERMITTED

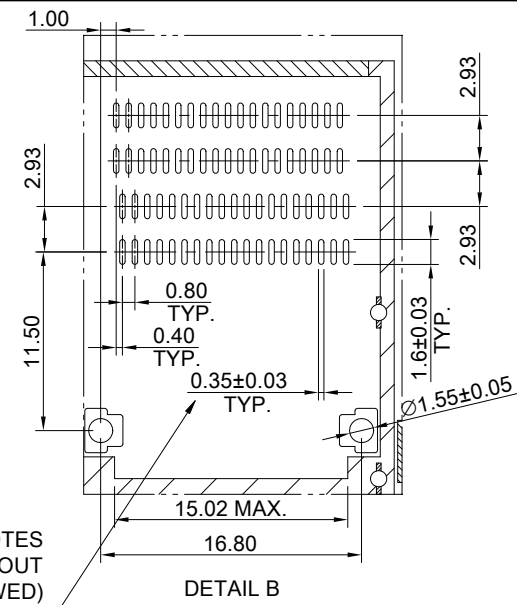


DETAIL E
SCALE 2:1

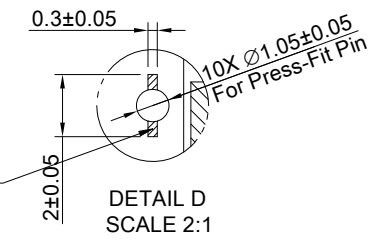
CROSS HATCHED AREA DENOTES EMI GROUNDING PAD (MUST BE CONNECTED TO CHASSIS GROUND)

THIS AREA DENOTES COMPONENTS KEEP-OUT (TRACES ALLOWED)

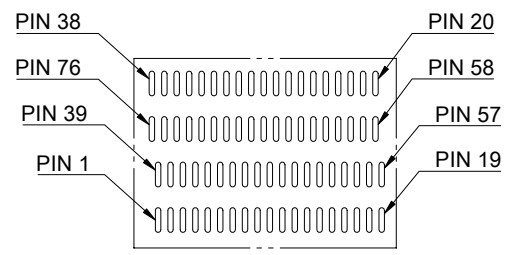
CROSS HATCHED AREA DENOTES EMI GROUNDING PAD (MUST BE CONNECTED TO CHASSIS GROUND)



DETAIL B



DETAIL D
SCALE 2:1



DETAIL C

"E"

"B"

"C"

"D"

8x LED PLACEMENT ZONE

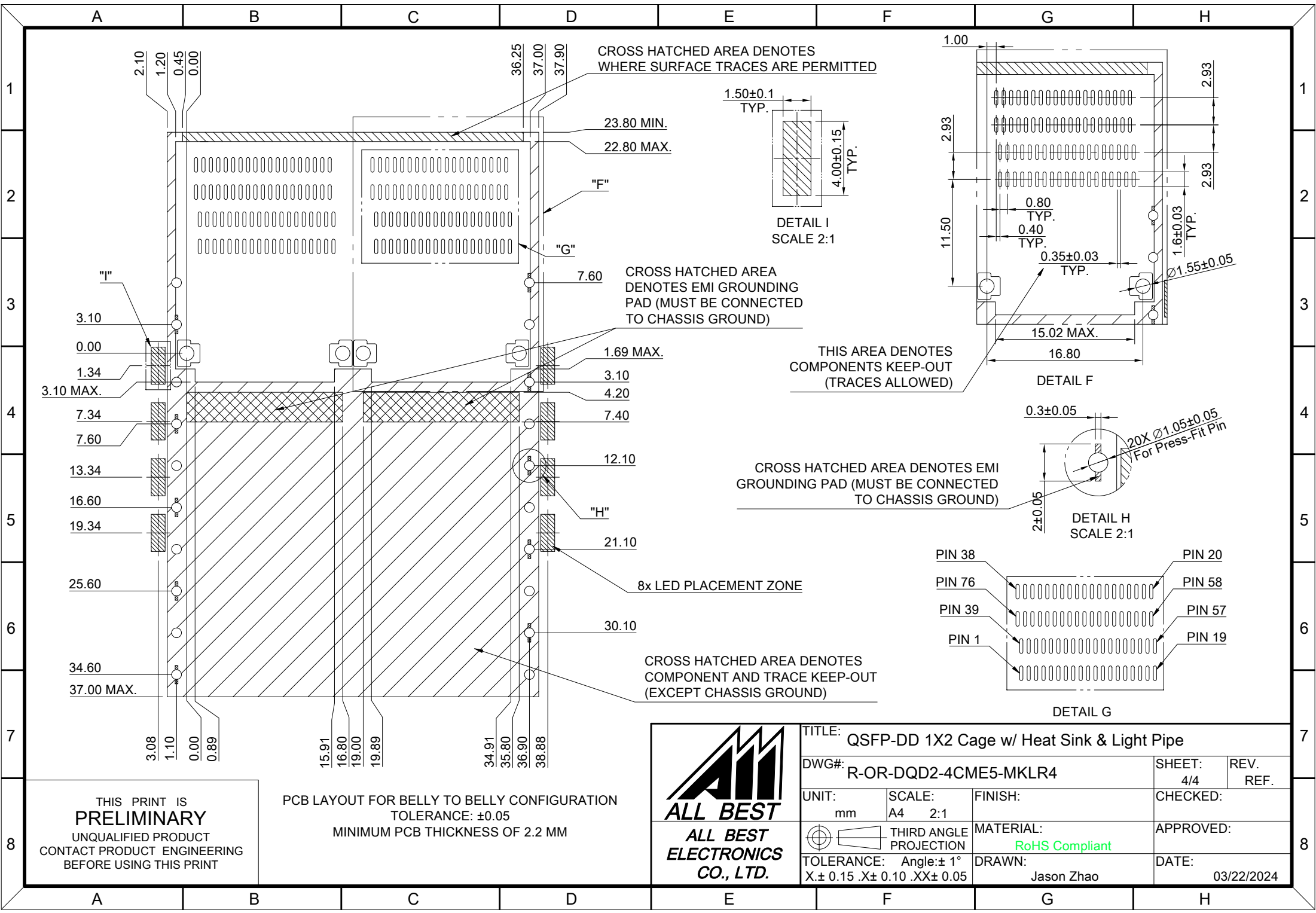
CROSS HATCHED AREA DENOTES COMPONENT AND TRACE KEEP-OUT (EXCEPT CHASSIS GROUND)

THIS PRINT IS
PRELIMINARY
UNQUALIFIED PRODUCT
CONTACT PRODUCT ENGINEERING
BEFORE USING THIS PRINT

PCB LAYOUT FOR SINGLE-SIDE CONFIGURATION
TOLERANCE: ±0.05
MINIMUM PCB THICKNESS OF 1.6 MM



TITLE: QSFP-DD 1X2 Cage w/ Heat Sink & Light Pipe			
DWG#: R-OR-DQD2-4CME5-MKLR4		SHEET: 3/4	REV. REF.
UNIT: mm	SCALE: A4 2:1	FINISH:	
THIRD ANGLE PROJECTION		MATERIAL: RoHS Compliant	
TOLERANCE: X±0.15 .X±0.10 .XX±0.05		DRAWN: Jason Zhao	DATE: 03/22/2024
CHECKED:		APPROVED:	



THIS PRINT IS
PRELIMINARY
 UNQUALIFIED PRODUCT
 CONTACT PRODUCT ENGINEERING
 BEFORE USING THIS PRINT

PCB LAYOUT FOR BELLY TO BELLY CONFIGURATION
 TOLERANCE: ± 0.05
 MINIMUM PCB THICKNESS OF 2.2 MM



TITLE: QSFP-DD 1X2 Cage w/ Heat Sink & Light Pipe			
DWG#: R-OR-DQD2-4CME5-MKLR4		SHEET: 4/4	REV. REF.
UNIT: mm	SCALE: A4 2:1	FINISH:	CHECKED:
THIRD ANGLE PROJECTION		MATERIAL: RoHS Compliant	APPROVED:
TOLERANCE: Angle: $\pm 1^\circ$ X ± 0.15 .X ± 0.10 .XX ± 0.05		DRAWN: Jason Zhao	DATE: 03/22/2024