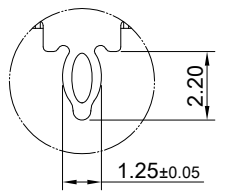
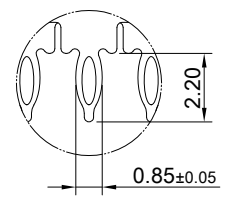


A B C D E F G H

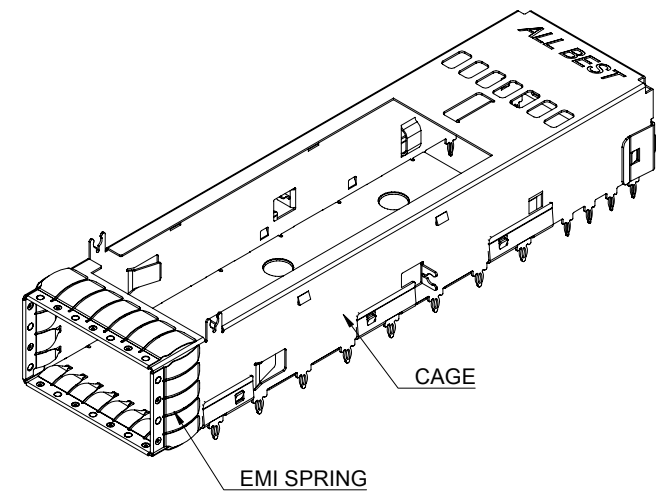
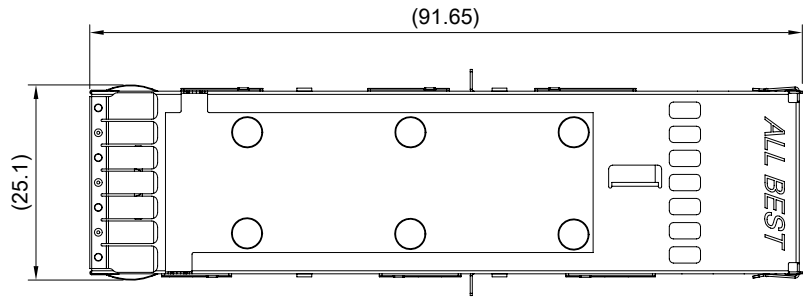
1
2
3
4
5
6
7
8



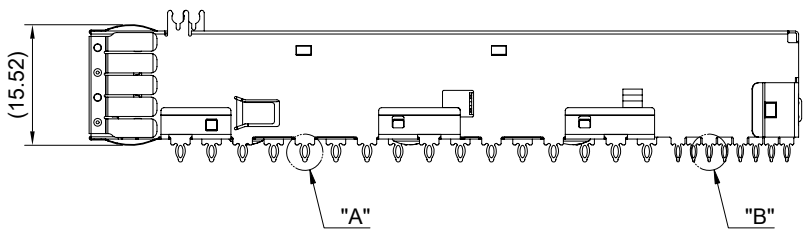
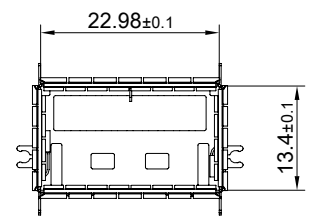
DETAIL A
SCALE 4:1




DETAIL B
SCALE 4:1

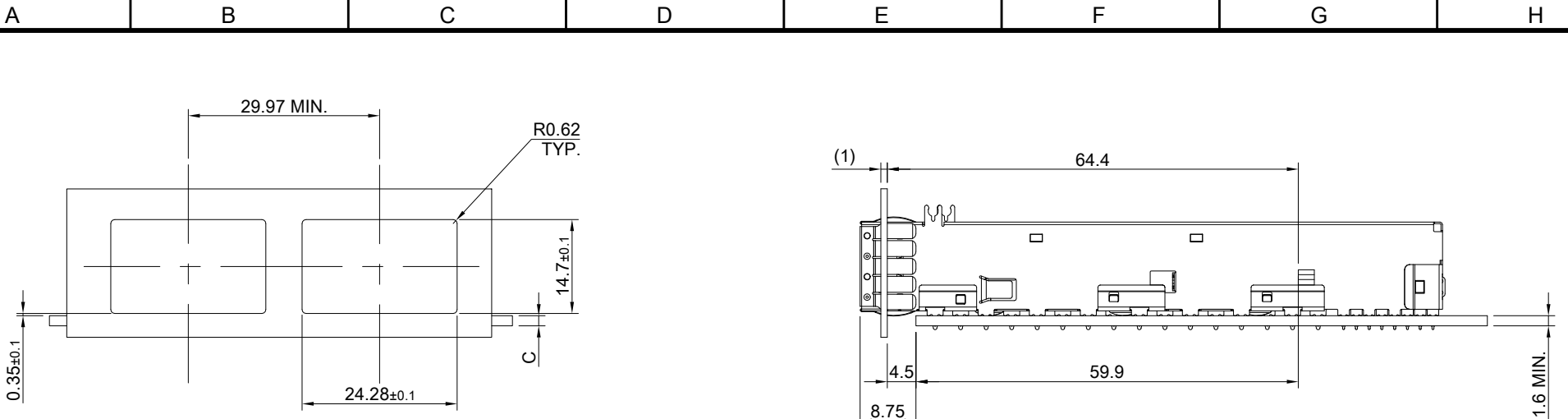


MATERIAL
CAGE: NICKEL SILVER
EMI SPRING: STAINLESS STEEL

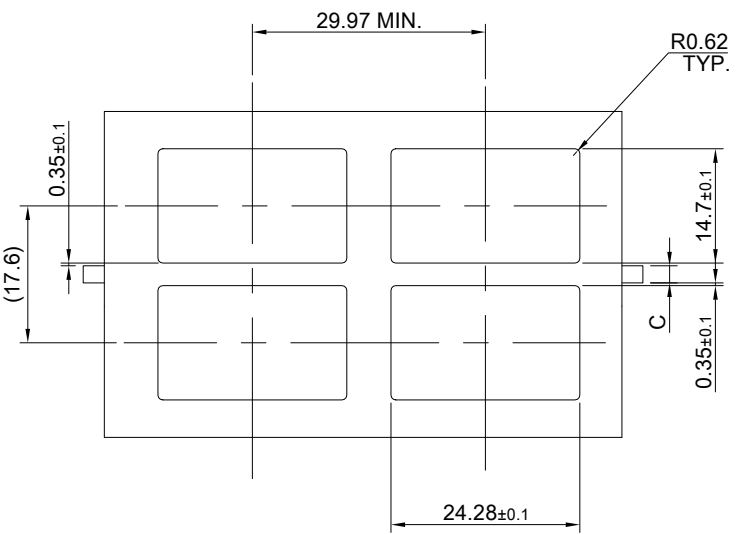


	TITLE: OSFP 1X1 Cage Assembly			SHEET: 1/4		REV. B	
	DWG#: H-OR-OS1-4CMX8			CHECKED: Gary Kang		APPROVED: George Yang	
	UNIT: mm	SCALE: A4 1:1	FINISH:	MATERIAL: RoHS, HF Compliant		DATE: 11/15/2022	
	TOLERANCE: Angle: ± 1°		DRAWN: Kent				
	X.± 0.25 .X± 0.20 .XX± 0.15						

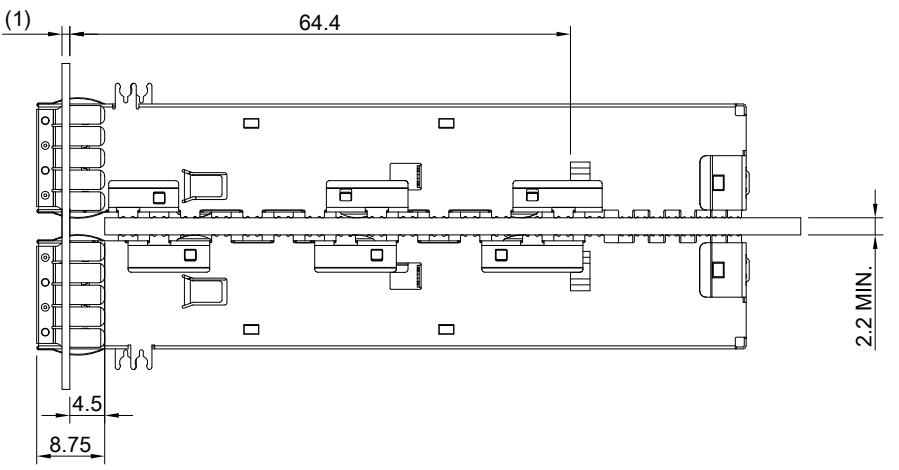
A B C D E F G H



SINGLE-SIDE CONFIGURATION



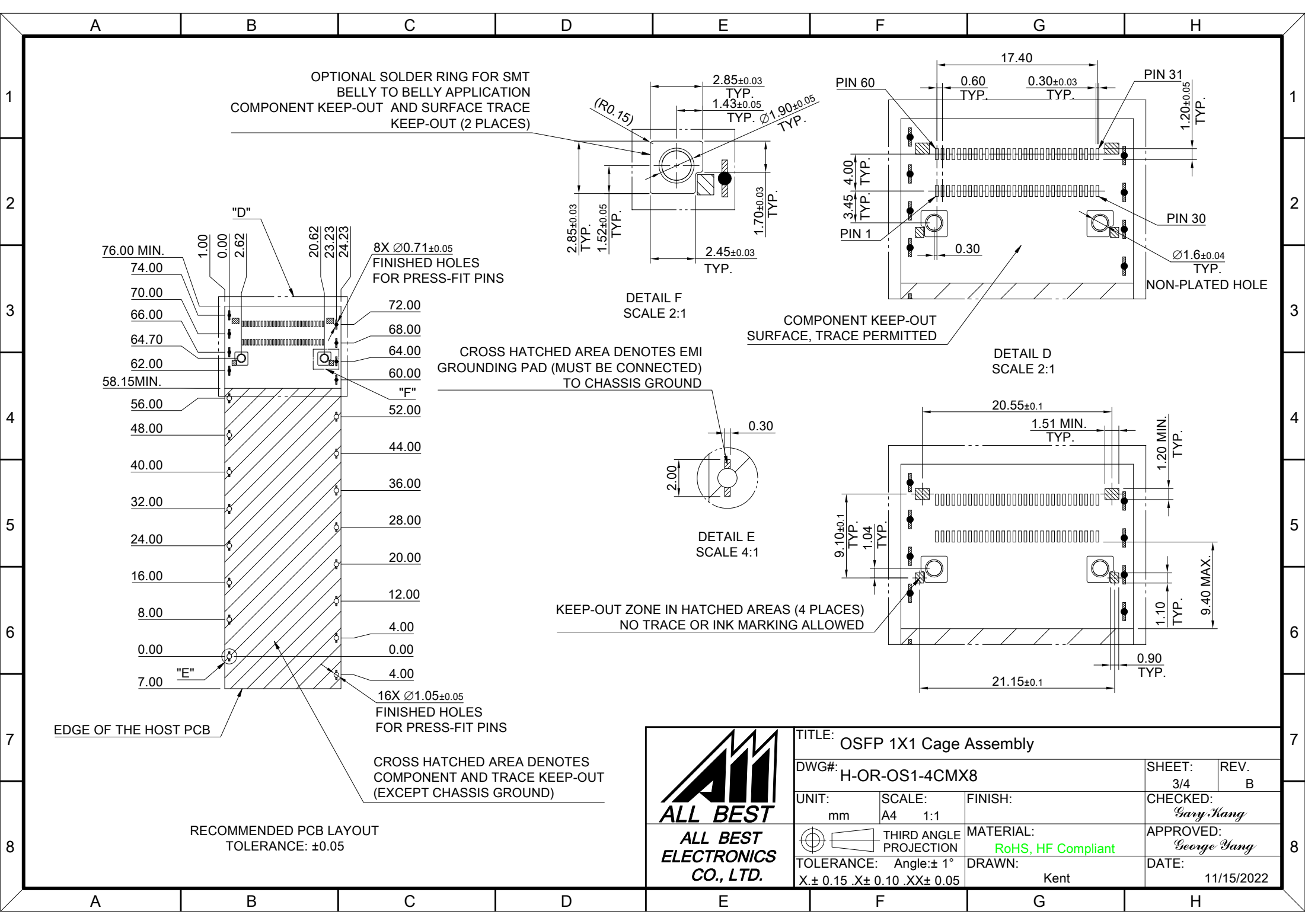
BELLY TO BELLY CONFIGURATION



C = THICKNESS OF PC BOARD
 SINGLE-SIDE = 1.6 MM (MIN.)
 BELLY TO BELLY = 2.2MM (MIN.)

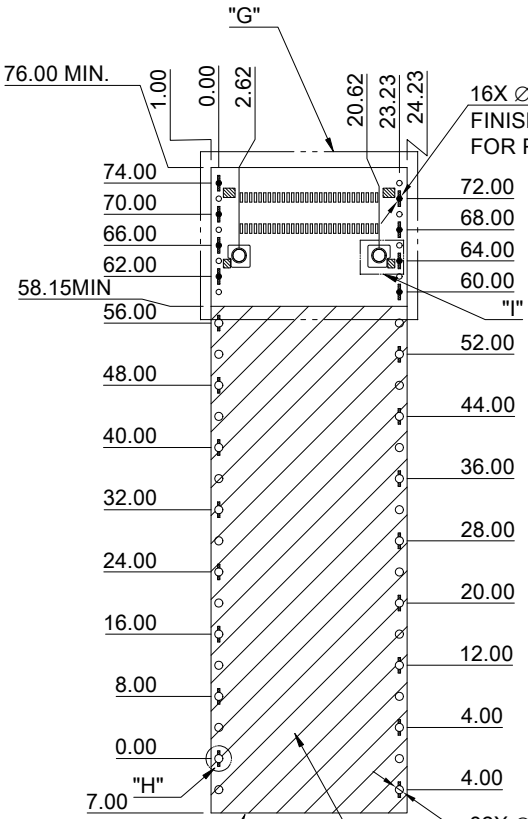
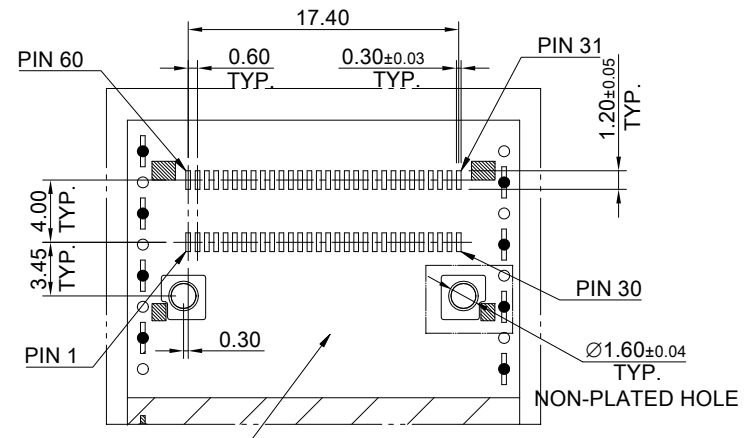
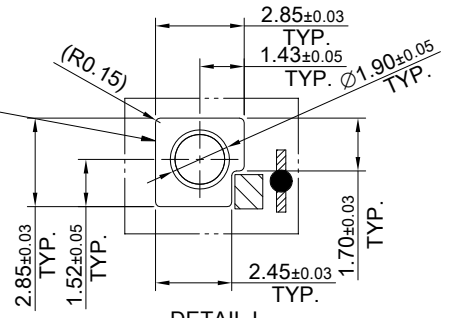


TITLE: OSFP 1X1 Cage Assembly		SHEET: 2/4	REV. B
DWG#: H-OR-OS1-4CMX8		CHECKED: Gary Kang	
UNIT: mm	SCALE: A4 1:1	APPROVED: George Yang	
THIRD ANGLE PROJECTION		DATE: 11/15/2022	
TOLERANCE: Angle: ± 1° X ± 0.15 .X ± 0.10 .XX ± 0.05		DRAWN: Kent	
MATERIAL: RoHS, HF Compliant			

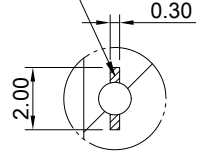


TITLE: OSFP 1X1 Cage Assembly			
DWG#: H-OR-OS1-4CMX8		SHEET: 3/4	REV. B
UNIT: mm	SCALE: A4 1:1	CHECKED: Gary Kang	
TOLERANCE: Angle: $\pm 1^\circ$ X ± 0.15 .X ± 0.10 .XX ± 0.05		MATERIAL: RoHS, HF Compliant	APPROVED: George Yang
THIRD ANGLE PROJECTION		DRAWN: Kent	DATE: 11/15/2022

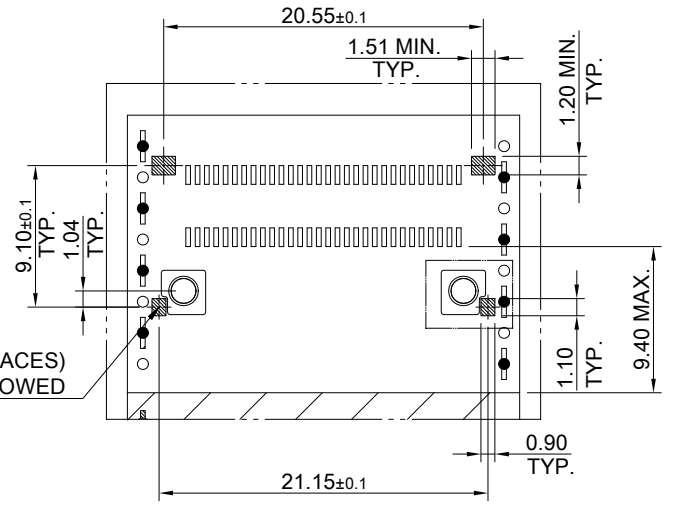
OPTIONAL SOLDER RING FOR SMT BELLY TO BELLY APPLICATION
COMPONENT KEEP-OUT AND SURFACE TRACE KEEP-OUT (2 PLACES)



CROSS HATCHED AREA DENOTES EMI GROUNDING PAD (MUST BE CONNECTED TO CHASSIS GROUND)



KEEP-OUT ZONE IN HATCHED AREAS (4 PLACES)
NO TRACE OR INK MARKING ALLOWED



CROSS HATCHED AREA DENOTES COMPONENT AND TRACE KEEP-OUT (EXCEPT CHASSIS GROUND)

RECOMMENDED PCB LAYOUT
TOLERANCE: ±0.05

EDGE OF THE HOST PCB

16X Ø0.71±0.05 FINISHED HOLES FOR PRESS-FIT PINS

32X Ø1.05±0.05 FINISHED HOLES FOR PRESS-FIT PINS



TITLE: OSFP 1X1 Cage Assembly			
DWG#: H-OR-OS1-4CMX8		SHEET: 4/4	REV. B
UNIT: mm	SCALE: A4 1:1	CHECKED: Gary Kang	
THIRD ANGLE PROJECTION		APPROVED: George Yang	
TOLERANCE: Angle: ± 1°		DATE: 11/15/2022	
X.± 0.15 .X± 0.10 .XX± 0.05		DRAWN: Kent	

MATERIAL: RoHS, HF Compliant