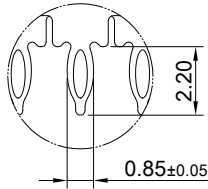
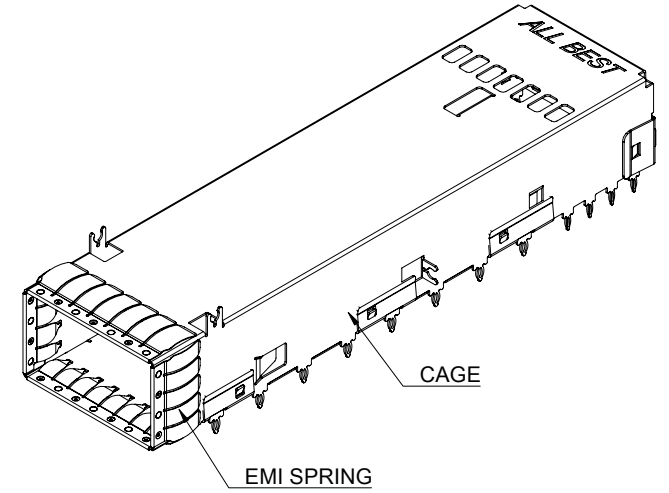
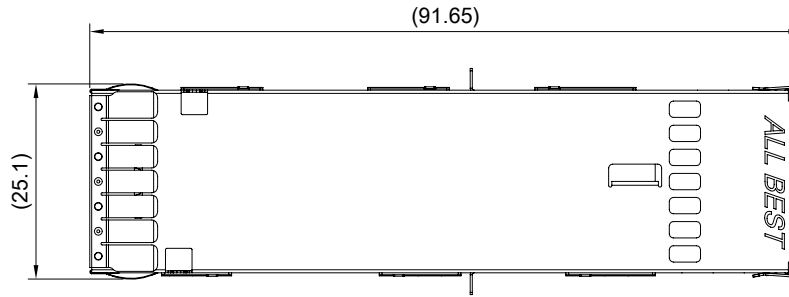


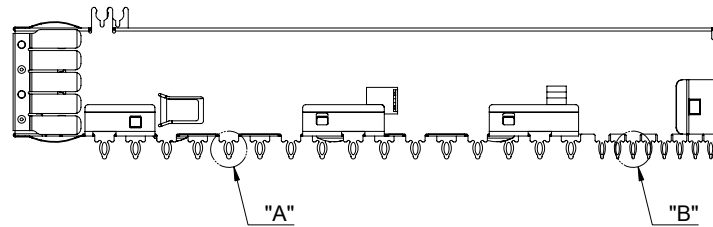
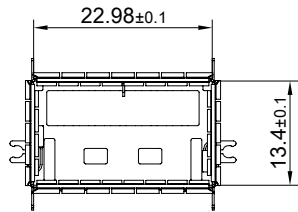
DETAIL A  
SCALE 4:1



DETAIL B  
SCALE 4:1



MATERIAL  
CAGE: NICKEL SILVER  
EMI SPRING: STAINLESS STEEL



TITLE: OSFP 1X1 Cage Assembly

DWG#: H-OR-OS1-4CMX7

UNIT: mm

SCALE: A4 1:1

FINISH:

SHEET: 1/4  
REV. B

THIRD ANGLE PROJECTION

MATERIAL: RoHS, HF Compliant

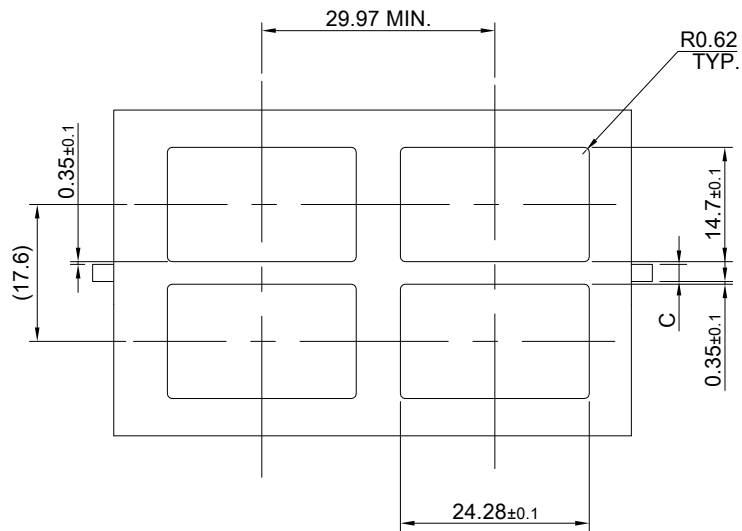
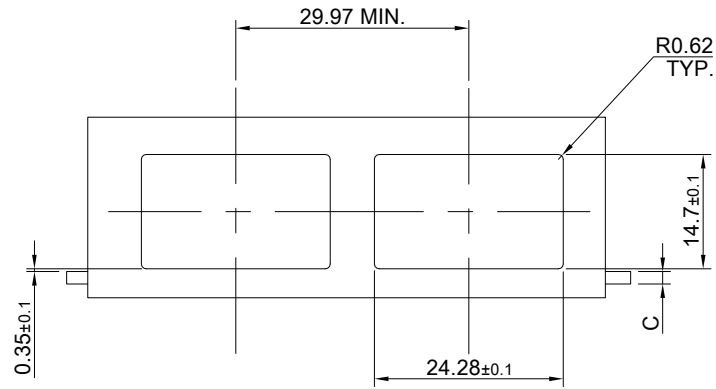
CHECKED: Gary Kang

APPROVED: George Yang

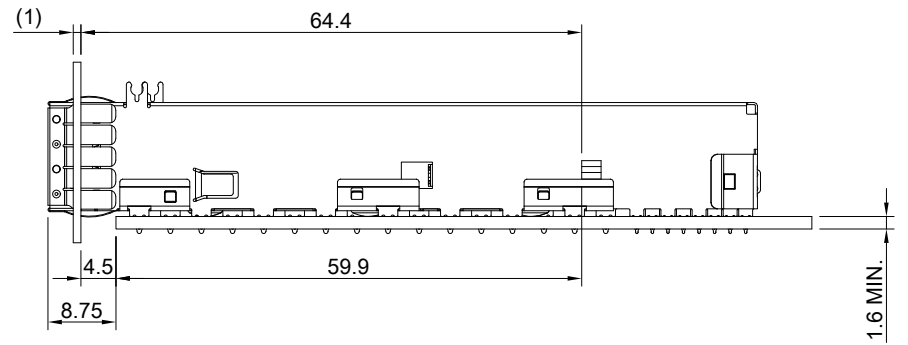
TOLERANCE: Angle: ± 1°  
X ± 0.25 .X ± 0.20 .XX ± 0.15

DRAWN: Kent

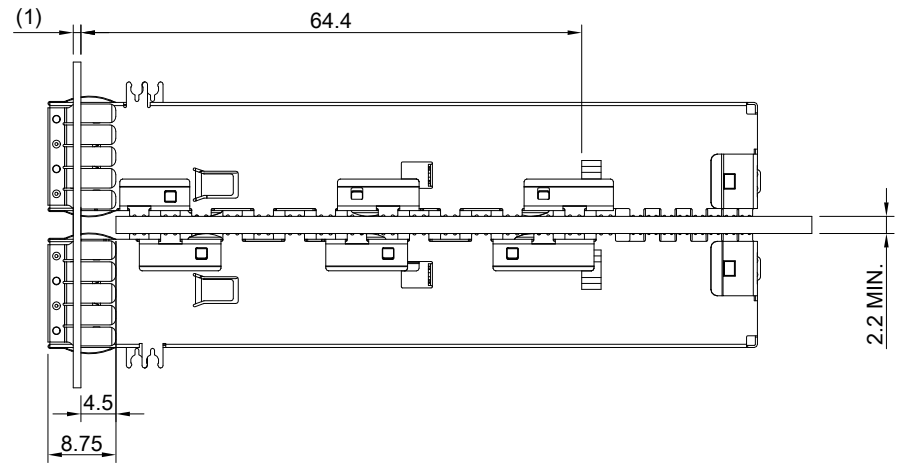
DATE: 11/15/2022




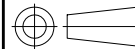
C = THICKNESS OF PC BOARD  
 SINGLE-SIDE = 1.6 MM (MIN.)  
 BELLY TO BELLY = 2.2MM (MIN.)

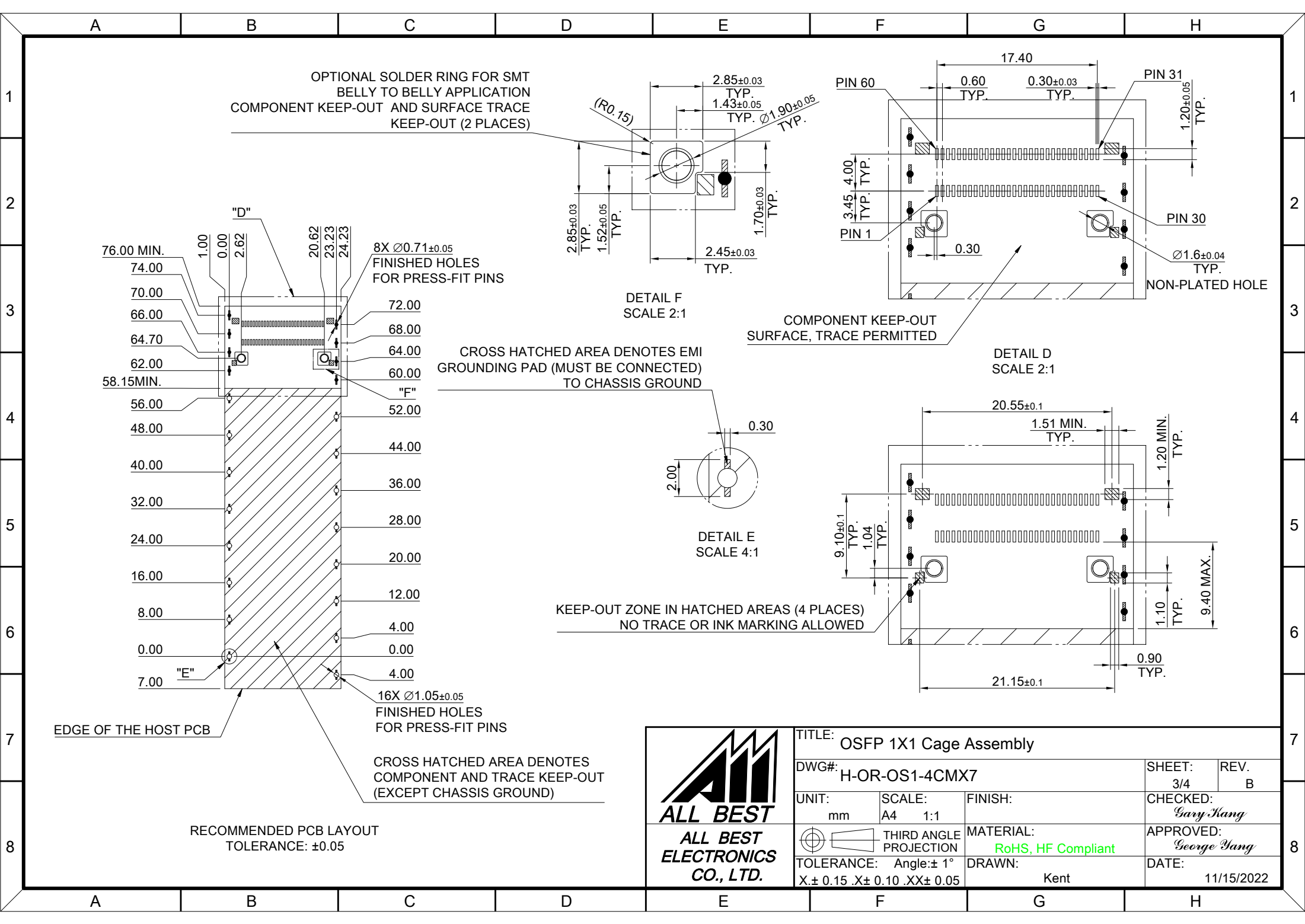


SINGLE-SIDE CONFIGURATION



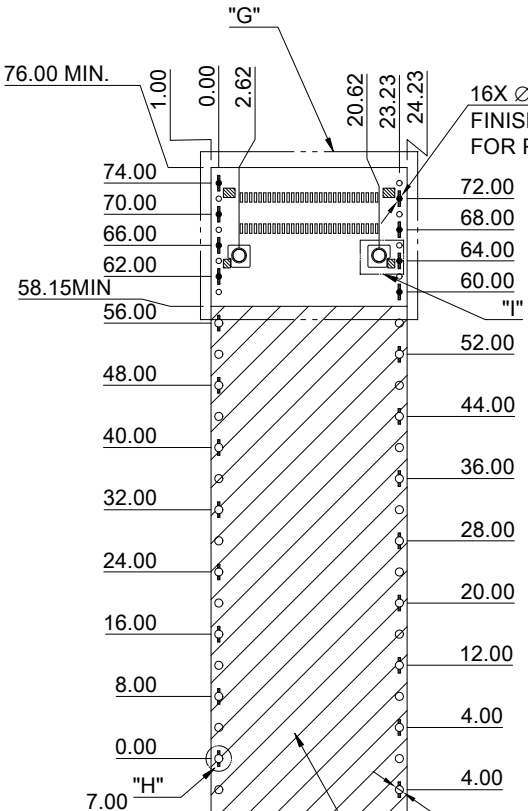
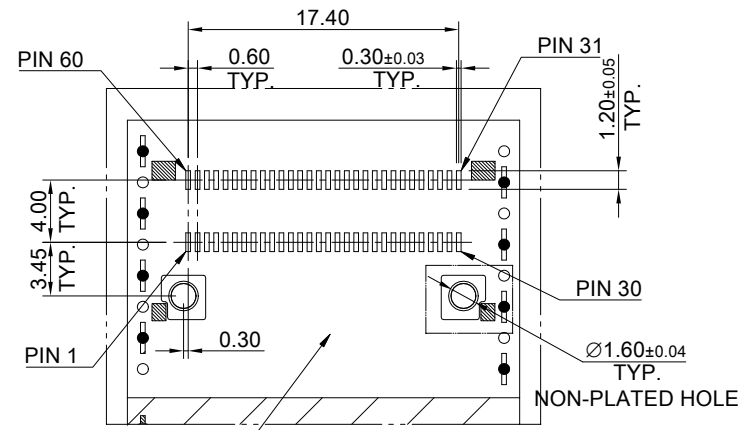
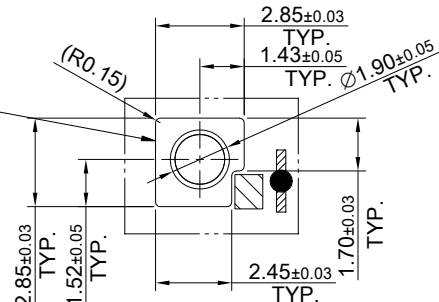
BELLY TO BELLY CONFIGURATION

 <b>ALL BEST</b> <b>ELECTRONICS</b> <b>CO., LTD.</b>	TITLE: OSFP 1X1 Cage Assembly		SHEET:	REV.	
	DWG#: H-OR-OS1-4CMX7		2/4	B	
	UNIT:	SCALE:	FINISH:	CHECKED:	
	mm	A4 1:1		<i>Gary Kang</i>	
 THIRD ANGLE PROJECTION		MATERIAL:	APPROVED:		
TOLERANCE: Angle: ± 1°		RoHS, HF Compliant	<i>George Yang</i>		
X ± 0.15 .X ± 0.10 .XX ± 0.05		DRAWN:	DATE:		
		Kent	11/15/2022		

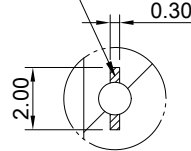


TITLE: OSFP 1X1 Cage Assembly			
DWG#: H-OR-OS1-4CMX7		SHEET: 3/4	REV. B
UNIT: mm	SCALE: A4 1:1	CHECKED: Gary Kang	
THIRD ANGLE PROJECTION		APPROVED: George Yang	
TOLERANCE: Angle: $\pm 1^\circ$		DATE: 11/15/2022	
X. $\pm 0.15$ .X $\pm 0.10$ .XX $\pm 0.05$		DRAWN: Kent	

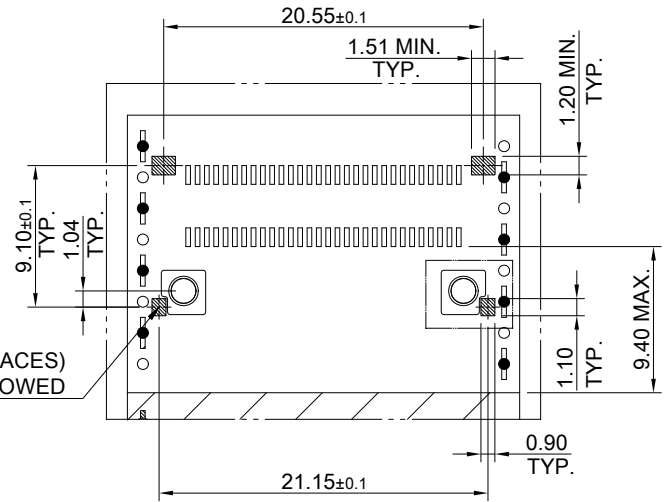
OPTIONAL SOLDER RING FOR SMT BELLY TO BELLY APPLICATION  
COMPONENT KEEP-OUT AND SURFACE TRACE KEEP-OUT (2 PLACES)



CROSS HATCHED AREA DENOTES EMI GROUNDING PAD (MUST BE CONNECTED TO CHASSIS GROUND)



KEEP-OUT ZONE IN HATCHED AREAS (4 PLACES)  
NO TRACE OR INK MARKING ALLOWED



CROSS HATCHED AREA DENOTES COMPONENT AND TRACE KEEP-OUT (EXCEPT CHASSIS GROUND)

RECOMMENDED PCB LAYOUT  
TOLERANCE: ±0.05

EDGE OF THE HOST PCB

16X Ø0.71±0.05 FINISHED HOLES FOR PRESS-FIT PINS

32X Ø1.05±0.05 FINISHED HOLES FOR PRESS-FIT PINS



TITLE: OSFP 1X1 Cage Assembly		SHEET: 4/4	REV. B
DWG#: H-OR-OS1-4CMX7		CHECKED: Gary Kang	
UNIT: mm	SCALE: A4 1:1	APPROVED: George Yang	
FINISH:		MATERIAL: RoHS, HF Compliant	
THIRD ANGLE PROJECTION		DRAWN: Kent	
TOLERANCE: Angle: ± 1° X.± 0.15 .X± 0.10 .XX± 0.05		DATE: 11/15/2022	