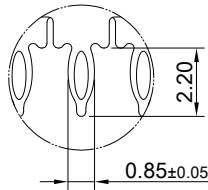
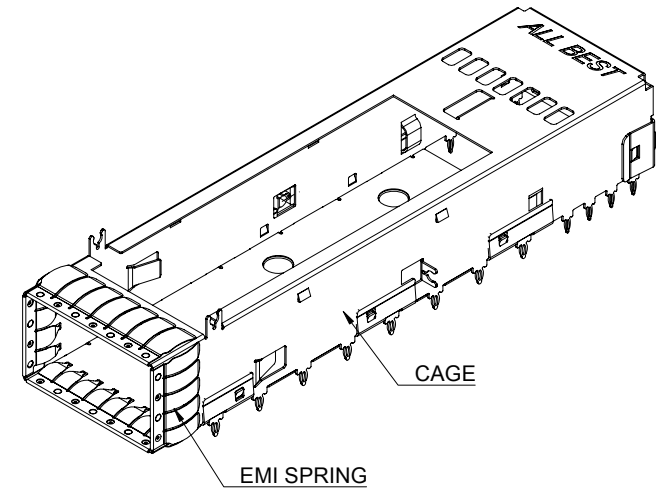
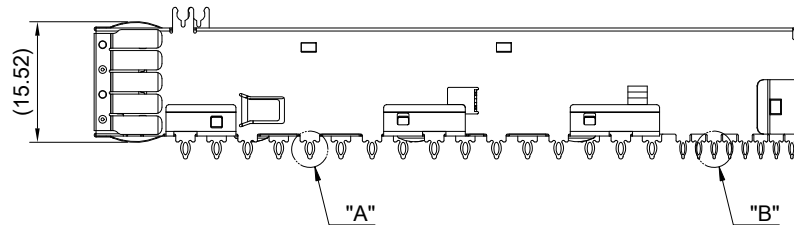
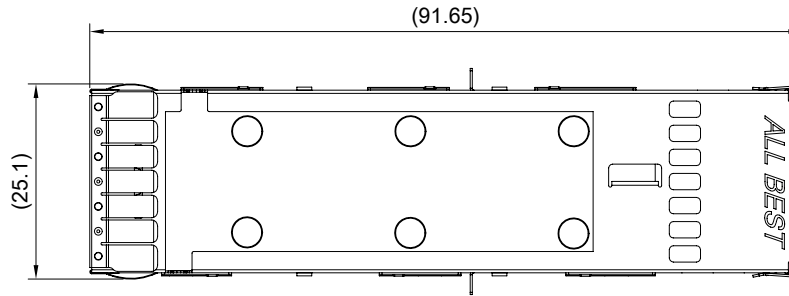
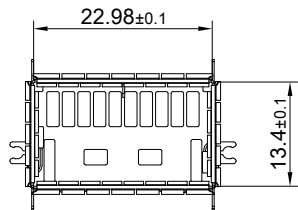


DETAIL A  
SCALE 4:1

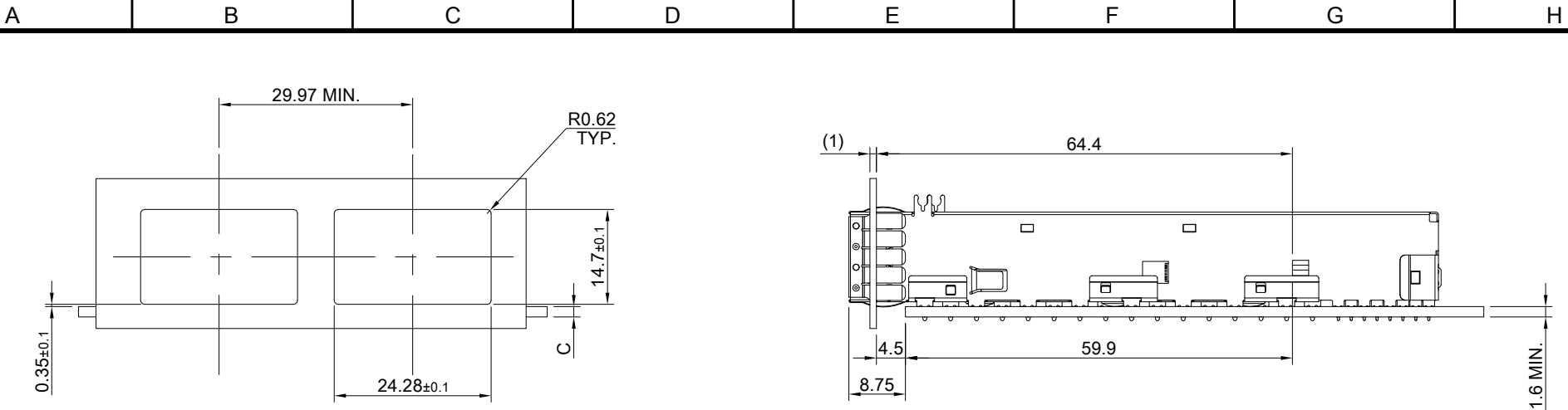


DETAIL B  
SCALE 4:1

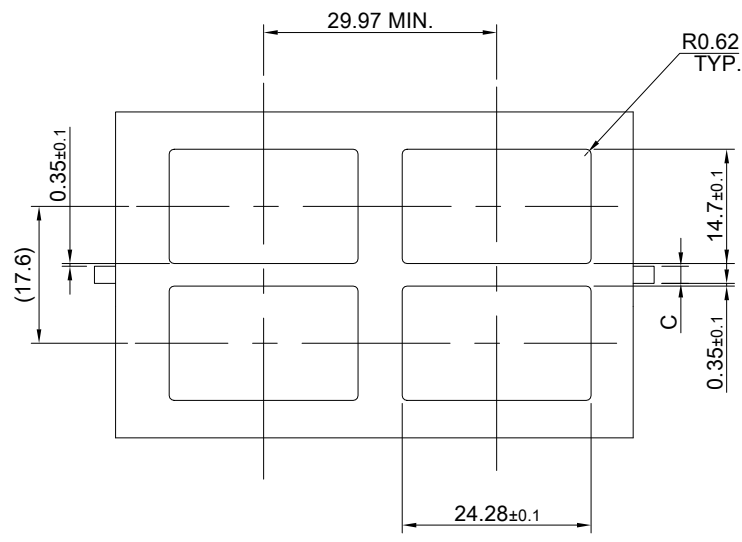


MATERIAL  
CAGE: NICKEL SILVER  
EMI SPRING: STAINLESS STEEL

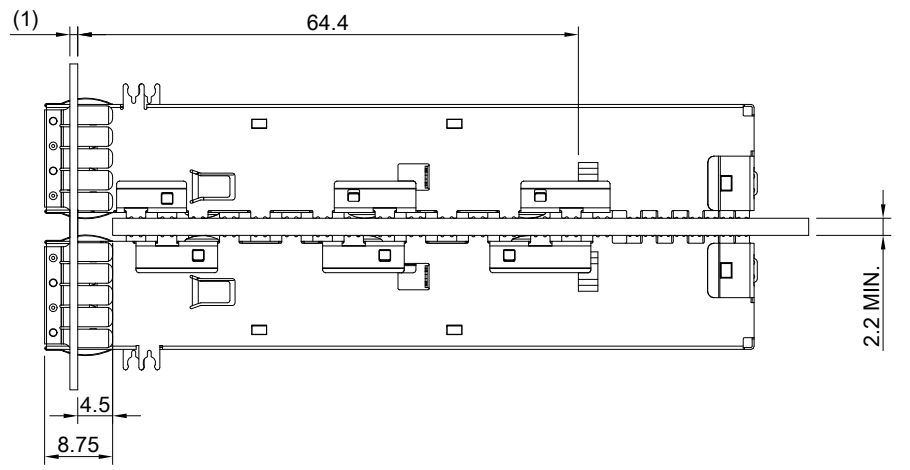
|  |   |                |                                 |                                 |
|--|---|----------------|---------------------------------|---------------------------------|
|  | TITLE: OSFP 1X1 Cage Assembly                         |                | SHEET:                          | REV.                            |
|  | DWG#: H-OR-OS1-4CMX4                                  |                | 1/4                             | B                               |
|  | UNIT:   | SCALE:         | FINISH:                         |                                 |
|  | mm  | A4 1:1         | CHECKED:<br><i>Gary Kang</i>    |                                 |
|  | TOLERANCE: Angle: ± 1°<br>X.± 0.25 .X± 0.20 .XX± 0.15 |                | MATERIAL:<br>RoHS, HF Compliant | APPROVED:<br><i>George Yang</i> |
|  |   | DRAWN:<br>Kent | DATE:<br>11/15/2022             |                                 |



SINGLE-SIDE CONFIGURATION



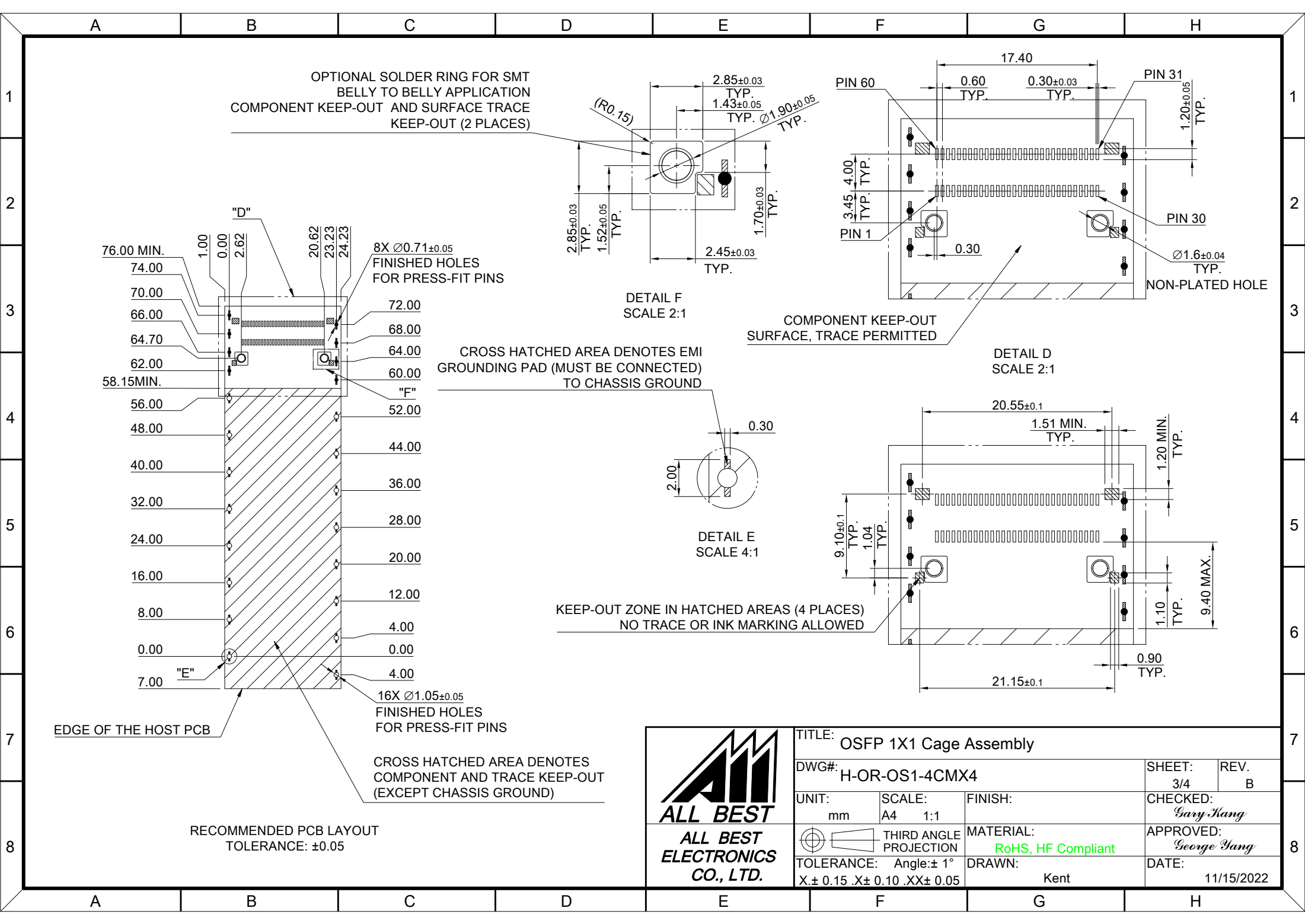
BELLY TO BELLY CONFIGURATION



C = THICKNESS OF PC BOARD  
 SINGLE-SIDE = 1.6 MM (MIN.)  
 BELLY TO BELLY = 2.2MM (MIN.)

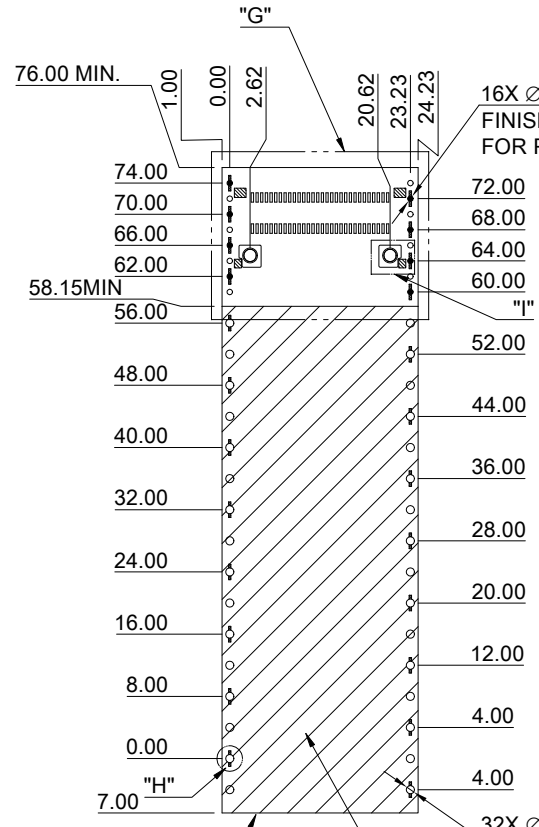
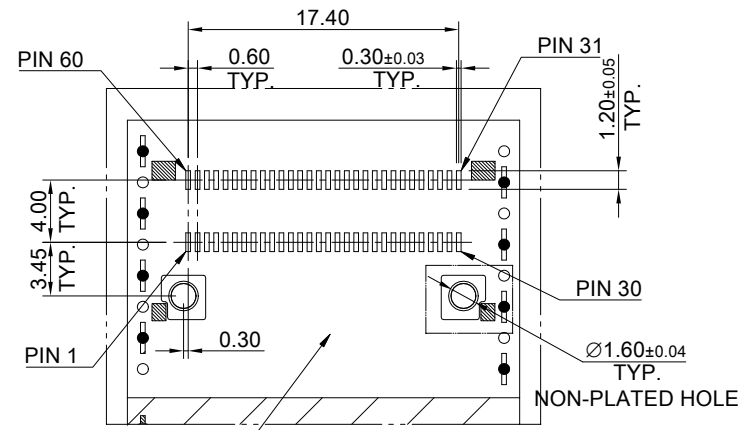
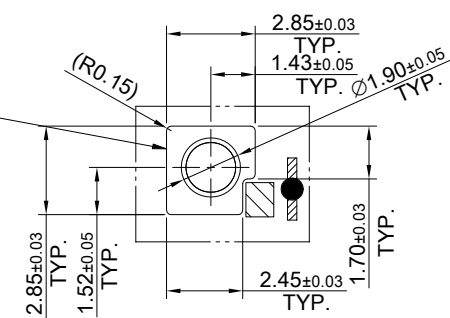


|   |               |                              |                       |
|---|---------------|------------------------------|-----------------------|
| TITLE: OSFP 1X1 Cage Assembly                           |               |                              |                       |
| DWG#: H-OR-OS1-4CMX4                                    |               | SHEET: 2/4                   | REV. B                |
| UNIT: mm  | SCALE: A4 1:1 | FINISH:                      | CHECKED: Gary Kang    |
| THIRD ANGLE PROJECTION                                  |               | MATERIAL: RoHS, HF Compliant | APPROVED: George Yang |
| TOLERANCE: Angle: ± 1°<br>X ± 0.15 .X ± 0.10 .XX ± 0.05 |               | DRAWN: Kent                  | DATE: 11/15/2022      |

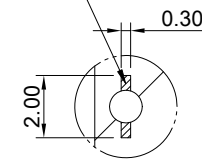


|  |               |                       |        |
|--|---------------|-----------------------|--------|
| TITLE: OSFP 1X1 Cage Assembly              |               |                       |        |
| DWG#: H-OR-OS1-4CMX4                       |               | SHEET: 3/4            | REV. B |
| UNIT: mm                                   | SCALE: A4 1:1 | CHECKED: Gary Kang    |        |
| THIRD ANGLE PROJECTION                     |               | APPROVED: George Yang |        |
| TOLERANCE: Angle: $\pm 1^\circ$            |               | DATE: 11/15/2022      |        |
| X. $\pm 0.15$ .X $\pm 0.10$ .XX $\pm 0.05$ |               | DRAWN: Kent           |        |

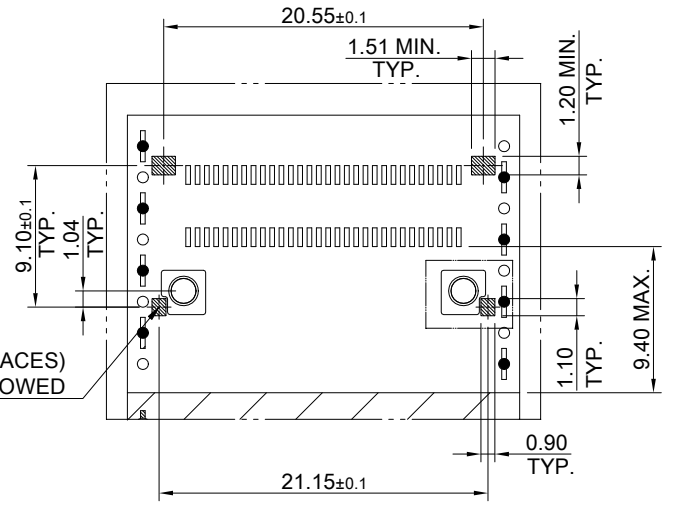
OPTIONAL SOLDER RING FOR SMT BELLY TO BELLY APPLICATION  
COMPONENT KEEP-OUT AND SURFACE TRACE KEEP-OUT (2 PLACES)



CROSS HATCHED AREA DENOTES EMI GROUNDING PAD (MUST BE CONNECTED) TO CHASSIS GROUND



KEEP-OUT ZONE IN HATCHED AREAS (4 PLACES)  
NO TRACE OR INK MARKING ALLOWED



EDGE OF THE HOST PCB

32X  $\varnothing 1.05 \pm 0.05$  FINISHED HOLES FOR PRESS-FIT PINS

CROSS HATCHED AREA DENOTES COMPONENT AND TRACE KEEP-OUT (EXCEPT CHASSIS GROUND)

RECOMMENDED PCB LAYOUT  
TOLERANCE:  $\pm 0.05$



|  |               |                       |        |
|--|---------------|-----------------------|--------|
| TITLE: OSFP 1X1 Cage Assembly              |               |                       |        |
| DWG#: H-OR-OS1-4CMX4                       |               | SHEET: 4/4            | REV. B |
| UNIT: mm                                   | SCALE: A4 1:1 | CHECKED: Gary Kang    |        |
| THIRD ANGLE PROJECTION                     |               | APPROVED: George Yang |        |
| TOLERANCE: Angle: $\pm 1^\circ$            |               | DATE: 11/15/2022      |        |
| X. $\pm 0.15$ .X $\pm 0.10$ .XX $\pm 0.05$ |               | DRAWN: Kent           |        |